



ST7687S

**128RGB x 128 dot 65K Color with Frame Memory
Single-Chip CSTN Controller/Driver**

Datasheet

**Version 1.4
2009/10**

Sitronix Technology Corporation

Sitronix Technology Corp. reserves the right to change the contents in this document without prior notice.

LIST OF CONTENT

1. INTRODUCTION..... 8

2. FEATURES 9

3. ST7687S PAD ARRANGEMENT (COG)..... 10

4. PAD CENTER COORDINATES 11

5. BLOCK DIAGRAM 21

6. PIN DESCRIPTION..... 22

6.1 Power Supply..... 22

6.2 LCD Power Supply Pins..... 23

6.3 System Control 24

6.4 Microprocessor Interface 25

6.5 LCD Driver Outputs..... 27

6.6 Test Pins 28

7. FUNCTIONAL DESCRIPTION..... 30

7.1 Microprocessor Interface 30

7.2 Selecting Parallel / Serial Interface 31

7.2.1 8-bit Parallel Interface..... 31

7.2.2 8- and 9-bit Serial Interface 32

7.2.3 8-bit and 9-bit Serial Interface Data Color Coding..... 35

7.3 Access to DDRAM and Internal Rrgisters 36

7.4 Display Data RAM (DDRAM) 37

7.4.1 DDRAM..... 37

7.4.2 Address Control..... 37

7.4.3 I/O Buffer Circuit 40

7.4.4 Scroll Address Circuit 40

7.4.5 Display data Latch Circuit..... 40

7.4.6 Normal Display On or Partial Mode On, Vertical Scroll Off 40

7.4.7 Vertical Scroll/Rolling Scroll..... 42

7.4.8 Tearing Effect Output Line..... 45

7.5 Gray-Scale Display 47

7.6 Oscillation circuit..... 47

7.7 Display Timing Generator Circuit 47

7.8 Power Level Definition 49

7.8.1 Power ON/OFF SEQUENCE 49

7.8.2 Power Levels 50

7.9 Liquid Crystal Driver Power Circuit 51

7.9.1 Voltage Regulator Circuits..... 51

7.9.2 Voltage Follower Circuits..... 55

7.9.3.	EEPROM Setting Flow	55
7.10	Frequency Temperature Gradient Compensation Coefficient	56
7.11	Reset Circuit	57
8.	INSTRUCTIONS	58
8.1	Instruction table.....	58
8.1.1.	NOP (00h).....	63
8.1.2.	SWRESET: Software Reset (01h)	64
8.1.3.	RDDST: Read Display Status (09h).....	65
8.1.4.	RDDPM: Read Display Power Mode (0Ah)	67
8.1.5.	RDDMADCTR: Read Display MADCTR (0Bh).....	69
8.1.6.	RDDCOLMOD: Read Display Pixel Format (0Ch)	71
8.1.7.	RDDIM: Read Display Image Mode (0Dh)	73
8.1.8.	RDDSM: Read Display Signal Mode (0Eh).....	75
8.1.9.	SLPIN: Sleep In (10h).....	77
8.1.10.	SLPOUT: Sleep Out (11h).....	79
8.1.11.	PTLON: Partial Display Mode On (12h).....	81
8.1.12.	NORON: Normal Display Mode On (13h).....	82
8.1.13.	INVOFF: Display Inversion Off (20h).....	83
8.1.14.	INVON: Display Inversion On (21h).....	84
8.1.15.	APOFF: All Pixels Off (22h) (Only for Test Purposes)	86
8.1.16.	APON: All Pixels On (23h) (Only for Test Purposes)	88
8.1.17.	WRCNTR: Write Contrast (25h)	90
8.1.18.	DISPOFF: Display Off (28h)	91
8.1.19.	DISPON: Display On (29h).....	93
8.1.20.	CASET: Column Address Set (2Ah).....	95
8.1.21.	RASET: Row Address Set (2Bh).....	97
8.1.22.	RAMWR: Memory Write (2Ch)	99
8.1.23.	RAMRO : Memory Read (2EH)	100
8.1.24.	PTLAR: Partial Area (30h)	102
8.1.25.	SCRLAR: Scroll Area (33h)	105
8.1.26.	TEOFF: Tearing Effect Line OFF (34h).....	108
8.1.27.	TEON: Tearing Effect Line ON (35h)	109
8.1.28.	MADCTR: Memory Data Access Control (36h)	111
8.1.29.	VSCSAD: Vertical Scroll Start Address of RAM (37h).....	113
8.1.30.	IDMOFF: Idle Mode Off (38h).....	115
8.1.31.	IDMON: Idle Mode On (39h).....	116
8.1.32.	COLMOD: Interface Pixel Format (3Ah).....	118
8.1.33.	RDID: Read ID Value (DAh)	120

8.1.34. DutySet: Display Duty setting (B0H)..... 121

8.1.35. FirstCom: First Com. Page address (B1H)..... 123

8.1.36. OscDiv: FOSC Divider (B3H)..... 125

8.1.37. NLIInvSet: N-Line control (B5H)..... 126

8.1.38. ComScanDir: Com/Seg Scan Direction for glass layout (B7H)..... 127

8.1.39. RMWIN: Read Modify Write control in (B8H)..... 128

8.1.40. RMWOUT: Read Modify Write control out (B9H)..... 129

8.1.41. DispCompStep: Display Compensation Step (BDH)..... 130

8.1.42. VopSet: Vop set (C0H)..... 131

8.1.43. VopOfsetInc: Vop Increase 1 (C1H)..... 132

8.1.44. VopOfsetDec: Vop Decrease 1 (C2H)..... 133

8.1.45. BiasSel: Bias Selection (C3H)..... 135

8.1.46. BstPmpXSel: Booster Setting (C4H)..... 137

8.1.47. VgSorSel: Vg source control (CBH)..... 139

8.1.48. IDSet : ID setting (CCH)..... 140

8.1.49. NASET: Analog circuit setting (D0H)..... 141

8.1.50. AutoLoadSet: EEPROM data auto re-load control (D7H)..... 142

8.1.51. RDTstStatus: Read IC status (DEH)..... 143

8.1.52. EEPIN: control EEPROM WR/ERS/RD (E0H)..... 144

8.1.53. EEPICOUT: EEPROM control out (E1H)..... 145

8.1.54. EEPWR: Write to EEPROM (E2H)..... 146

8.1.55. EEPID: Read from EEPROM (E3H)..... 147

8.1.56. ROMSET: Programmable rom setting (E5H)..... 148

8.1.57. LVMS: Low voltage mode setting (E8H)..... 149

8.1.58. DispComStep2: Display Compensation Step2 (ECH)..... 150

8.1.59. FRMSEL: Frame Freq. in Temperature range (F0H)..... 152

8.1.60. FRM8SEL: Frame Freq. in Temperature range (idle-8 color) (F1H)..... 154

8.1.61. TMPRNG: Temp. range set for Frame Freq. Adj. (F2H)..... 156

8.1.62. TMPHYS: Temp. Hysteresis Set for Frame Freq. Adj. (F3H)..... 158

8.1.63. TEMPSEL: Temperature Gradient Compensation Coefficient Set (F4H)..... 160

8.1.64. THYS : Temperature detection threshold(F7H)..... 162

8.1.65. Frame Set: Frame PWM Set (F9H)..... 163

8.1.66. EEPANFSEL: EEPROM Function Selection (FAH)..... 165

8.1.67. EEPERS: Erase EEPROM (FBH)..... 166

9. SPECIFICATIONS 167

9.1 Absolute Maximum Ratings 167

9.2 DC Characteristics 168

9.2.1 Basic Characteristics 168

9.2.2.	Current Consumption (Bare die)	169
10.	TIMING CHARACTERISTICS.....	170
10.1	Parallel Interface Characteristics bus (8080-series MCU)	170
10.2	Parallel Interface Characteristics bus (6800-series MCU)	171
10.3	Serial Interface Characteristics (4-pin Serial).....	172
10.4	Serial Interface Characteristics (3-pin Serial).....	173
11.	RESET TIMING.....	174
12.	THE MPU INTERFACE (REFERENCE EXAMPLES)	176

LIST OF FIGURES

Figure 1 Parallel Data Transfer Example Chart	32
Figure 2 Example of DDRAM and register access	36
Figure 3 Rolling Scroll Definition.....	42
Figure 4 AC characteristics of Tearing Effect Signal	46
Figure 5 2-frame AC Driving Waveform (Duty Ratio: 1/128)	47
Figure 6 N-Line Inversion Driving Waveform (N=10, Duty Ratio=1/128)	48
Figure 7 DC/DC Booster Block Diagram.....	51
Figure 8 Vop temperature compensation.....	53
Figure 9 V0 value control for different modules by loading EEPROM offset.....	55
Figure 10 Frame rate temperature compensation	56

LIST OF TABLES

Table 1 Parallel / Serial Interface Mode	31
Table 2 Parallel Data Transfer	31
Table 3 Frame Data Write Direction According to the MADCTR parameters (MV, MX and MY)	39
Table4 constant table	52

1. INTRODUCTION

The ST7687S is a driver & controller LSI for 65K color graphic dot-matrix liquid crystal display systems. It generates 384 Segment and 128 Common driver circuits. This chip is connected directly to a microprocessor, accepts Serial Peripheral Interface (SPI) or 8-bit parallel display data and stores in an on-chip display data RAM. It performs display data RAM read/write operation with no external operating clock to minimize power consumption. In addition, because it contains power supply circuits necessary to drive liquid crystal, it is possible to make a display system with the fewest components.

2. FEATURES

Driver Output Circuits

- ◆ 384 segment outputs / 128 common outputs

Applicable Duty Ratios

- ◆ Various partial display
- ◆ Partial window moving & data scrolling

Gray-Scale Display

- ◆ 4FRC & 31 PWM function circuit to display 64 gray-scale display
- ◆ Support 8 color mode (Idle mode)

On-chip Display Data RAM

- ◆ Capacity: 128 x 128 x 16 = 262,144 bits

Color support by Interface

- ◆ 4k colors (RGB)=(444) mode
- ◆ 65K colors (RGB)=(565) mode

Microprocessor Interface

- ◆ 8 bit parallel bi-directional interface with 6800-series or 8080-series
- ◆ 4-line serial interface
- ◆ 3-line (9-bits) serial interface

On-chip Low Power Analog Circuit

- ◆ On-chip oscillator circuit
- ◆ Voltage converter (x2~x8) with internal capacitors.
- ◆ Extremely Few Outsider Components.
- ◆ On-chip Voltage Regulator
- ◆ On-chip electronic contrast control function
- ◆ Voltage follower (LCD bias: 1/6~1/12)

Operating Voltage Range

- ◆ Supply Digital Voltage (VDD): 1.65 to 3.3V
- ◆ Supply Analog Voltage (VDD2~VDD5): 2.4 to 3.3V
- ◆ LCD driving voltage (VOP = V0 - VSS): Max: 18V

LCD Driving Voltage

- ◆ Contrast Adjustment Value is stored in the Built-In EEPROM for better display quality.

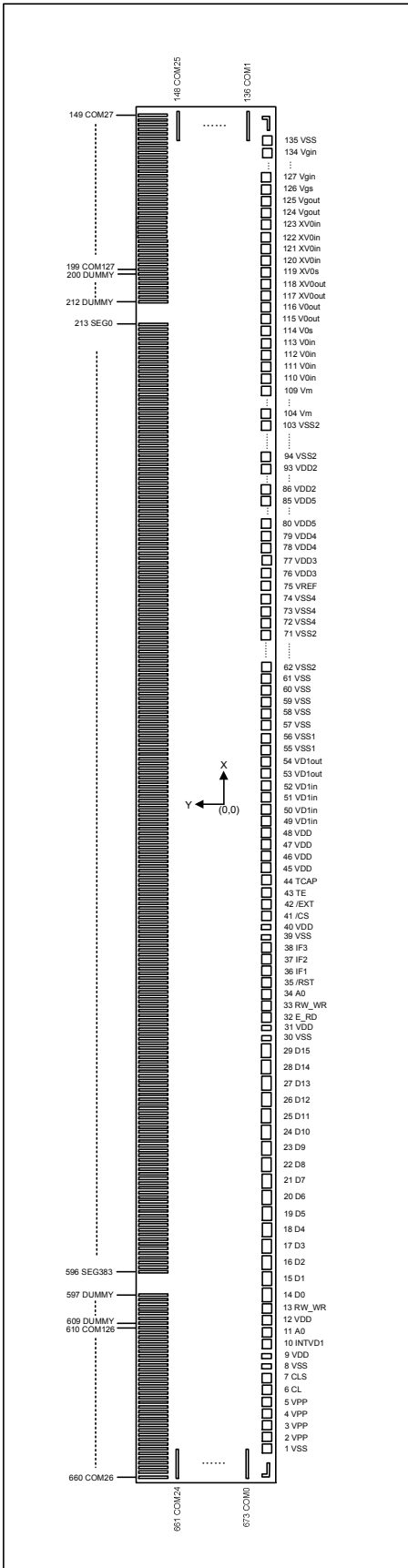
LCD Driving setting suggestion

- ◆ VOP = 14V, BIAS=1/9. (VDD=2.8V)

Package Type

- ◆ Application for COG

3. ST7687S PAD ARRANGEMENT (COG)



Chip Size :

11586 um x 686 um

Bump Pitch :

PAD 136~148, 149~212, 213~596, 597~660 661~673 pitch=22um (min, com/seg)

PAD 212~213, 596~597 pitch=110.88um (com/seg)

PAD 1~7, 10~13, 32~38, 41~57, 59~135 pitch=80um (I/O)

PAD 14~29, pitch=120um(I/O)

PAD 8~9, 30~31, 39~40, pitch=49um(I/O)

PAD 7~8, 9~10, 31~32, 38~39, 40~41, pitch=64.5um(I/O)

PAD 57~58, 58~59=75.5um(I/O)

PAD 13~14, pitch=100um(I/O)

PAD 29~30, pitch=84.5um(I/O)

Bump Size :

PAD 136~673

Bump width=10.5um (min, com/seg)

Bump space=11.5um (min, com/seg)

Bump length=166.7um(min, com/seg)

Bump area=1750.35um²(com/seg)

PAD 58

Bump width=56um(I/O)

Bump space=15um(I/O)

Bump length=59um(I/O)

Bump area=3304um²

PAD 1~7, 10~13, 32~38, 41~57, 59~135

Bump width=65um(I/O)

Bump space=15um(I/O)

Bump length=59um(I/O)

Bump area=3185um²

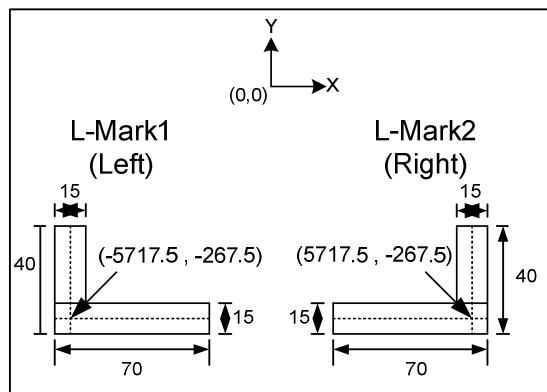
ST7687S-G4-2 (Bump Height: 15 um, Hardness: 55HV)

ST7687S-G4-3 (Bump Height: 12 um, Hardness: 90HV)

Chip Thickness: 300 um

Alignment mark

The center of alignment mark: see bellow Table



4. PAD CENTER COORDINATES

PAD	NAME	X	Y
1	VSS	-5582.5	-257.5
2	VPP	-5502.5	-257.5
3	VPP	-5422.5	-257.5
4	VPP	-5342.5	-257.5
5	VPP	-5262.5	-257.5
6	CL	-5182.5	-257.5
7	CLS	-5102.5	-257.5
8	VSS	-5038	-257.5
9	VDD	-4989	-257.5
10	INTVD1	-4924.5	-257.5
11	A0	-4844.5	-257.5
12	VDD	-4764.5	-257.5
13	RW_WR	-4684.5	-257.5
14	D0	-4584.5	-257.5
15	D1	-4464.5	-257.5
16	D2	-4344.5	-257.5
17	D3	-4224.5	-257.5
18	D4	-4104.5	-257.5
19	D5	-3984.5	-257.5
20	D6	-3864.5	-257.5
21	D7	-3744.5	-257.5
22	T1	-3624.5	-257.5
23	T2	-3504.5	-257.5
24	T3	-3384.5	-257.5
25	T4	-3264.5	-257.5
26	T5	-3144.5	-257.5
27	T6	-3024.5	-257.5
28	T7	-2904.5	-257.5
29	T8	-2784.5	-257.5
30	VSS	-2700	-257.5
31	VDD	-2651	-257.5
32	E_RD	-2586.5	-257.5
33	RW_WR	-2506.5	-257.5
34	A0	-2426.5	-257.5
35	/RST	-2346.5	-257.5

PAD	NAME	X	Y
36	IF1	-2266.5	-257.5
37	IF2	-2186.5	-257.5
38	IF3	-2106.5	-257.5
39	VSS	-2042	-257.5
40	VDD	-1993	-257.5
41	/CS	-1928.5	-257.5
42	/EXT	-1848.5	-257.5
43	TE	-1768.5	-257.5
44	TCAP	-1688.5	-257.5
45	VDD	-1608.5	-257.5
46	VDD	-1528.5	-257.5
47	VDD	-1448.5	-257.5
48	VDD	-1368.5	-257.5
49	VD1in	-1288.5	-257.5
50	VD1in	-1208.5	-257.5
51	VD1in	-1128.5	-257.5
52	VD1in	-1048.5	-257.5
53	VD1out	-968.5	-257.5
54	VD1out	-888.5	-257.5
55	VSS1	-808.5	-257.5
56	VSS1	-728.5	-257.5
57	VSS	-648.5	-257.5
58	VSS	-573	-257.5
59	VSS	-497.5	-257.5
60	VSS	-417.5	-257.5
61	VSS	-337.5	-257.5
62	VSS2	-257.5	-257.5
63	VSS2	-177.5	-257.5
64	VSS2	-97.5	-257.5
65	VSS2	-17.5	-257.5
66	VSS2	62.5	-257.5
67	VSS2	142.5	-257.5
68	VSS2	222.5	-257.5
69	VSS2	302.5	-257.5
70	VSS2	382.5	-257.5

PAD	NAME	X	Y
71	VSS2	462.5	-257.5
72	VSS4	542.5	-257.5
73	VSS4	622.5	-257.5
74	VSS4	702.5	-257.5
75	VREF	782.5	-257.5
76	VDD3	862.5	-257.5
77	VDD3	942.5	-257.5
78	VDD4	1022.5	-257.5
79	VDD4	1102.5	-257.5
80	VDD5	1182.5	-257.5
81	VDD5	1262.5	-257.5
82	VDD5	1342.5	-257.5
83	VDD5	1422.5	-257.5
84	VDD5	1502.5	-257.5
85	VDD5	1582.5	-257.5
86	VDD2	1662.5	-257.5
87	VDD2	1742.5	-257.5
88	VDD2	1822.5	-257.5
89	VDD2	1902.5	-257.5
90	VDD2	1982.5	-257.5
91	VDD2	2062.5	-257.5
92	VDD2	2142.5	-257.5
93	VDD2	2222.5	-257.5
94	VSS2	2302.5	-257.5
95	VSS2	2382.5	-257.5
96	VSS2	2462.5	-257.5
97	VSS2	2542.5	-257.5
98	VSS2	2622.5	-257.5
99	VSS2	2702.5	-257.5
100	VSS2	2782.5	-257.5
101	VSS2	2862.5	-257.5
102	VSS2	2942.5	-257.5
103	VSS2	3022.5	-257.5
104	Vm	3102.5	-257.5
105	Vm	3182.5	-257.5
106	Vm	3262.5	-257.5

PAD	NAME	X	Y
107	Vm	3342.5	-257.5
108	Vm	3422.5	-257.5
109	Vm	3502.5	-257.5
110	V0in	3582.5	-257.5
111	V0in	3662.5	-257.5
112	V0in	3742.5	-257.5
113	V0in	3822.5	-257.5
114	V0s	3902.5	-257.5
115	V0out	3982.5	-257.5
116	V0out	4062.5	-257.5
117	XV0out	4142.5	-257.5
118	XV0out	4222.5	-257.5
119	XV0s	4302.5	-257.5
120	XV0in	4382.5	-257.5
121	XV0in	4462.5	-257.5
122	XV0in	4542.5	-257.5
123	XV0in	4622.5	-257.5
124	Vgout	4702.5	-257.5
125	Vgout	4782.5	-257.5
126	Vgs	4862.5	-257.5
127	Vgin	4942.5	-257.5
128	Vgin	5022.5	-257.5
129	Vgin	5102.5	-257.5
130	Vgin	5182.5	-257.5
131	Vgin	5262.5	-257.5
132	Vgin	5342.5	-257.5
133	Vgin	5422.5	-257.5
134	Vgin	5502.5	-257.5
135	VSS	5582.5	-257.5
136	COM1	5642.23	-189.26
137	COM3	5642.23	-167.26
138	COM5	5642.23	-145.26
139	COM7	5642.23	-123.26
140	COM9	5642.23	-101.26
141	COM11	5642.23	-79.26
142	COM13	5642.23	-57.26

PAD	NAME	X	Y
143	COM15	5642.23	-35.26
144	COM17	5642.23	-13.26
145	COM19	5642.23	8.74
146	COM21	5642.23	30.74
147	COM23	5642.23	52.74
148	COM25	5642.23	74.74
149	COM27	5709.88	203.83
150	COM29	5687.88	203.83
151	COM31	5665.88	203.83
152	COM33	5643.88	203.83
153	COM35	5621.88	203.83
154	COM37	5599.88	203.83
155	COM39	5577.88	203.83
156	COM41	5555.88	203.83
157	COM43	5533.88	203.83
158	COM45	5511.88	203.83
159	COM47	5489.88	203.83
160	COM49	5467.88	203.83
161	COM51	5445.88	203.83
162	COM53	5423.88	203.83
163	COM55	5401.88	203.83
164	COM57	5379.88	203.83
165	COM59	5357.88	203.83
166	COM61	5335.88	203.83
167	COM63	5313.88	203.83
168	COM65	5291.88	203.83
169	COM67	5269.88	203.83
170	COM69	5247.88	203.83
171	COM71	5225.88	203.83
172	COM73	5203.88	203.83
173	COM75	5181.88	203.83
174	COM77	5159.88	203.83
175	COM79	5137.88	203.83
176	COM81	5115.88	203.83
177	COM83	5093.88	203.83
178	COM85	5071.88	203.83

PAD	NAME	X	Y
179	COM87	5049.88	203.83
180	COM89	5027.88	203.83
181	COM91	5005.88	203.83
182	COM93	4983.88	203.83
183	COM95	4961.88	203.83
184	COM97	4939.88	203.83
185	COM99	4917.88	203.83
186	COM101	4895.88	203.83
187	COM103	4873.88	203.83
188	COM105	4851.88	203.83
189	COM107	4829.88	203.83
190	COM109	4807.88	203.83
191	COM111	4785.88	203.83
192	COM113	4763.88	203.83
193	COM115	4741.88	203.83
194	COM117	4719.88	203.83
195	COM119	4697.88	203.83
196	COM121	4675.88	203.83
197	COM123	4653.88	203.83
198	COM125	4631.88	203.83
199	COM127	4609.88	203.83
200	DUMMY	4587.88	203.83
201	DUMMY	4565.88	203.83
202	DUMMY	4543.88	203.83
203	DUMMY	4521.88	203.83
204	DUMMY	4499.88	203.83
205	DUMMY	4477.88	203.83
206	DUMMY	4455.88	203.83
207	DUMMY	4433.88	203.83
208	DUMMY	4411.88	203.83
209	DUMMY	4389.88	203.83
210	DUMMY	4367.88	203.83
211	DUMMY	4345.88	203.83
212	DUMMY	4323.88	203.83
213	SEG0	4213	203.83
214	SEG1	4191	203.83

PAD	NAME	X	Y
215	SEG2	4169	203.83
216	SEG3	4147	203.83
217	SEG4	4125	203.83
218	SEG5	4103	203.83
219	SEG6	4081	203.83
220	SEG7	4059	203.83
221	SEG8	4037	203.83
222	SEG9	4015	203.83
223	SEG10	3993	203.83
224	SEG11	3971	203.83
225	SEG12	3949	203.83
226	SEG13	3927	203.83
227	SEG14	3905	203.83
228	SEG15	3883	203.83
229	SEG16	3861	203.83
230	SEG17	3839	203.83
231	SEG18	3817	203.83
232	SEG19	3795	203.83
233	SEG20	3773	203.83
234	SEG21	3751	203.83
235	SEG22	3729	203.83
236	SEG23	3707	203.83
237	SEG24	3685	203.83
238	SEG25	3663	203.83
239	SEG26	3641	203.83
240	SEG27	3619	203.83
241	SEG28	3597	203.83
242	SEG29	3575	203.83
243	SEG30	3553	203.83
244	SEG31	3531	203.83
245	SEG32	3509	203.83
246	SEG33	3487	203.83
247	SEG34	3465	203.83
248	SEG35	3443	203.83
249	SEG36	3421	203.83
250	SEG37	3399	203.83

PAD	NAME	X	Y
251	SEG38	3377	203.83
252	SEG39	3355	203.83
253	SEG40	3333	203.83
254	SEG41	3311	203.83
255	SEG42	3289	203.83
256	SEG43	3267	203.83
257	SEG44	3245	203.83
258	SEG45	3223	203.83
259	SEG46	3201	203.83
260	SEG47	3179	203.83
261	SEG48	3157	203.83
262	SEG49	3135	203.83
263	SEG50	3113	203.83
264	SEG51	3091	203.83
265	SEG52	3069	203.83
266	SEG53	3047	203.83
267	SEG54	3025	203.83
268	SEG55	3003	203.83
269	SEG56	2981	203.83
270	SEG57	2959	203.83
271	SEG58	2937	203.83
272	SEG59	2915	203.83
273	SEG60	2893	203.83
274	SEG61	2871	203.83
275	SEG62	2849	203.83
276	SEG63	2827	203.83
277	SEG64	2805	203.83
278	SEG65	2783	203.83
279	SEG66	2761	203.83
280	SEG67	2739	203.83
281	SEG68	2717	203.83
282	SEG69	2695	203.83
283	SEG70	2673	203.83
284	SEG71	2651	203.83
285	SEG72	2629	203.83
286	SEG73	2607	203.83

PAD	NAME	X	Y
287	SEG74	2585	203.83
288	SEG75	2563	203.83
289	SEG76	2541	203.83
290	SEG77	2519	203.83
291	SEG78	2497	203.83
292	SEG79	2475	203.83
293	SEG80	2453	203.83
294	SEG81	2431	203.83
295	SEG82	2409	203.83
296	SEG83	2387	203.83
297	SEG84	2365	203.83
298	SEG85	2343	203.83
299	SEG86	2321	203.83
300	SEG87	2299	203.83
301	SEG88	2277	203.83
302	SEG89	2255	203.83
303	SEG90	2233	203.83
304	SEG91	2211	203.83
305	SEG92	2189	203.83
306	SEG93	2167	203.83
307	SEG94	2145	203.83
308	SEG95	2123	203.83
309	SEG96	2101	203.83
310	SEG97	2079	203.83
311	SEG98	2057	203.83
312	SEG99	2035	203.83
313	SEG100	2013	203.83
314	SEG101	1991	203.83
315	SEG102	1969	203.83
316	SEG103	1947	203.83
317	SEG104	1925	203.83
318	SEG105	1903	203.83
319	SEG106	1881	203.83
320	SEG107	1859	203.83
321	SEG108	1837	203.83
322	SEG109	1815	203.83

PAD	NAME	X	Y
323	SEG110	1793	203.83
324	SEG111	1771	203.83
325	SEG112	1749	203.83
326	SEG113	1727	203.83
327	SEG114	1705	203.83
328	SEG115	1683	203.83
329	SEG116	1661	203.83
330	SEG117	1639	203.83
331	SEG118	1617	203.83
332	SEG119	1595	203.83
333	SEG120	1573	203.83
334	SEG121	1551	203.83
335	SEG122	1529	203.83
336	SEG123	1507	203.83
337	SEG124	1485	203.83
338	SEG125	1463	203.83
339	SEG126	1441	203.83
340	SEG127	1419	203.83
341	SEG128	1397	203.83
342	SEG129	1375	203.83
343	SEG130	1353	203.83
344	SEG131	1331	203.83
345	SEG132	1309	203.83
346	SEG133	1287	203.83
347	SEG134	1265	203.83
348	SEG135	1243	203.83
349	SEG136	1221	203.83
350	SEG137	1199	203.83
351	SEG138	1177	203.83
352	SEG139	1155	203.83
353	SEG140	1133	203.83
354	SEG141	1111	203.83
355	SEG142	1089	203.83
356	SEG143	1067	203.83
357	SEG144	1045	203.83
358	SEG145	1023	203.83

PAD	NAME	X	Y
359	SEG146	1001	203.83
360	SEG147	979	203.83
361	SEG148	957	203.83
362	SEG149	935	203.83
363	SEG150	913	203.83
364	SEG151	891	203.83
365	SEG152	869	203.83
366	SEG153	847	203.83
367	SEG154	825	203.83
368	SEG155	803	203.83
369	SEG156	781	203.83
370	SEG157	759	203.83
371	SEG158	737	203.83
372	SEG159	715	203.83
373	SEG160	693	203.83
374	SEG161	671	203.83
375	SEG162	649	203.83
376	SEG163	627	203.83
377	SEG164	605	203.83
378	SEG165	583	203.83
379	SEG166	561	203.83
380	SEG167	539	203.83
381	SEG168	517	203.83
382	SEG169	495	203.83
383	SEG170	473	203.83
384	SEG171	451	203.83
385	SEG172	429	203.83
386	SEG173	407	203.83
387	SEG174	385	203.83
388	SEG175	363	203.83
389	SEG176	341	203.83
390	SEG177	319	203.83
391	SEG178	297	203.83
392	SEG179	275	203.83
393	SEG180	253	203.83
394	SEG181	231	203.83

PAD	NAME	X	Y
395	SEG182	209	203.83
396	SEG183	187	203.83
397	SEG184	165	203.83
398	SEG185	143	203.83
399	SEG186	121	203.83
400	SEG187	99	203.83
401	SEG188	77	203.83
402	SEG189	55	203.83
403	SEG190	33	203.83
404	SEG191	11	203.83
405	SEG192	-11	203.83
406	SEG193	-33	203.83
407	SEG194	-55	203.83
408	SEG195	-77	203.83
409	SEG196	-99	203.83
410	SEG197	-121	203.83
411	SEG198	-143	203.83
412	SEG199	-165	203.83
413	SEG200	-187	203.83
414	SEG201	-209	203.83
415	SEG202	-231	203.83
416	SEG203	-253	203.83
417	SEG204	-275	203.83
418	SEG205	-297	203.83
419	SEG206	-319	203.83
420	SEG207	-341	203.83
421	SEG208	-363	203.83
422	SEG209	-385	203.83
423	SEG210	-407	203.83
424	SEG211	-429	203.83
425	SEG212	-451	203.83
426	SEG213	-473	203.83
427	SEG214	-495	203.83
428	SEG215	-517	203.83
429	SEG216	-539	203.83
430	SEG217	-561	203.83

PAD	NAME	X	Y
431	SEG218	-583	203.83
432	SEG219	-605	203.83
433	SEG220	-627	203.83
434	SEG221	-649	203.83
435	SEG222	-671	203.83
436	SEG223	-693	203.83
437	SEG224	-715	203.83
438	SEG225	-737	203.83
439	SEG226	-759	203.83
440	SEG227	-781	203.83
441	SEG228	-803	203.83
442	SEG229	-825	203.83
443	SEG230	-847	203.83
444	SEG231	-869	203.83
445	SEG232	-891	203.83
446	SEG233	-913	203.83
447	SEG234	-935	203.83
448	SEG235	-957	203.83
449	SEG236	-979	203.83
450	SEG237	-1001	203.83
451	SEG238	-1023	203.83
452	SEG239	-1045	203.83
453	SEG240	-1067	203.83
454	SEG241	-1089	203.83
455	SEG242	-1111	203.83
456	SEG243	-1133	203.83
457	SEG244	-1155	203.83
458	SEG245	-1177	203.83
459	SEG246	-1199	203.83
460	SEG247	-1221	203.83
461	SEG248	-1243	203.83
462	SEG249	-1265	203.83
463	SEG250	-1287	203.83
464	SEG251	-1309	203.83
465	SEG252	-1331	203.83
466	SEG253	-1353	203.83

PAD	NAME	X	Y
467	SEG254	-1375	203.83
468	SEG255	-1397	203.83
469	SEG256	-1419	203.83
470	SEG257	-1441	203.83
471	SEG258	-1463	203.83
472	SEG259	-1485	203.83
473	SEG260	-1507	203.83
474	SEG261	-1529	203.83
475	SEG262	-1551	203.83
476	SEG263	-1573	203.83
477	SEG264	-1595	203.83
478	SEG265	-1617	203.83
479	SEG266	-1639	203.83
480	SEG267	-1661	203.83
481	SEG268	-1683	203.83
482	SEG269	-1705	203.83
483	SEG270	-1727	203.83
484	SEG271	-1749	203.83
485	SEG272	-1771	203.83
486	SEG273	-1793	203.83
487	SEG274	-1815	203.83
488	SEG275	-1837	203.83
489	SEG276	-1859	203.83
490	SEG277	-1881	203.83
491	SEG278	-1903	203.83
492	SEG279	-1925	203.83
493	SEG280	-1947	203.83
494	SEG281	-1969	203.83
495	SEG282	-1991	203.83
496	SEG283	-2013	203.83
497	SEG284	-2035	203.83
498	SEG285	-2057	203.83
499	SEG286	-2079	203.83
500	SEG287	-2101	203.83
501	SEG288	-2123	203.83
502	SEG289	-2145	203.83

PAD	NAME	X	Y
503	SEG290	-2167	203.83
504	SEG291	-2189	203.83
505	SEG292	-2211	203.83
506	SEG293	-2233	203.83
507	SEG294	-2255	203.83
508	SEG295	-2277	203.83
509	SEG296	-2299	203.83
510	SEG297	-2321	203.83
511	SEG298	-2343	203.83
512	SEG299	-2365	203.83
513	SEG300	-2387	203.83
514	SEG301	-2409	203.83
515	SEG302	-2431	203.83
516	SEG303	-2453	203.83
517	SEG304	-2475	203.83
518	SEG305	-2497	203.83
519	SEG306	-2519	203.83
520	SEG307	-2541	203.83
521	SEG308	-2563	203.83
522	SEG309	-2585	203.83
523	SEG310	-2607	203.83
524	SEG311	-2629	203.83
525	SEG312	-2651	203.83
526	SEG313	-2673	203.83
527	SEG314	-2695	203.83
528	SEG315	-2717	203.83
529	SEG316	-2739	203.83
530	SEG317	-2761	203.83
531	SEG318	-2783	203.83
532	SEG319	-2805	203.83
533	SEG320	-2827	203.83
534	SEG321	-2849	203.83
535	SEG322	-2871	203.83
536	SEG323	-2893	203.83
537	SEG324	-2915	203.83
538	SEG325	-2937	203.83

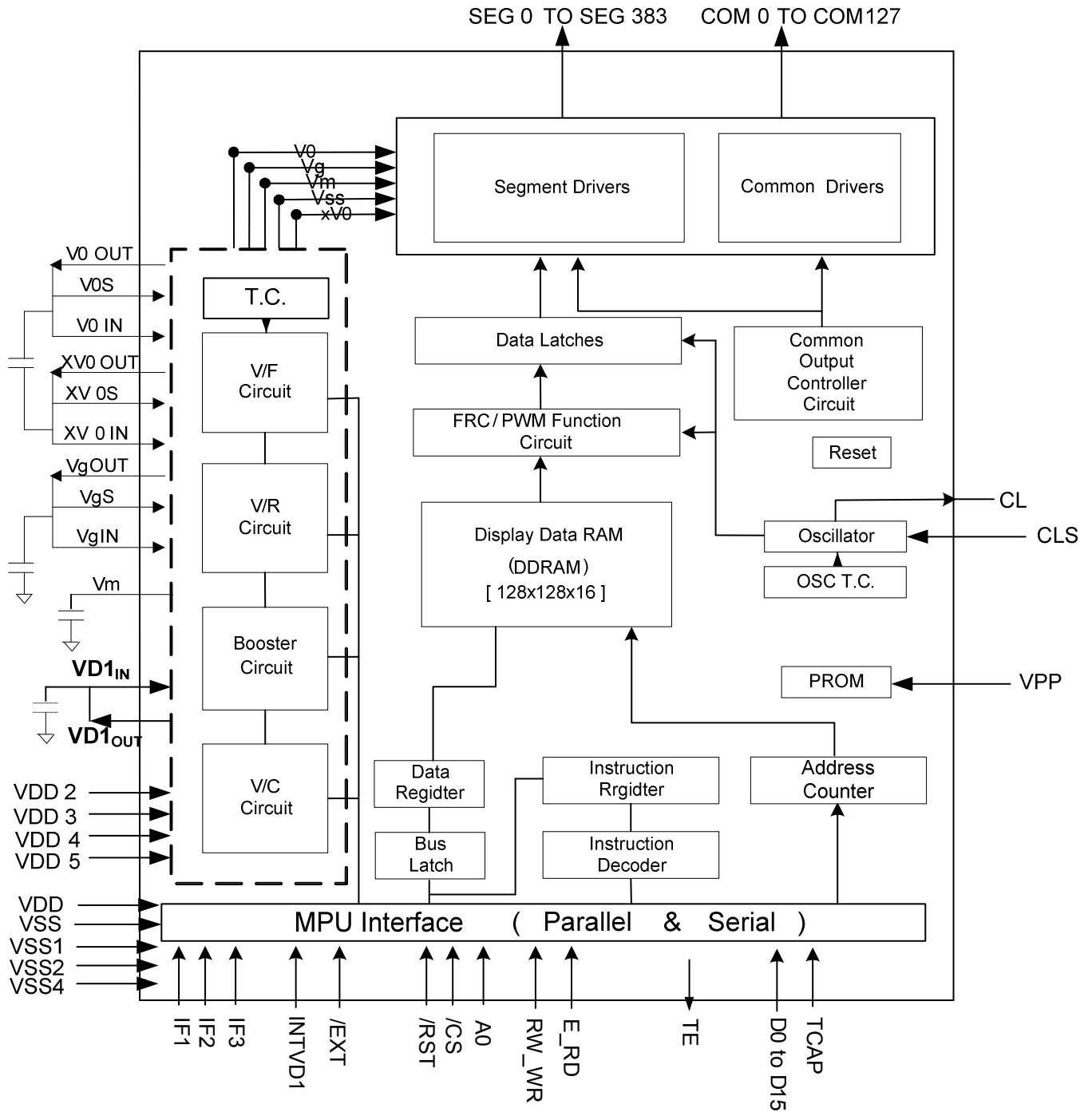
PAD	NAME	X	Y
539	SEG326	-2959	203.83
540	SEG327	-2981	203.83
541	SEG328	-3003	203.83
542	SEG329	-3025	203.83
543	SEG330	-3047	203.83
544	SEG331	-3069	203.83
545	SEG332	-3091	203.83
546	SEG333	-3113	203.83
547	SEG334	-3135	203.83
548	SEG335	-3157	203.83
549	SEG336	-3179	203.83
550	SEG337	-3201	203.83
551	SEG338	-3223	203.83
552	SEG339	-3245	203.83
553	SEG340	-3267	203.83
554	SEG341	-3289	203.83
555	SEG342	-3311	203.83
556	SEG343	-3333	203.83
557	SEG344	-3355	203.83
558	SEG345	-3377	203.83
559	SEG346	-3399	203.83
560	SEG347	-3421	203.83
561	SEG348	-3443	203.83
562	SEG349	-3465	203.83
563	SEG350	-3487	203.83
564	SEG351	-3509	203.83
565	SEG352	-3531	203.83
566	SEG353	-3553	203.83
567	SEG354	-3575	203.83
568	SEG355	-3597	203.83
569	SEG356	-3619	203.83
570	SEG357	-3641	203.83
571	SEG358	-3663	203.83
572	SEG359	-3685	203.83
573	SEG360	-3707	203.83
574	SEG361	-3729	203.83

PAD	NAME	X	Y
575	SEG362	-3751	203.83
576	SEG363	-3773	203.83
577	SEG364	-3795	203.83
578	SEG365	-3817	203.83
579	SEG366	-3839	203.83
580	SEG367	-3861	203.83
581	SEG368	-3883	203.83
582	SEG369	-3905	203.83
583	SEG370	-3927	203.83
584	SEG371	-3949	203.83
585	SEG372	-3971	203.83
586	SEG373	-3993	203.83
587	SEG374	-4015	203.83
588	SEG375	-4037	203.83
589	SEG376	-4059	203.83
590	SEG377	-4081	203.83
591	SEG378	-4103	203.83
592	SEG379	-4125	203.83
593	SEG380	-4147	203.83
594	SEG381	-4169	203.83
595	SEG382	-4191	203.83
596	SEG383	-4213	203.83
597	DUMMY	-4323.88	203.83
598	DUMMY	-4345.88	203.83
599	DUMMY	-4367.88	203.83
600	DUMMY	-4389.88	203.83
601	DUMMY	-4411.88	203.83
602	DUMMY	-4433.88	203.83
603	DUMMY	-4455.88	203.83
604	DUMMY	-4477.88	203.83
605	DUMMY	-4499.88	203.83
606	DUMMY	-4521.88	203.83
607	DUMMY	-4543.88	203.83
608	DUMMY	-4565.88	203.83
609	DUMMY	-4587.88	203.83
610	COM126	-4609.88	203.83

PAD	NAME	X	Y
611	COM124	-4631.88	203.83
612	COM122	-4653.88	203.83
613	COM120	-4675.88	203.83
614	COM118	-4697.88	203.83
615	COM116	-4719.88	203.83
616	COM114	-4741.88	203.83
617	COM112	-4763.88	203.83
618	COM110	-4785.88	203.83
619	COM108	-4807.88	203.83
620	COM106	-4829.88	203.83
621	COM104	-4851.88	203.83
622	COM102	-4873.88	203.83
623	COM100	-4895.88	203.83
624	COM98	-4917.88	203.83
625	COM96	-4939.88	203.83
626	COM94	-4961.88	203.83
627	COM92	-4983.88	203.83
628	COM90	-5005.88	203.83
629	COM88	-5027.88	203.83
630	COM86	-5049.88	203.83
631	COM84	-5071.88	203.83
632	COM82	-5093.88	203.83
633	COM80	-5115.88	203.83
634	COM78	-5137.88	203.83
635	COM76	-5159.88	203.83
636	COM74	-5181.88	203.83
637	COM72	-5203.88	203.83
638	COM70	-5225.88	203.83
639	COM68	-5247.88	203.83
640	COM66	-5269.88	203.83
641	COM64	-5291.88	203.83
642	COM62	-5313.88	203.83
643	COM60	-5335.88	203.83
644	COM58	-5357.88	203.83
645	COM56	-5379.88	203.83
646	COM54	-5401.88	203.83

PAD	NAME	X	Y
647	COM52	-5423.88	203.83
648	COM50	-5445.88	203.83
649	COM48	-5467.88	203.83
650	COM46	-5489.88	203.83
651	COM44	-5511.88	203.83
652	COM42	-5533.88	203.83
653	COM40	-5555.88	203.83
654	COM38	-5577.88	203.83
655	COM36	-5599.88	203.83
656	COM34	-5621.88	203.83
657	COM32	-5643.88	203.83
658	COM30	-5665.88	203.83
659	COM28	-5687.88	203.83
660	COM26	-5709.88	203.83
661	COM24	-5642.23	74.74
662	COM22	-5642.23	52.74
663	COM20	-5642.23	30.74
664	COM18	-5642.23	8.74
665	COM16	-5642.23	-13.26
666	COM14	-5642.23	-35.26
667	COM12	-5642.23	-57.26
668	COM10	-5642.23	-79.26
669	COM8	-5642.23	-101.26
670	COM6	-5642.23	-123.26
671	COM4	-5642.23	-145.26
672	COM2	-5642.23	-167.26
673	COM0	-5642.23	-189.26
	LMARK1	-5717.5	-267.5
	LMARK2	5717.5	-267.5

5. BLOCK DIAGRAM



6. PIN DESCRIPTION

6.1 Power Supply

Name	I/O	Description
VDD	Supply	Power supply for logic circuit.
VDD2	Supply	Power supply for Booster circuit.
VDD3	Supply	Power supply for LCD.
VDD4	Supply	Power supply for LCD.
VDD5	Supply	Power supply for LCD.
VSS	Supply	Ground for logic circuit. Ground system should be connected together.
VSS1	Supply	Ground for OSC circuit. Ground system should be connected together.
VSS2	Supply	Ground for Booster circuit. Ground system should be connected together.
VSS4	Supply	Ground for LCD. Ground system should be connected together.

6.2 LCD Power Supply Pins

Name	I/O	Description																				
V0 _{OUT} V0 _{IN} V0 _S	I/O	<p>Positive LCD driver supply voltages.</p> <p>V0_{OUT} is the output voltage of V0 generated by ST7687S.</p> <p>V0_{IN} is the input pin of power supply to generate V0 voltage for LCD.</p> <p>V0_S is the input pin of power supply to sense the V0 voltage.</p> <p>V0_{OUT} , V0_{IN} & V0_S should be connected together by FPC.</p>																				
XV0 _{OUT} XV0 _{IN} XV0 _S	I/O	<p>Negative LCD driver supply voltages.</p> <p>XV0_{OUT} is the output voltage of XV0 generated by ST7687S.</p> <p>XV0_{IN} is the input pin of power supply to generate XV0 voltage for LCD.</p> <p>XV0_S is the input pin of power supply to sense the XV0 voltage.</p> <p>XV0_{OUT} , XV0_{IN} & XV0_S should be connected together by FPC.</p>																				
Vg _{OUT} Vg _{IN} Vg _S Vm	I/O	<p>Bias LCD driver supply voltages.</p> <p>Vg_{OUT} is the output voltage of Vg generated by ST7687S.</p> <p>Vg_{IN} is the input pin of power supply to generate Vg voltage for LCD.</p> <p>Vg_S is the input pin of power supply to sense the Vg voltage.</p> <p>Vg_{OUT} , Vg_{IN} & Vg_S should be connected together by FPC.</p> <p>Vm is the I/O pin of LCD bias supply voltage</p> <p>Voltages should have the following relationship;</p> <p>$V0 > Vg > Vm > VSS > XV0$.</p> <p>$VDDA - 0.7V > Vm > 0.7V$, $2 \times VDDA \geq Vg > 1.8V$</p> <p>When the internal power circuit is active, these voltages are generated as following table according to the state of LCD bias.</p> <table border="1" style="margin-left: auto; margin-right: auto;"> <thead> <tr> <th>LCD bias</th> <th>Vg</th> <th>Vm</th> </tr> </thead> <tbody> <tr> <td>1/N bias</td> <td>(2/N) x V0</td> <td>(1/N) x V0</td> </tr> </tbody> </table> <p>NOTE: N = 6 to 12</p>	LCD bias	Vg	Vm	1/N bias	(2/N) x V0	(1/N) x V0														
LCD bias	Vg	Vm																				
1/N bias	(2/N) x V0	(1/N) x V0																				
VD1 _{out} VD1 _{in}	I/O	<p>Voltage regulator for digital circuit.</p> <p>VD1_{out} is voltage output from regulator circuit.</p> <p>VD1_{in} is voltage input to digital circuit.</p> <p>VD1_{in} and VD1_{out} should be connected together by FPC.</p> <table border="1" style="margin-left: auto; margin-right: auto;"> <thead> <tr> <th>Typical VDDI</th> <th>Tolerance</th> <th>Capacitor of VD1 to VSS</th> <th>Level of INTVD1</th> </tr> </thead> <tbody> <tr> <td>1.8V</td> <td>1.65V~2V</td> <td>Unnecessary</td> <td>VSS</td> </tr> <tr> <td>2.8V</td> <td>2.6V~3V</td> <td>Unnecessary</td> <td>VSS</td> </tr> <tr> <td>3.0V</td> <td>2.8V~3.2V</td> <td>necessary</td> <td>VDD</td> </tr> <tr> <td>3.3V</td> <td>3V~3.6V</td> <td>necessary</td> <td>VDD</td> </tr> </tbody> </table>	Typical VDDI	Tolerance	Capacitor of VD1 to VSS	Level of INTVD1	1.8V	1.65V~2V	Unnecessary	VSS	2.8V	2.6V~3V	Unnecessary	VSS	3.0V	2.8V~3.2V	necessary	VDD	3.3V	3V~3.6V	necessary	VDD
Typical VDDI	Tolerance	Capacitor of VD1 to VSS	Level of INTVD1																			
1.8V	1.65V~2V	Unnecessary	VSS																			
2.8V	2.6V~3V	Unnecessary	VSS																			
3.0V	2.8V~3.2V	necessary	VDD																			
3.3V	3V~3.6V	necessary	VDD																			

6.3 System Control

Name	I/O	Description																				
CLS	I	Reserved for testing only. Please fix this pin to VDD.																				
CL	I/O	Reserved for testing only. Leave this pin open.																				
VREF	O	Reference voltage output for monitor only. Left it opened.																				
TCAP	I/O	Test pin. Left it opens.																				
VPP	I	When writing EEPROM, it needs external power supply voltage 21V; the current of Ivpp must be more than 4mA.																				
INTVD1	I	<table border="1"> <thead> <tr> <th>Typical VDDI</th> <th>Tolerance</th> <th>Capacitor of VD1 to VSS</th> <th>Level of INTVD1</th> </tr> </thead> <tbody> <tr> <td>1.8V</td> <td>1.65V~2V</td> <td>Unnecessary</td> <td>VSS</td> </tr> <tr> <td>2.8V</td> <td>2.6V~3V</td> <td>Unnecessary</td> <td>VSS</td> </tr> <tr> <td>3.0V</td> <td>2.8V~3.2V</td> <td>necessary</td> <td>VDD</td> </tr> <tr> <td>3.3V</td> <td>3V~3.6V</td> <td>necessary</td> <td>VDD</td> </tr> </tbody> </table>	Typical VDDI	Tolerance	Capacitor of VD1 to VSS	Level of INTVD1	1.8V	1.65V~2V	Unnecessary	VSS	2.8V	2.6V~3V	Unnecessary	VSS	3.0V	2.8V~3.2V	necessary	VDD	3.3V	3V~3.6V	necessary	VDD
		Typical VDDI	Tolerance	Capacitor of VD1 to VSS	Level of INTVD1																	
		1.8V	1.65V~2V	Unnecessary	VSS																	
		2.8V	2.6V~3V	Unnecessary	VSS																	
		3.0V	2.8V~3.2V	necessary	VDD																	
3.3V	3V~3.6V	necessary	VDD																			

6.4 Microprocessor Interface

Name	I/O	Description																												
/RST	I	Reset input pin When /RST is "L", initialization is executed.																												
IF[3:1]	I	Parallel / Serial data input select input <table border="1" style="margin-left: auto; margin-right: auto;"> <thead> <tr> <th>IF3</th> <th>IF2</th> <th>IF1</th> <th>MPU interface type</th> </tr> </thead> <tbody> <tr> <td>H</td> <td>H</td> <td>H</td> <td>Reserved</td> </tr> <tr> <td>H</td> <td>H</td> <td>L</td> <td>80 series 8-bit parallel</td> </tr> <tr> <td>H</td> <td>L</td> <td>H</td> <td>Reserved</td> </tr> <tr> <td>H</td> <td>L</td> <td>L</td> <td>68 series 8-bit parallel</td> </tr> <tr> <td>L</td> <td>H</td> <td>H</td> <td>8-bit serial (4 line)</td> </tr> <tr> <td>L</td> <td>H</td> <td>L</td> <td>9-bit serial (3 line)</td> </tr> </tbody> </table> <p>Note: Refer to Table 1 for detail interface connections.</p>	IF3	IF2	IF1	MPU interface type	H	H	H	Reserved	H	H	L	80 series 8-bit parallel	H	L	H	Reserved	H	L	L	68 series 8-bit parallel	L	H	H	8-bit serial (4 line)	L	H	L	9-bit serial (3 line)
IF3	IF2	IF1	MPU interface type																											
H	H	H	Reserved																											
H	H	L	80 series 8-bit parallel																											
H	L	H	Reserved																											
H	L	L	68 series 8-bit parallel																											
L	H	H	8-bit serial (4 line)																											
L	H	L	9-bit serial (3 line)																											
/CS	I	Chip select input pins Data / Instruction I/O is enabled only when /CS is "L". When chip select is non-active, D0 to D7 become high impedance.																												
A0	I	Register select input pin In parallel interface: A0 = "H": D0 to D7 or SI are display data A0 = "L": D0 to D7 or SI are control Command In 3-line/4-line interface: This pad will be used for SCL function.																												
RW_WR	I	RW_WR pin is only used in parallel interface. <table border="1" style="margin-left: auto; margin-right: auto;"> <thead> <tr> <th>MPU type</th> <th>RW_WR</th> <th>Description</th> </tr> </thead> <tbody> <tr> <td>6800-series</td> <td>RW</td> <td>Read / Write control input pin Write status: RW = "L". Read status: RW = "H".</td> </tr> <tr> <td>8080-series</td> <td>/WR</td> <td>Write enable clock input pin The data on D0 to D7 are latched at the rising edge of the /WR signal.</td> </tr> </tbody> </table> <p>When in the serial interface, connect it to VDDI.</p>	MPU type	RW_WR	Description	6800-series	RW	Read / Write control input pin Write status: RW = "L". Read status: RW = "H".	8080-series	/WR	Write enable clock input pin The data on D0 to D7 are latched at the rising edge of the /WR signal.																			
MPU type	RW_WR	Description																												
6800-series	RW	Read / Write control input pin Write status: RW = "L". Read status: RW = "H".																												
8080-series	/WR	Write enable clock input pin The data on D0 to D7 are latched at the rising edge of the /WR signal.																												

E_RD	I	E_RD pin is only used in parallel interface.		
		MPU Type	E_RD	
		Description		
		6800-series	E	<p>Enable clock pin:</p> <p>Write status: The data on D0 to D7 are latched at the falling edge of the E signal.</p> <p>Read status: The data on D0 to D7 are latched at the rising edge of the E signal.</p>
		8080-series	/RD	<p>Read enable clock input pin</p> <p>The data on D0 to D7 are latched at the falling edge of the /WR signal.</p>
		When in the serial interface, connect it to VDDI.		
D7 to D0	I/O	<p>They connect to the standard 8-bit MPU bus via the 8bit bi-directional bus.</p> <p>When the following interface is selected and the /CS pin is high, the following pins become high impedance.</p> <ol style="list-style-type: none"> In 3-line/4-line interface D0 pad will be used for SI function In 4-line interface D1 pad will be used for A0 function In Serial interface: unused pins are in the state of high impedance should connect to VDD. 		
TE	O	Tearing effect output.		
/EXT	I	<p>EEPROM burn-in control Pin.</p> <p>There is a pull-high resistor between /EXT &VDD in ST7687S.</p> <p>When burning EEPROM, please add an external VSS on /EXT. (needs external power supply voltage VPP=21V)</p>		

NOTE:

- Microprocessor interface pins should not be floating in any operation mode.
- Unused pin should connect to VDDI (Supply Digital Voltage).

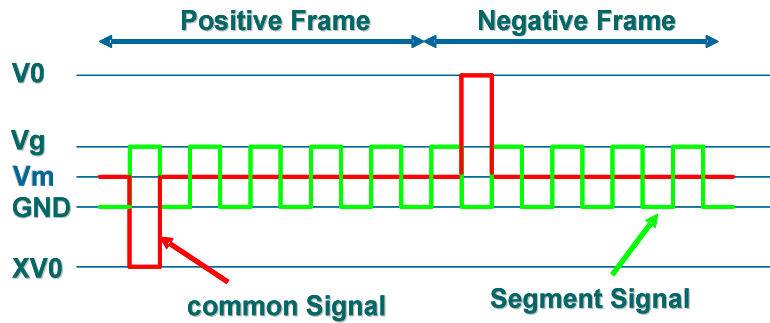
6.5 LCD Driver Outputs

Name	I/O	Description																										
SEG0 to SEG383	O	<p>LCD segment driver outputs</p> <p>The display data and the M signal control the output voltage of segment driver.</p> <table border="1"> <thead> <tr> <th rowspan="2">Display data</th> <th rowspan="2">M (Internal)</th> <th colspan="2">Segment driver output voltage</th> </tr> <tr> <th>Normal display</th> <th>Reverse display</th> </tr> </thead> <tbody> <tr> <td>H</td> <td>H</td> <td>Vg</td> <td>VSS</td> </tr> <tr> <td>H</td> <td>L</td> <td>VSS</td> <td>Vg</td> </tr> <tr> <td>L</td> <td>H</td> <td>VSS</td> <td>Vg</td> </tr> <tr> <td>L</td> <td>L</td> <td>Vg</td> <td>VSS</td> </tr> <tr> <td colspan="2">Sleep-In mode</td> <td>VSS</td> <td>VSS</td> </tr> </tbody> </table>	Display data	M (Internal)	Segment driver output voltage		Normal display	Reverse display	H	H	Vg	VSS	H	L	VSS	Vg	L	H	VSS	Vg	L	L	Vg	VSS	Sleep-In mode		VSS	VSS
Display data	M (Internal)	Segment driver output voltage																										
		Normal display	Reverse display																									
H	H	Vg	VSS																									
H	L	VSS	Vg																									
L	H	VSS	Vg																									
L	L	Vg	VSS																									
Sleep-In mode		VSS	VSS																									
COM0 to COM127	O	<p>LCD common driver outputs</p> <p>The internal scanning data and M signal control the output voltage of common driver.</p> <table border="1"> <thead> <tr> <th>Scan data</th> <th>M (Internal)</th> <th>Common driver output voltage</th> </tr> </thead> <tbody> <tr> <td>H</td> <td>H</td> <td>XV0</td> </tr> <tr> <td>H</td> <td>L</td> <td>V0</td> </tr> <tr> <td>L</td> <td>H</td> <td>Vm</td> </tr> <tr> <td>L</td> <td>L</td> <td>Vm</td> </tr> <tr> <td colspan="2">Sleep-In mode</td> <td>VSS</td> </tr> </tbody> </table>	Scan data	M (Internal)	Common driver output voltage	H	H	XV0	H	L	V0	L	H	Vm	L	L	Vm	Sleep-In mode		VSS								
Scan data	M (Internal)	Common driver output voltage																										
H	H	XV0																										
H	L	V0																										
L	H	Vm																										
L	L	Vm																										
Sleep-In mode		VSS																										
DUMMY	-	It's reserved for test, do not connect ITO or any other electrical-conducted material with it.																										

6.6 Test Pins

T1 to T8	-	Reserved for testing only. Please connect these pins to VDDI.
----------	---	---

Driving Waveform



ST7687S I/O PIN ITO Resister Limitation

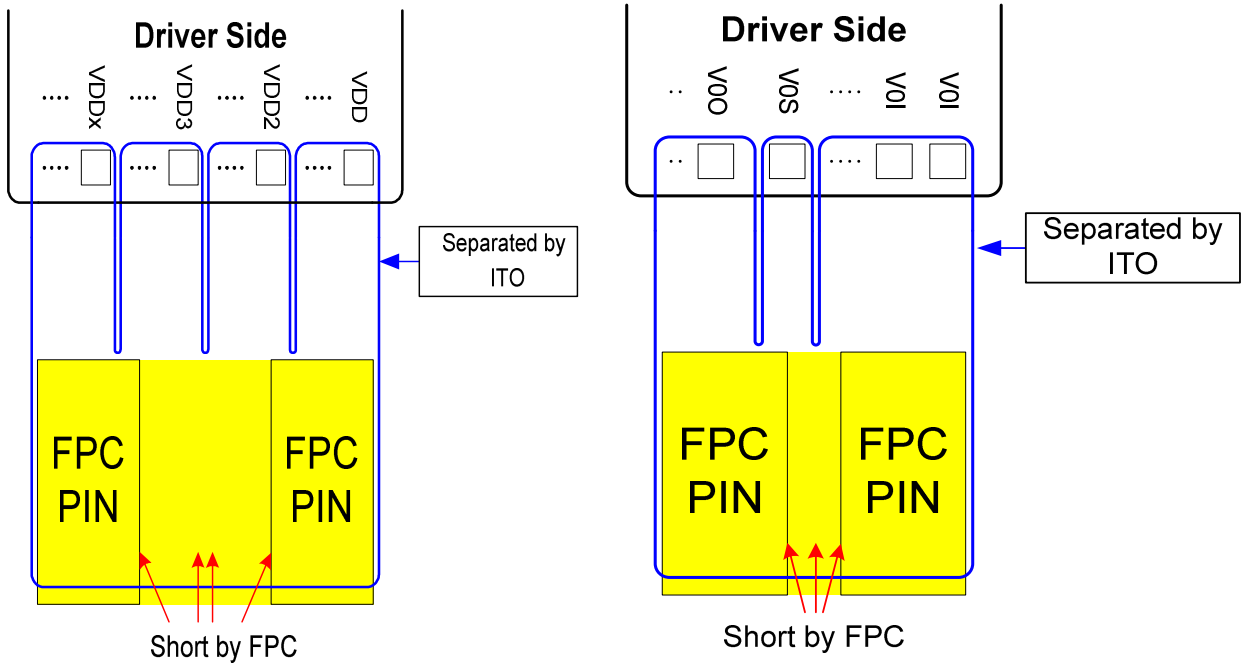
Pin Name	ITO Resister
VDD, VDD2~VDD5, VSS, VSS1, VSS2, VSS4, SI (in parallel interface is D0), VD1 _{in} , VD1 _{out}	<100Ω
V0 _{IN} , V0 _{OUT} , V0 _S , XV0 _{IN} , XV0 _{OUT} , XV0 _S , Vg _{IN} , Vg _{OUT} , Vg _S , Vm	<300Ω
VPP	<50Ω
A0, E_RD, RW_WR, /CS, D0 (in parallel interface), D1, ... D7, (SCL), TE, INTVD1	<1KΩ
/RST	<10KΩ
IF[3:1], CLS, /EXT	<1KΩ
TCAP, CL, VREF	Floating

NOTE:

1. Make sure that the ITO resistance of COM0 ~ COM127 is equal, and so is it of SEG0 ~ SEG383.

These limitations include the bottleneck of ITO layout.

2. ITO layout suggestion is shown as below:



7. FUNCTIONAL DESCRIPTION

7.1 Microprocessor Interface

Chip Select Input

/CS pin is chip selection. The ST7687S is active when /CS=L. In serial interface mode, the internal shift register and the counter are reset when /CS=H.

7.2 Selecting Parallel / Serial Interface

ST7687S has four types of interfaces with an MPU, which are two serial and two parallel interfaces. These parallel or serial interfaces are determined by IF pin as shown in Table 1.

I/F Mode			I/F Description	Pin Assignment						
IF3	IF2	IF1		/CS	A0	E_RD	RW_WR	Used Data Bus	D1	D0
H	H	L	80 serial 8-bit parallel	/CS	A0	/RD	/WR	D7~D2	D1	D0
H	L	L	68 serial 8-bit parallel	/CS	A0	E	R/W	D7~D2	D1	D0
L	H	H	8-bit SPI mode (4 line)	/CS	SCL	--	--	--	A0	SI
L	H	L	9-bit SPI mode (3 line)	/CS	SCL	--	--	--	--	SI

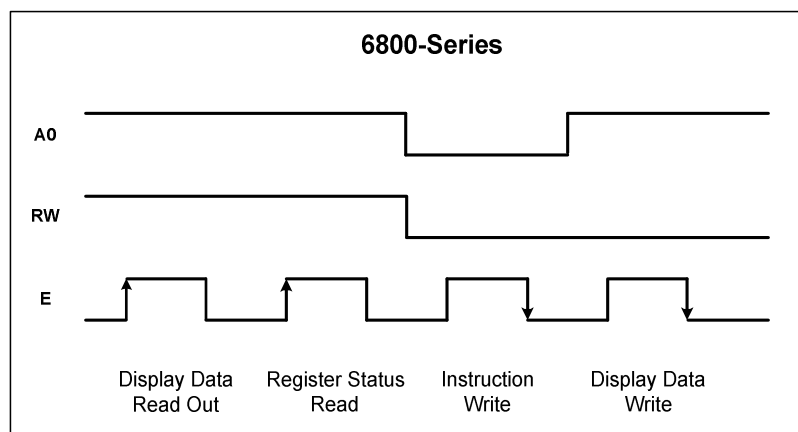
Table 1 Parallel / Serial Interface Mode

7.2.1. 8-bit Parallel Interface

The ST7687S identifies the type of the data bus signals according to the combination of A0, /RD (E) and /WR (R/W) signals, as shown in Table 2.

Common	6800-series		8080-series		Description
	A0	R/W	E	/RD	
H	H	↑	H	↓	Display data read out
H	H	↑	H	↓	Register status read
L	L	↓	↑	H	Instruction write
H	L	↓	↑	H	Display data write

Table 2 Parallel Data Transfer



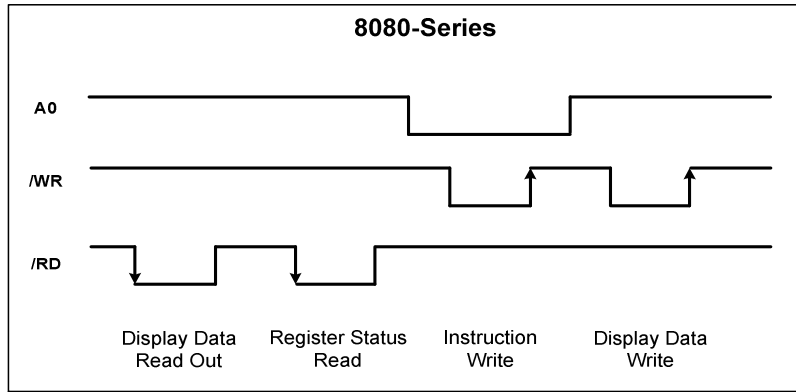


Figure 1 Parallel Data Transfer Example Chart

Relation between Data Bus and Gradation Data

ST7687S offers 4096, 65K color display. When using 4096, 65K color display; you can specify color for each of R, G, and B using the palette function. Use the command for switching between these modes.

(1) 4096-color display

(1-1) Type A 4096 color display

1. 8-bit mode

D7, D6, D5, D4, D3, D2, D1, D0: **RRRRGGGG** 1st-write

D7, D6, D5, D4, D3, D2, D1, D0: **BBBBRRRR** 2nd-write

D7, D6, D5, D4, D3, D2, D1, D0: **GGGGBBBB** 3rd-write

There are 3 write operations for 2 pixel data.

1st pixel data is written in the display data RAM when 2nd –write operation finishes, and 2nd pixel data is written in the display data RAM when 3rd–write operation finishes.

(1-2) Type B 4096 color display

1. 8-bit mode

D7, D6, D5, D4, D3, D2, D1, D0: **XXXXRRRR** 1st-write

D7, D6, D5, D4, D3, D2, D1, D0: **GGGGBBBB** 2nd-write

There are 2 write operations for 1 pixel data.

1st pixel data is written in the display data RAM when 2nd –write operation finishes. “X” are ignored dummy bits.

(2) 65K color input mode

1. 8-bit mode

D7, D6, D5, D4, D3, D2, D1, D0: **RRRRGGGG** 1st-write

D7, D6, D5, D4, D3, D2, D1, D0: **GGGBBBBB** 2nd-write

There are 2 write operations for 1 pixel data.

1st pixel data is written in the display data RAM when 2nd –write operation finishes.

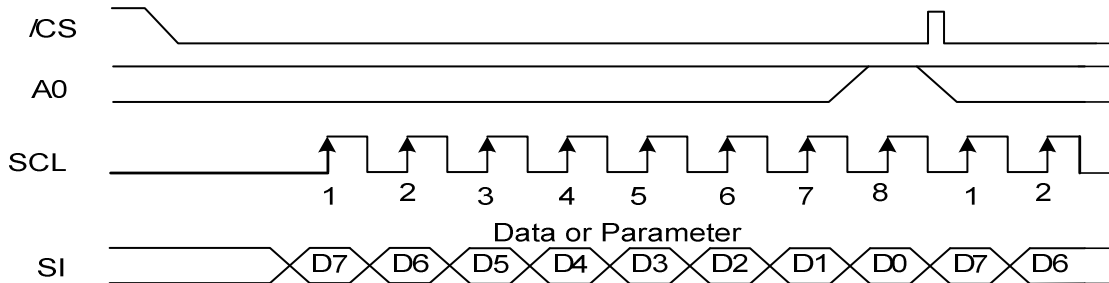
7.2.2. 8- and 9-bit Serial Interface

The 8-bit serial interface uses four pins /CS, SI, SCL, and A0 to write in commands and data. Meanwhile, the 9-bit serial interface uses three pins /CS, SI and SCL for the same purpose.

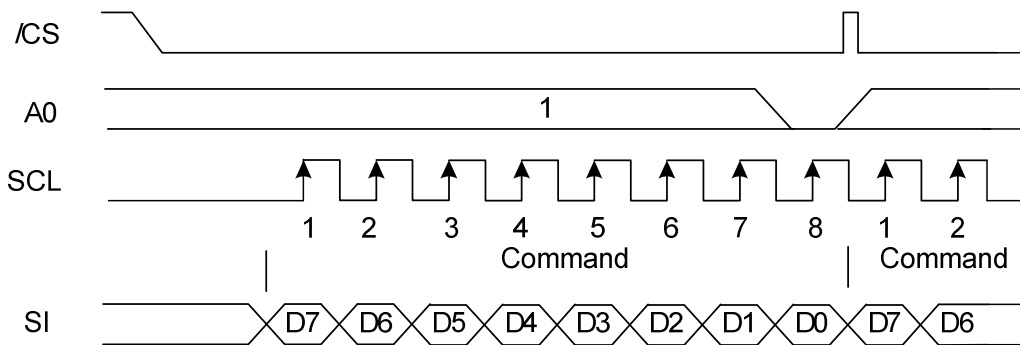
Data read is not available in the serial interface. Data must write to IC with 8 bits for each time. The relation between gray-scale data and data bus in the serial input is the same as that in the 8-bit parallel interface mode at every gradation.

(1) 8-bit serial interface (4-line)

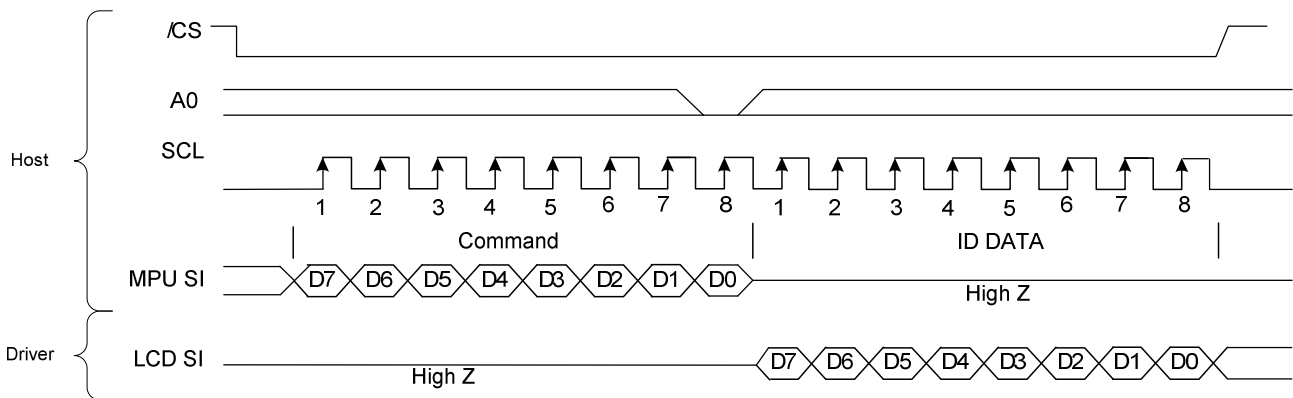
When entering data (parameters): A0= HIGH at the rising edge of the 8th SCL.



When entering command: A0= LOW at the rising edge of the 8th SCL

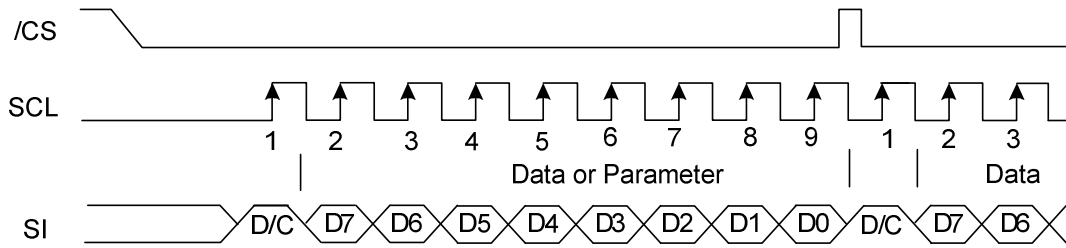


When entering reading command:

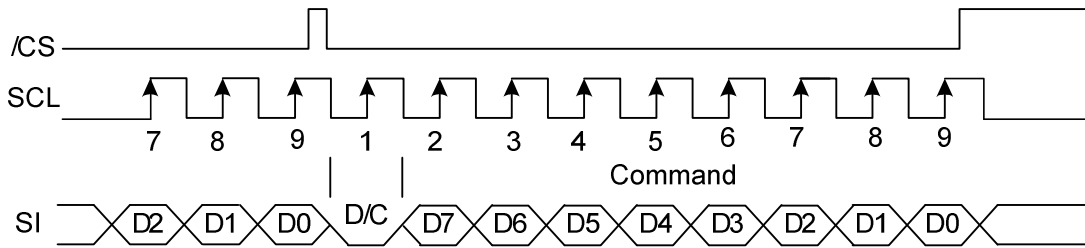


(2) 9-bit serial interface (3-line)

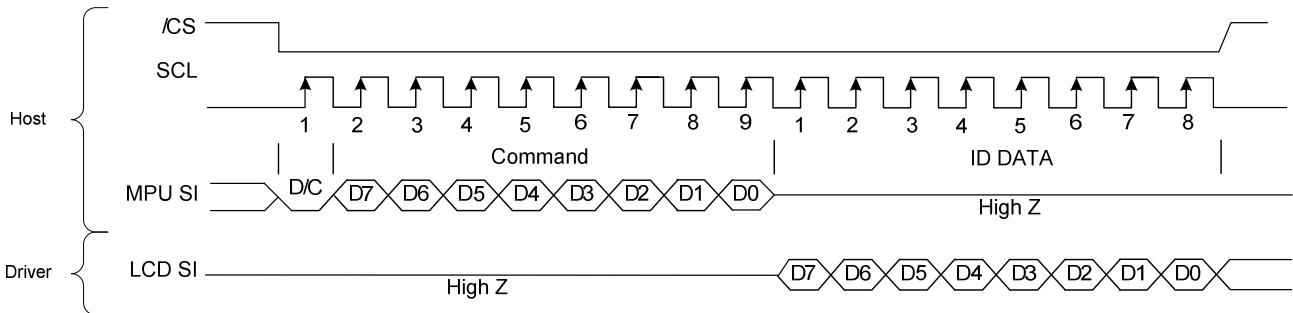
When entering data (parameters): SI= HIGH at the rising edge of the 1st SCL.



When entering command: SI= LOW at the rising edge of the 1st SCL.



When entering reading command:



- If /CS is set to HIGH while the 8 bits from D7 to D0 are entered, the data concerned is invalidated. Before entering succeeding sets of data, you must correctly input the data concerned again.
- In order to avoid data transfer error due to incoming noise, it is recommended to set /CS at HIGH on byte basis to initialize the serial-to-parallel conversion counter and the register.

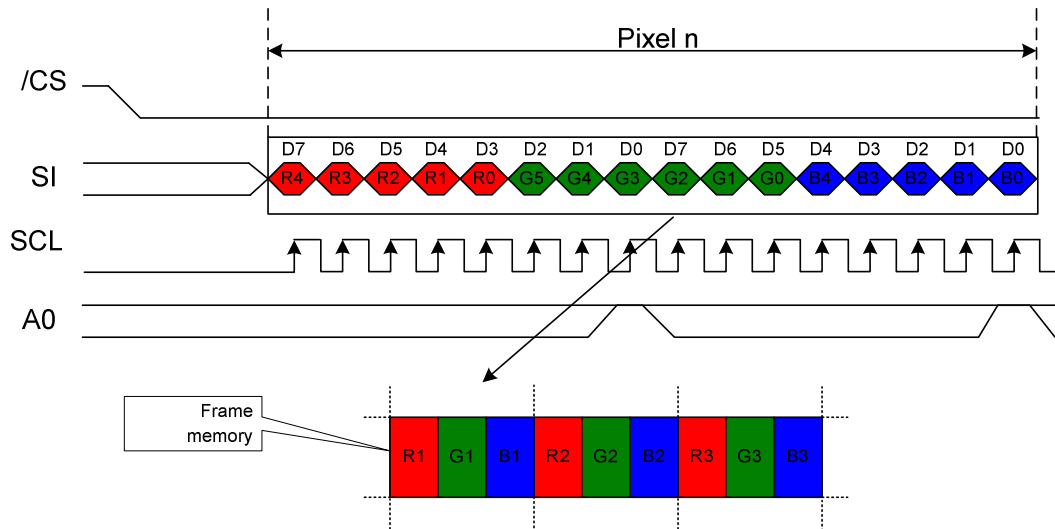
7.2.3. 8-bit and 9-bit Serial Interface Data Color Coding

8-bit serial interface (4-line)

R 5-bit, G 6-bit, B 5-bit, 65,536 colors

There is 1 pixel (= 3 sub-pixels) per 2 byte.

There is 1 pixel (= 3 sub-pixels) per 2 byte.



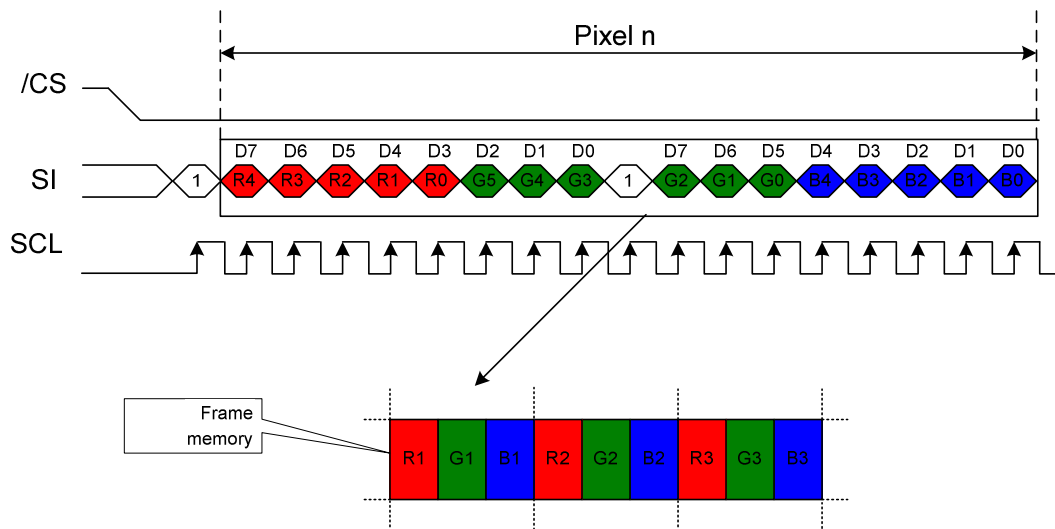
Note: R4, G5, B4 are the most significant bits and R0, G0, B0 are the least significant bits.

9-bit serial interface (3-line)

R 5-bit, G 6-bit, B 5-bit, 65,536 colors

There is 1 pixel (= 3 sub-pixels) per 2 byte.

There is 1 pixel (= 3 sub-pixels) per 2 byte.



Note: R4, G5, B4 are the most significant bits and R0, G0, B0 are the least significant bits.

7.3 Access to DDRAM and Internal Rgisters

ST7687S realizes high-speed data transfer because the access from MPU is a sort of pipeline processing done via the bus holder attached to the internal, requiring the cycle time alone without needing the wait time.

For example, when MPU writes data to the DDRAM, the data is once held by the bus holder and then written to the DDRAM before the succeeding write cycle is started. When MPU reads data from the DDRAM, the first read cycle is dummy and the bus holder holds the data read in the dummy cycle, and then it read from the bus holder to the system bus in the succeeding read cycle. Figure 2 illustrates these relations.

In 80-series interface mode:

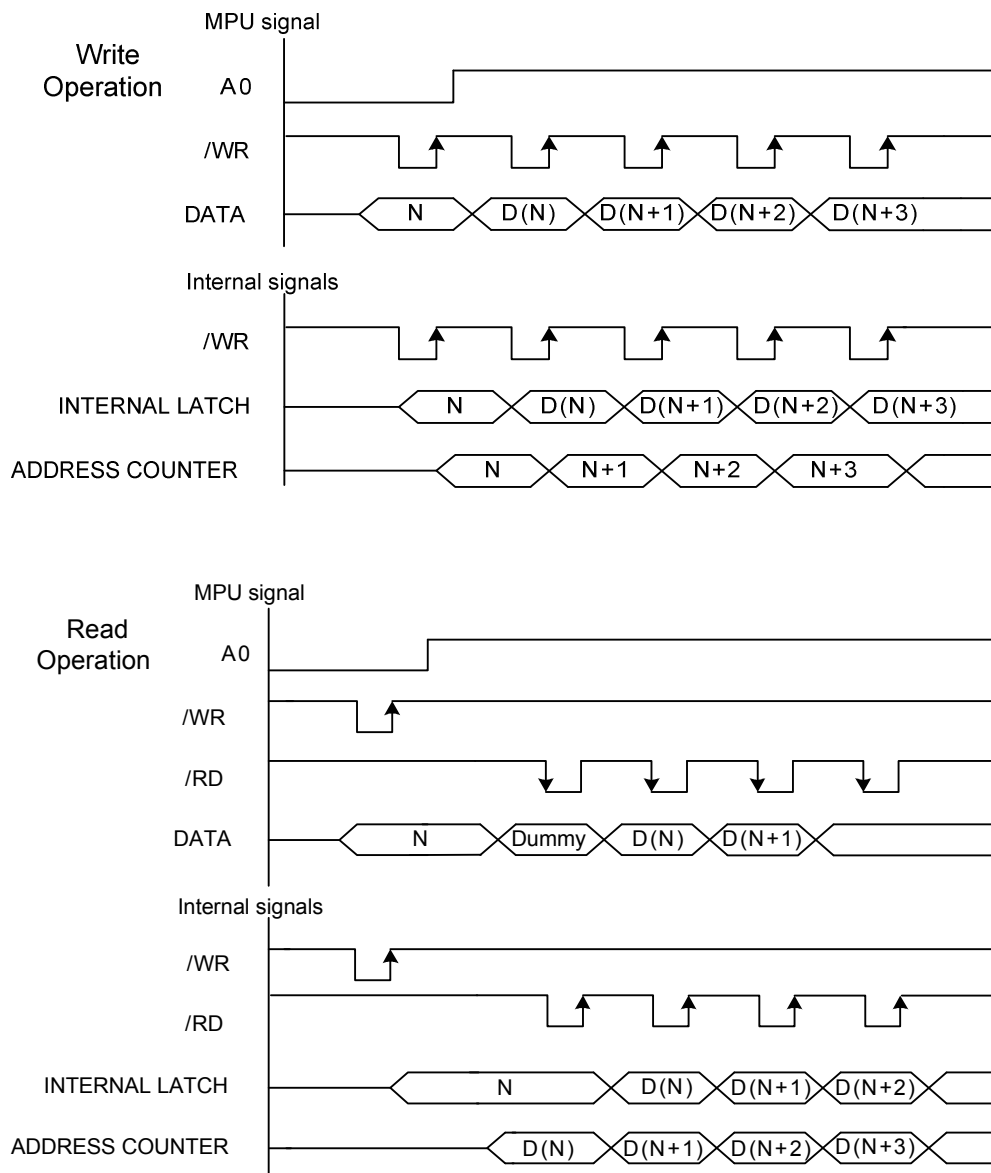


Figure 2 Example of DDRAM and register access

7.4 Display Data RAM (DDRAM)

7.4.1. DDRAM

It is 128 X 128 X 16 bits capacity RAM prepared for storing dot data. Refer to the following memory map for the RAM configuration.

Memory Map

Data control command		RGB alignment									
		Column									
	(MADCTR) MX=0	0	1							127	
	(MADCTR) MX=1	127	126							0	
Color		R	G	B	R	G	B		R	G	B
Data		R	G	B	R	G	B		R	G	B
Page											
(MADCTR) MY=0	(MADCTR) MY=1										
0	127										
1	126										
2	125										
3	124										
4	123										
5	122										
6	121										
7	120										
:	:										
120	7										
121	6										
122	5										
123	4										
124	3										
125	2										
126	1										
127	0										
SEGout		0	1	2	3	4	5		381	382	383

You can change position of R and B with MADCTR command.

7.4.2. Address Control

The address counter sets the addresses of the display data RAM for writing.

Data is written pixel into the RAM matrix of ST7687S. The data for one pixel or two pixels is collected (RGB 5-6-5-bit), according to the data formats. As soon as this pixel-data information is complete, the "Write access" is activated on the RAM. The locations of RAM are addressed by the address pointers. The address ranges are X=0 to X=127 (7Fh) and Y=0 to Y=127 (7Fh). Addresses outside these ranges are not allowed.

Before writing to the RAM, a window must be defined into which will be written. The window is programmable via the

command registers XS, YS designating the start address and XE, YE designating the end address.

For example the whole display contents will be written, the window is defined by the following values: XS=0 (0h) YS=0 (0h) and XE=127 (7Fh), YE=127 (7Fh).

In vertical addressing mode (MV=1), the Y-address increments after each byte, after the last Y-address (Y=YE), Y wraps around to YS and X increments to address the next column. In horizontal addressing mode (MV=0), the X-address increments after each byte, after the last X-address (X=XE), X wraps around to XS and Y increments to address the next row. After the every last address (X=XE and Y=YE) the address pointers wrap around to address (X=XS and Y=YS). For flexibility in handling a wide variety of display architectures, the commands "CASET, RASET" and "MADCTR", define flags MV, MX and MY, which allows mirroring of the X-address and Y-address. All combinations of flags are allowed. Table 3 show the available combinations of writing to the display RAM. When MX, MY and MV will be changed the data must be rewritten to the display RAM.

For each image condition, the controls for the column and row counters apply as below:

Condition	Column Counter	Row Counter
When RAMWR command is accepted	Return to "Start Column (XS)"	Return to "Start Row (YS)"
Complete Pixel Read / Write action	Increment by 1	No change
The Column counter value is larger than "End Column (XE)"	Return to "Start Column (XS)"	Increment by 1
The Column counter value is larger than "End Column (XE)" and the Row counter value is larger than "End Row (YE)"	Return to "Start Column (XS)"	Return to "Start Row (YS)"

Display Data Direction	MADCTR Parameter			Image in the Host (MPU)	Image in the Driver (DDRAM)
	MV	MX	MY		
Normal	0	0	0		
Y-Mirror	0	0	1		
X-Mirror	0	1	0		
X-Mirror Y-Mirror	0	1	1		
X-Y Exchange	1	0	0		
X-Y Exchange Y-Mirror	1	0	1		
X-Y Exchange X-Mirror	1	1	0		
X-Y Exchange X-Mirror Y-Mirror	1	1	1		

Table 3 Frame Data Write Direction According to the MADCTR parameters (MV, MX and MY)

7.4.3. I/O Buffer Circuit

It is the bi-directional buffer used when MPU reads or writes the DDRAM. Since MPU's read or write of DDRAM is performed independently from data output to the display data latch circuit, asynchronous access to the DDRAM when the LCD is turned on does not cause troubles such as flicking of the display images.

7.4.4. Scroll Address Circuit

The circuit associates lines on DDRAM with COM output. ST7687S processes signals for the liquid crystal display on 1-line basis. Thus, when specifying a specific area in the area scroll display or partial display, you must designate it in line.

7.4.5. Display data Latch Circuit

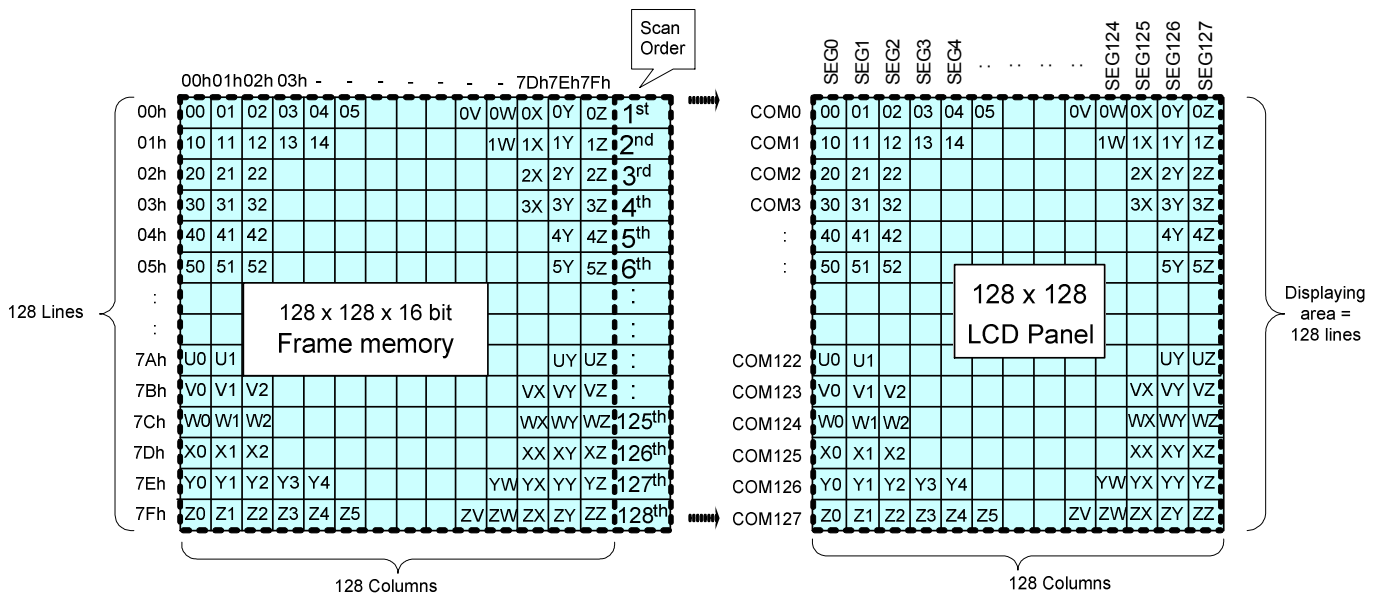
This circuit is used to temporarily hold display data to be output from the DDRAM to the SEG decoder circuit. Since display normal/inverse and display on/off commands are used to control data in the latch circuit alone, they do not modify data in the DDRAM.

7.4.6. Normal Display On or Partial Mode On, Vertical Scroll Off

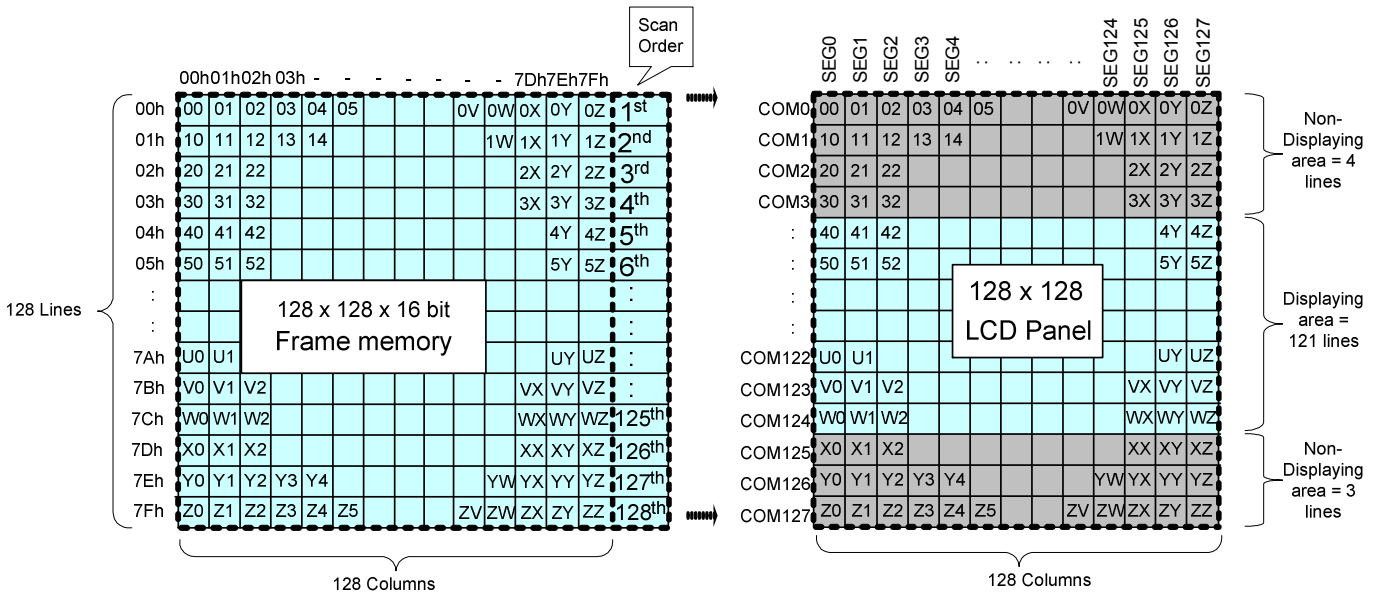
In this mode, contents of the frame memory within an area where column address is 00h to 7Fh and row address is 00h to 7Fh is displayed.

To display a dot on leftmost top corner, store the dot data at (column address, row address) = (0,0).

Example1) Normal Display On



Example2) Partial Display On: PSL[6:0] = 04h, PEL[6:0] = 7Ch, MADCTR (ML)=0



7.4.7. Vertical Scroll/Rolling Scroll

7.4.7.1. Rolling Scroll

There is just one types of vertical scrolling, which are determined by the commands “Vertical Scrolling Definition” (33h) and “Vertical Scrolling Start Address” (37h).

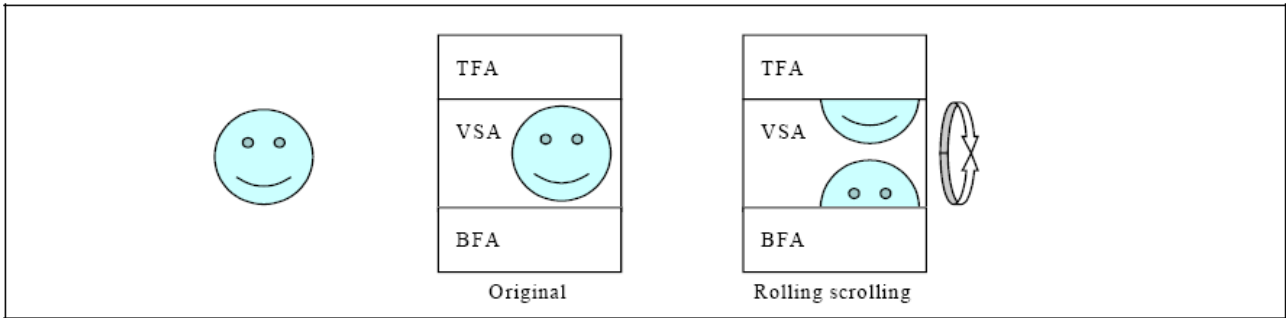
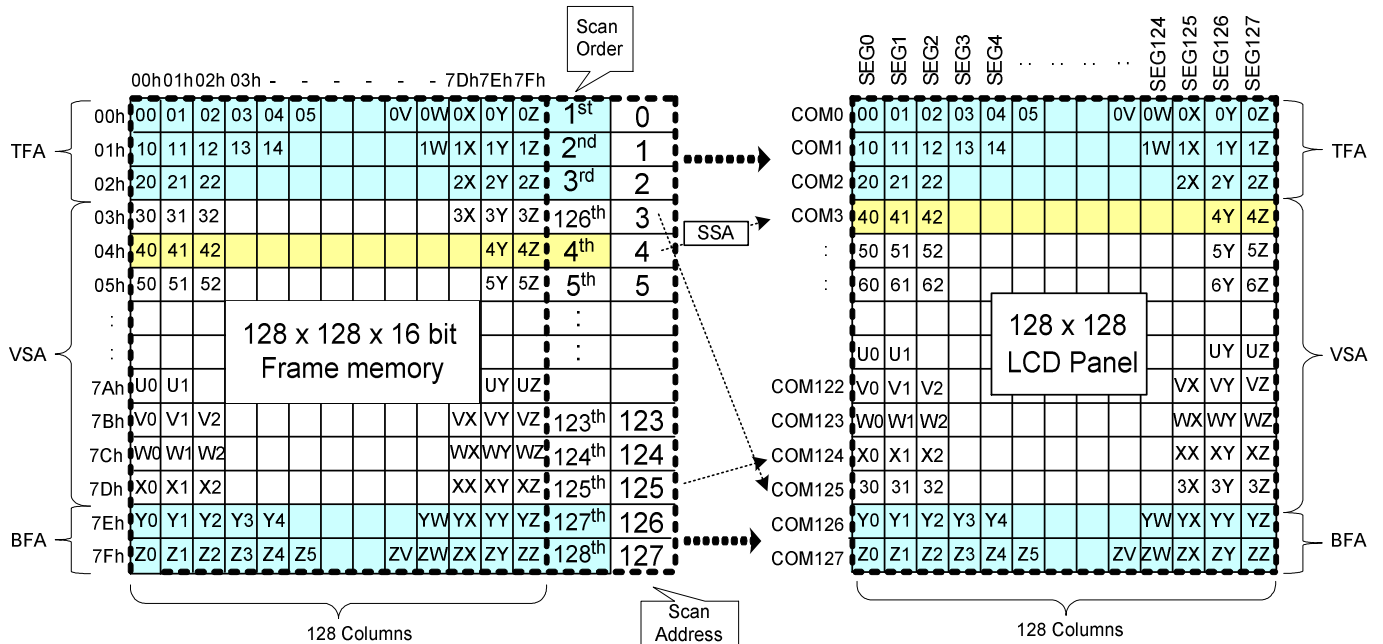


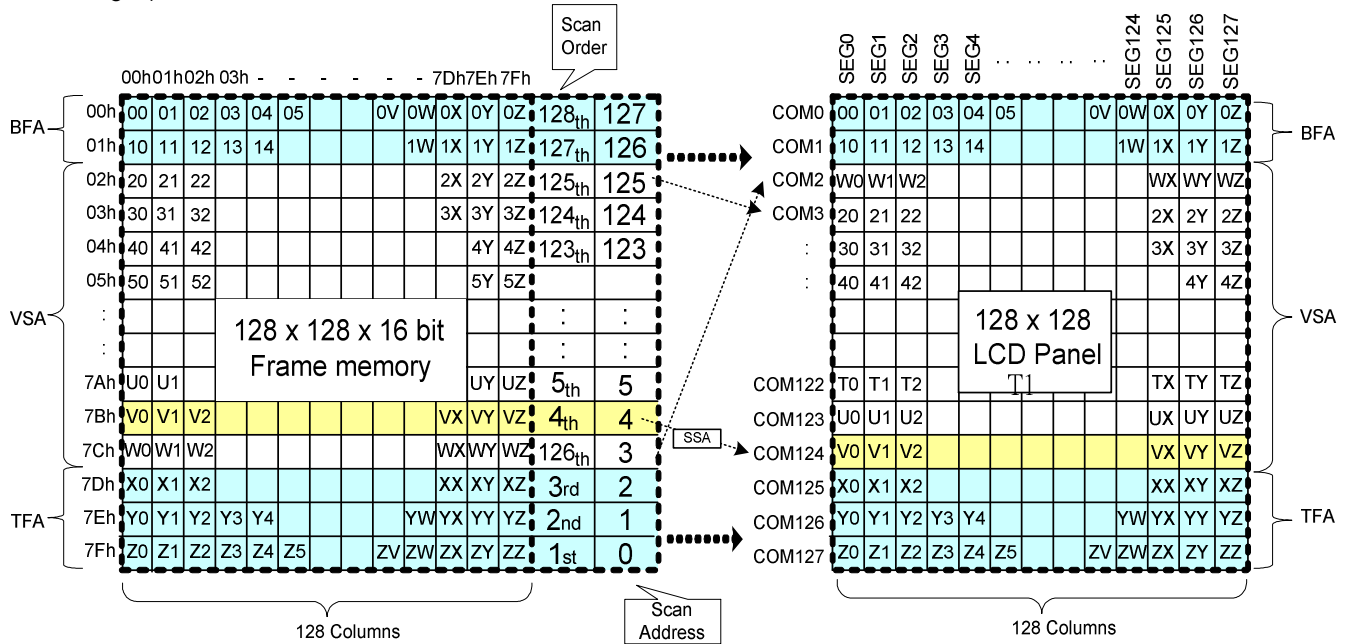
Figure 3 Rolling Scroll Definition

When Vertical Scrolling Definition Parameters (TFA+VSA+BFA) =128. In this case, ‘rolling’ scrolling is applied as shown below. All the memory contents will be used.

Example1) Panel size=128 x 128, TFA =3, VSA=123, BFA=2, SSA=4, MADCTR ML=0: Rolling Scroll



Example2) Panel size=128 x 128, TFA =3, VSA=123, BFA=2, SSA=4, MADCTR ML=1: Rolling Scroll (TFA and BFA are exchanged)



7.4.7.2. Vertical Scroll Example

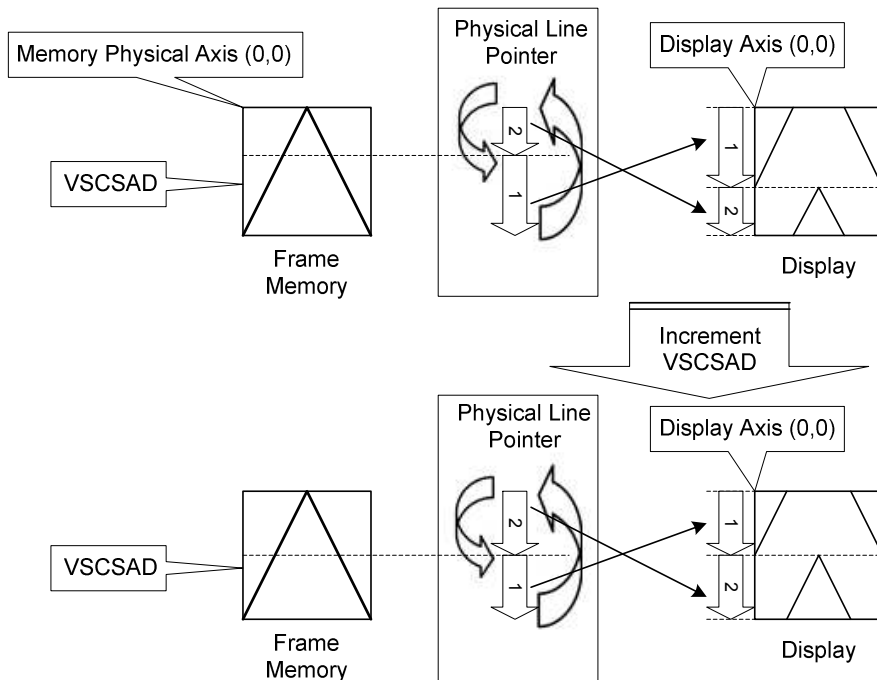
There are 2 types of vertical scrolling, which are determined by the commands “Vertical Scrolling Definition” (33h) and “Vertical Scrolling Start Address” (37h).

Case 1: $TFA + VSA + BFA < 128$

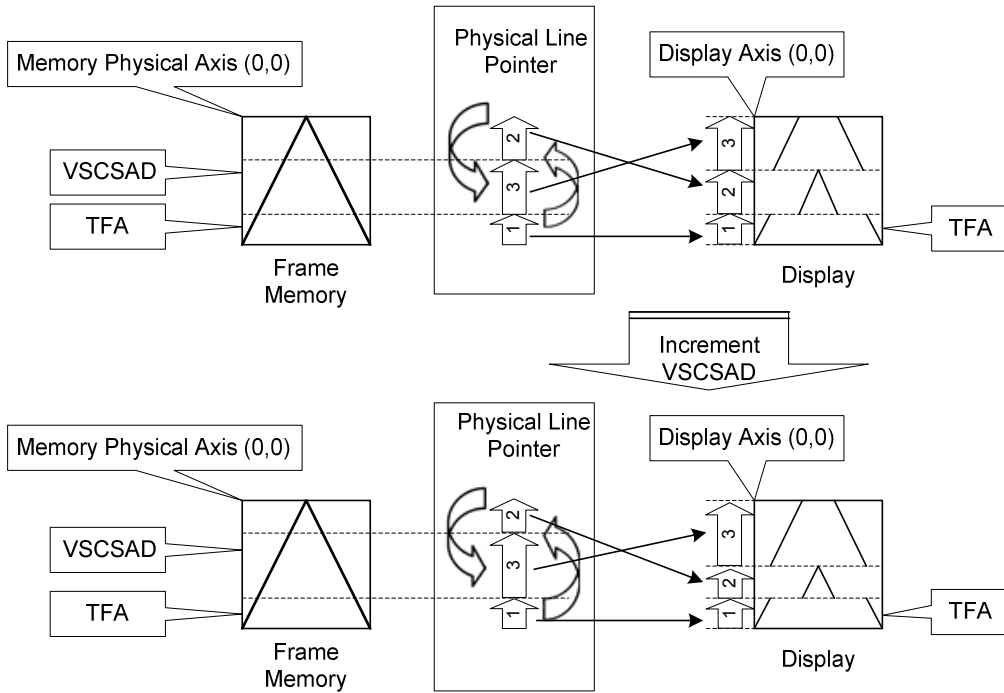
N/A. Do not set $TFA + VSA + BFA < 128$. In that case, unexpected picture will be shown.

Case 2: $TFA + VSA + BFA = 128$ (Rolling Scrolling)

Example1) When MADCTR parameter ML=“0”, TFA=0, VSA=128, BFA=0 and VSCSAD=40.



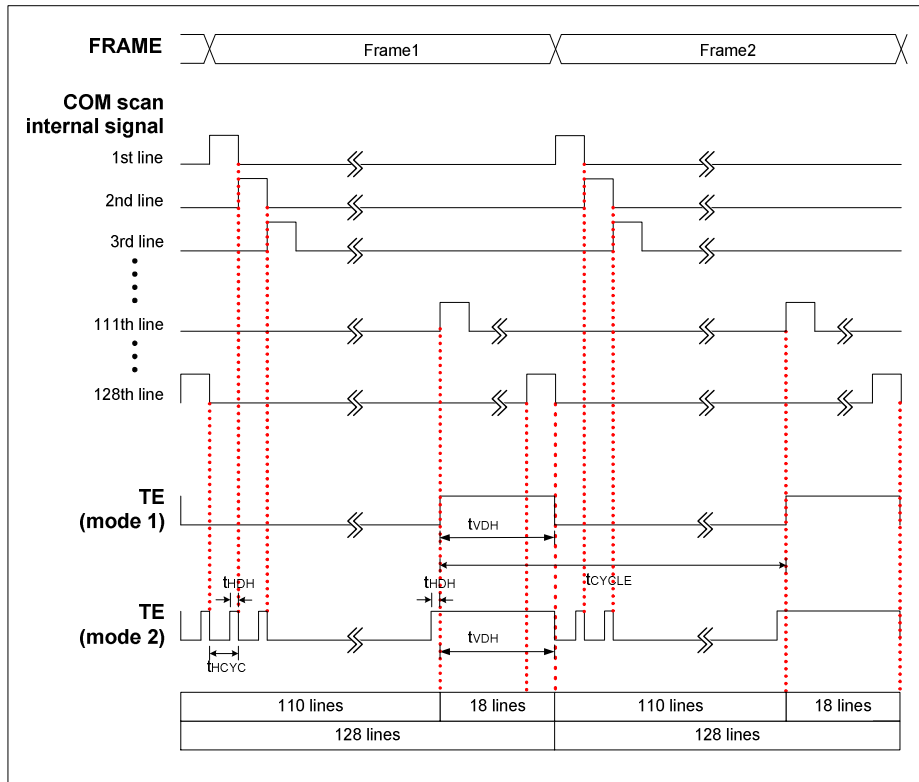
Example2) When MADCTR parameter ML="1", TFA=10, VSA=118, BFA=0 and VSCSAD=30.



7.4.8. Tearing Effect Output Line

The Tearing Effect output line supplies to the MPU a Panel synchronization signal. This signal can be enabled or disabled by the Tearing Effect Line Off & On commands. The signal can be used by the MPU to synchronize Frame Memory Writing when displaying video images.

7.4.8.1. Tearing Effect Line Modes



Mode 1, the Tearing Effect Output signal consists of V-Sync (tVDH) information. It starts at 111th line signal and ends at the 128th line signal. There is one high pulse during each frame.

Mode 2, the Tearing Effect Output signal consists of both H-Sync(tHDH) and V-Sync(tVDH) information. TE pin outputs tHDH pulse on each COM scan signal. During 111th ~ 128th line signal, it output a high pulse which equals: 1 tHDH + 1 tVDH.

Note: During Sleep In Mode, the Tearing Effect Output Pin is active Low.

7.4.8.2. Tearing Effect Line Timing

The Tearing Effect signal is described below:

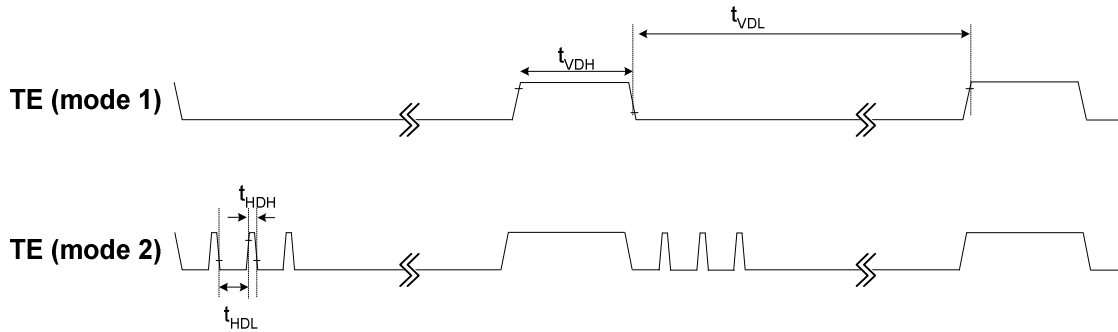
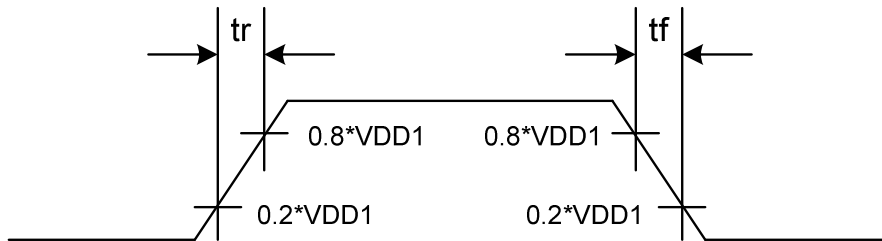


Figure 4 AC characteristics of Tearing Effect Signal

Idle Mode Off (Frame Rate = 77Hz, Nline=0x00)

Symbol	Parameter	Min	Typ	Max	Unit	Description
t_{VDL}	Vertical Timing Low Duration	--	11.11	--	ms	Mode1
t_{VDH}	Vertical Timing High Duration	1	1.82	--	ms	
t_{HDL}	Horizontal Timing Low Duration	-	92	--	us	Mode2
t_{HDH}	Horizontal Timing High Duration	3	6	--	us	

Note: The signal's rise and fall times (t_f , t_r) are stipulated to be equal to or less than 15ns.



7.5 Gray-Scale Display

ST7687S incorporates a 4FRC & 31 PWM function circuit to display a 64 gray-scale display.

7.6 Oscillation circuit

ST7687S is built-in an oscillator circuit. It provides internal clock without external resistor. This oscillator signal is used in the voltage converter and display timing generation circuit.

7.7 Display Timing Generator Circuit

This circuit generates some signals to be used for displaying LCD. The display clock, which is generated by oscillation clock, generates the clock for the line counter and the signal for the display data latch. The line address of on-chip RAM is generated in synchronization with the display clock and the display data latch circuit latches the 128-bits display data in synchronization with the display clock. The display data, which is read to the LCD driver, is completely independent of the access to the display data RAM from the microprocessor. The display clock generates an LCD AC signal (M), which enables the LCD driver to make an AC drive waveform, and also generates an internal common timing signal and start signal to the common driver. The frame signal or the line signal changes the M by setting internal instruction. Driving waveform and internal timing signal are shown in Figure 5.

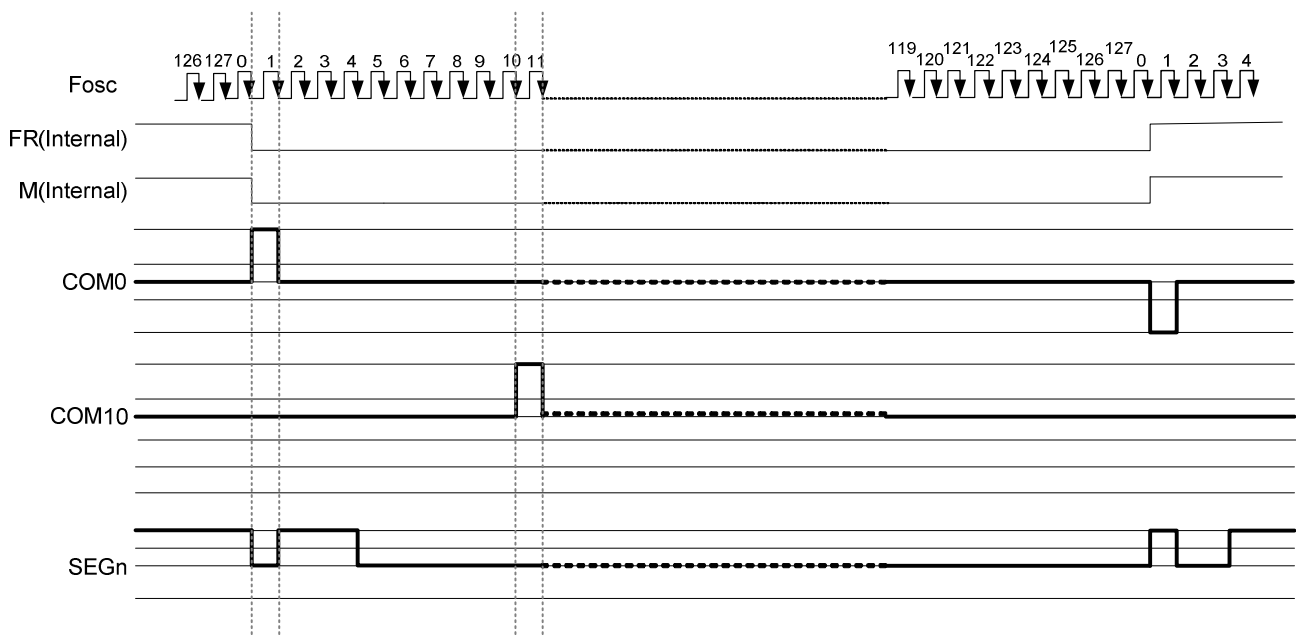


Figure 5 2-frame AC Driving Waveform (Duty Ratio: 1/128)

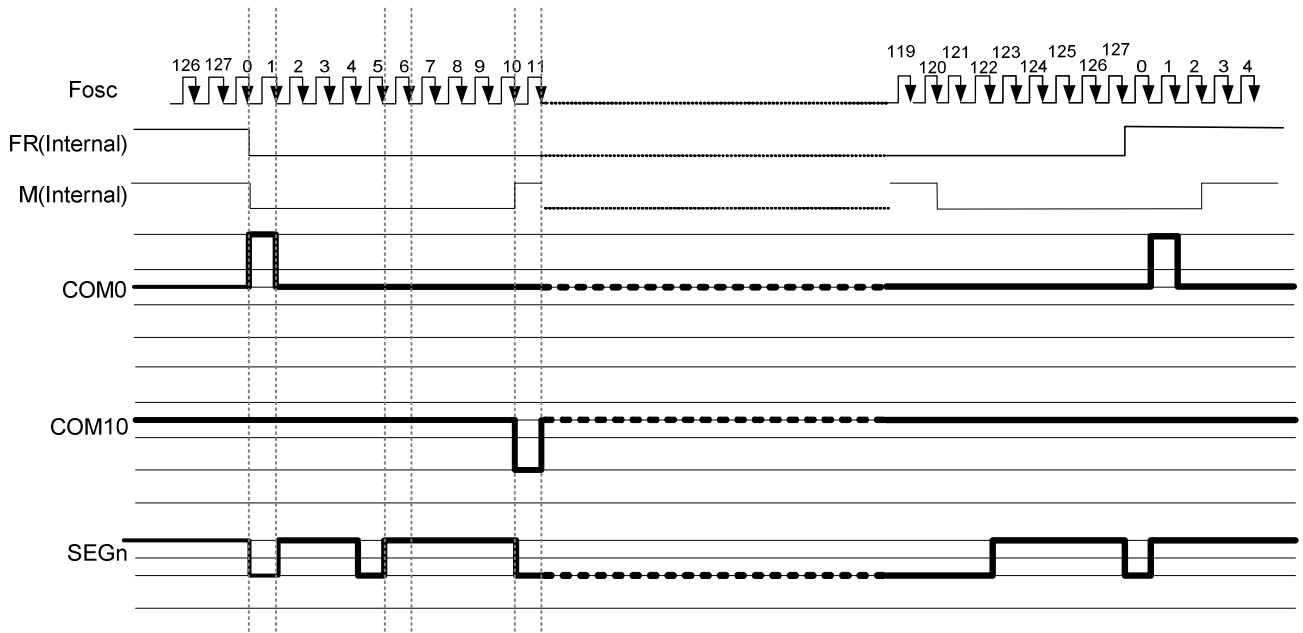


Figure 6 N-Line Inversion Driving Waveform (N=10, Duty Ratio=1/128)

7.8 Power Level Definition

7.8.1. Power ON/OFF SEQUENCE

NOTE: VDDI=VDD; VDDA=VDD2, VDD3, VDD4, VDD5

During power off, if LCD is in the Sleep Out mode, VDDA and VDDI must be powered down minimum 120msec after /RST has been released.

During power off, if LCD is in the Sleep In mode, VDDI or VDDA can be powered down minimum 0msec after /RST has been released.

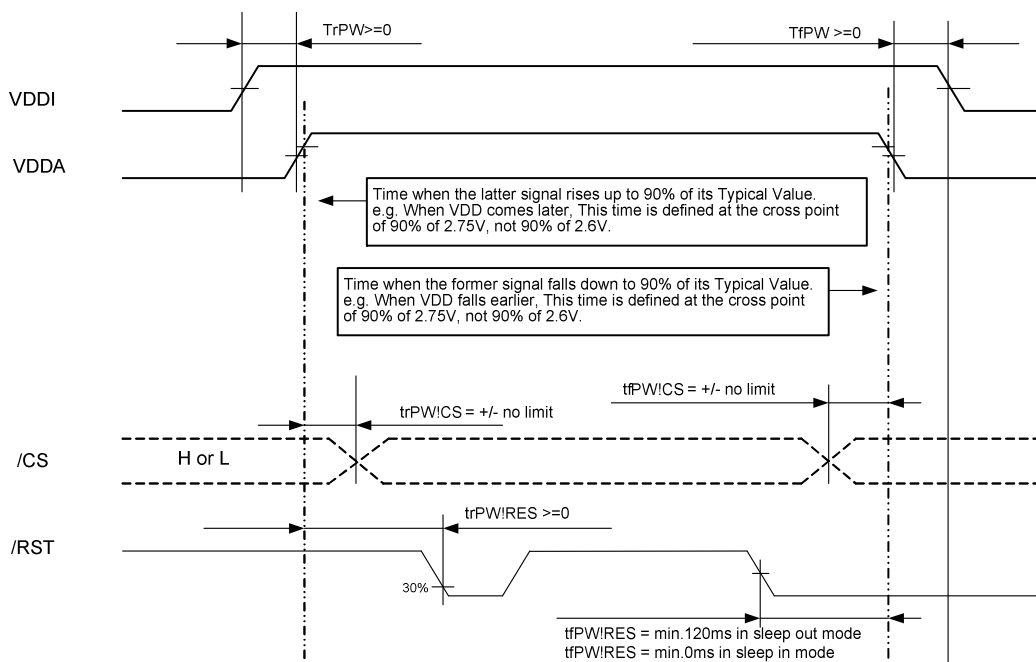
/CS can be applied at any timing or can be permanently grounded. /RST has priority over /CS.

If /RST line is not held stable by host during Power On Sequence as defined in Sections case1 and case2, then it will be necessary to apply a Hardware Reset (/RST) after Host Power On Sequence is complete to ensure correct operation. Otherwise function is not guaranteed.

The power on/off sequence is illustrated below:

/RST line is held High or Unstable by Host at Power On

If /RST line is held High or unstable by the host during Power On, then a Hardware Reset must be applied after both VDDA and VDDI have been applied – otherwise correct functionality is not guaranteed. There is no timing restriction upon this hardware reset.



Note: Unless otherwise specified, timings herein show cross point at 50% of signal/power level.

7.8.2. Power Levels

6 level modes are defined they are in order of Maximum Power consumption to Minimum Power Consumption:

1. Normal Mode On (full display), Idle Mode Off, Sleep Out:

In this mode, the display is able to show maximum 65K colors.

2. Partial Mode On, Idle Mode Off, Sleep Out:

In this mode part of the display is used with maximum 65K colors.

3. Normal Mode On (full display), Idle Mode On, Sleep Out:

In this mode, the full display area is used but with 8 colors.

4. Partial Mode On, Idle Mode On, Sleep Out:

In this mode, part of the display is used but with 8 colors.

5. Sleep In Mode:

In this mode, the DC:DC converter, internal oscillator and panel driver circuit are stopped. Only the MCU interface and memory works with Digital VDD power supply. Contents of the memory are safe.

6. Power Off Mode:

In this mode, both Analog VDD and Digital VDDI are removed.

Note: Transition between modes 1-5 is controllable by MCU commands. Mode 6 is entered only when both Power supplies are removed.

7.9 Liquid Crystal Driver Power Circuit

The Power Supply circuits generate the voltage levels necessary to drive liquid crystal driver circuits with low power consumption and the fewest components. There are voltage converter circuits, voltage regulator circuits, and voltage follower circuits. They are controlled by power control instruction. For details, refers to "Instruction Description".

Figure 7 shows the referenced combinations in using Power Supply circuits.

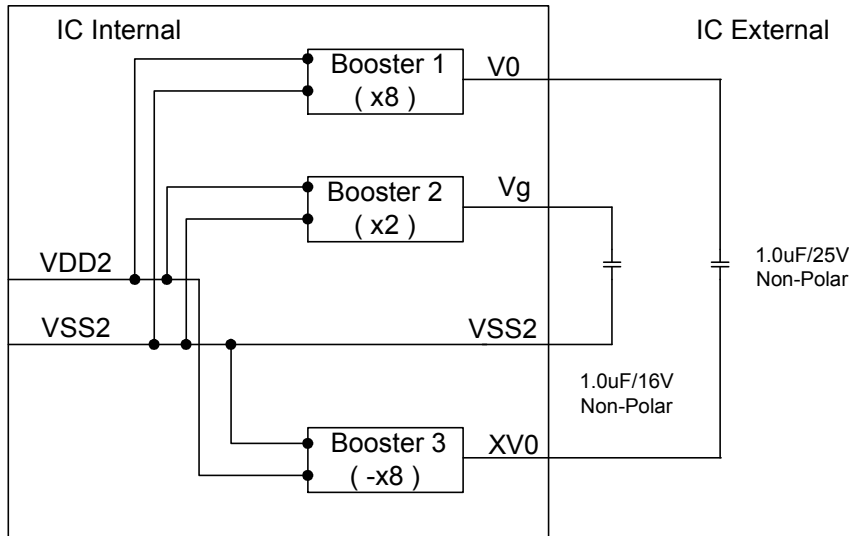


Figure 7 DC/DC Booster Block Diagram

7.9.1. Voltage Regulator Circuits

There is a built-in voltage regulator circuits in ST7687S for generating V0. After internal voltage is regulated by voltage regulator circuit, V0 is generated. Detail explanation of V0 set is listed below:

7.9.1.1. SET V0 (Temperatue = 24°C)

$$V0 = a + \{Vop[8:0] + Vop\text{-offset}[4:0] + (EV[6:0] - 3Fh)\} \times b$$

(V)

Example:

Vop[8:0]=011010010

Vop-offset[4:0]=00000

EV[6:0]=0111111

$V0 = 3.6 + \{ 210 + 0 + (63-63) \} \times 0.04 = 12 \text{ (V)}$

- a is a fixed constant value (see Table4).
- b is a fixed constant value (see Table4).
- Vop [8:0] is the programmed VOP value. The programming range for Vop[8:0] is 0 to 410 (19Ahex).
- The range of contrast is 128 steps for fine tuning VOP.

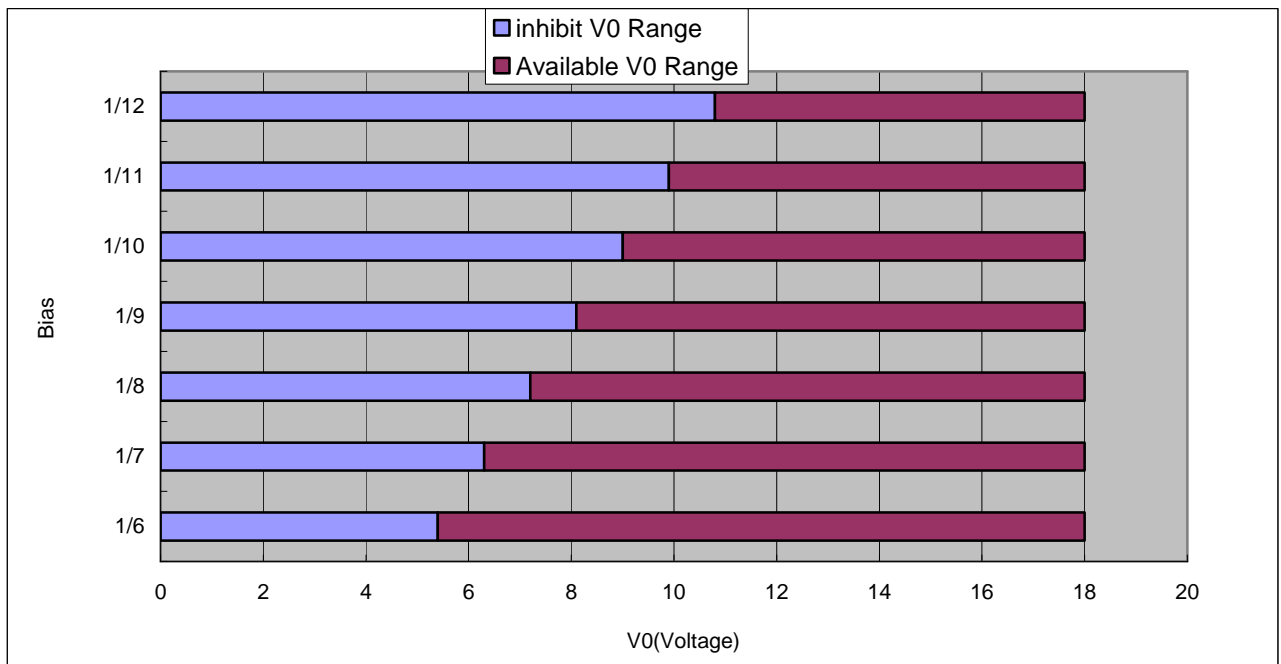
SYMBOL	VALUE	UNIT
a	3.6	V
b	0.04	V

Table4 constant table

V0 restriction:

Because Vg should larger than 1.8V, ST7687s V0 value should be higher than $1.8 \times \text{Bias} / 2$ (V) and lower than 18V. V0 value outside the available range is undefined. Users has to ensure while selecting the temperature compensation that under all conditions and including all tolerances that the V0 voltage remains in the range.

Bias	V0 setting	
	Min	Max
1/6	5.4	18.00
1/7	6.3	18.00
1/8	7.2	18.00
1/9	8.1	18.00
1/10	9	18.00
1/11	9.9	18.00
1/12	10.8	18.00



7.9.1.2. SET V0 with temperature compensation

There are 16-line slope in each temperature steps and customer can select one line slope of temperature compensation coefficient for each temperature step. Each temperature step is 8°C. Please see Figure 8 as below.

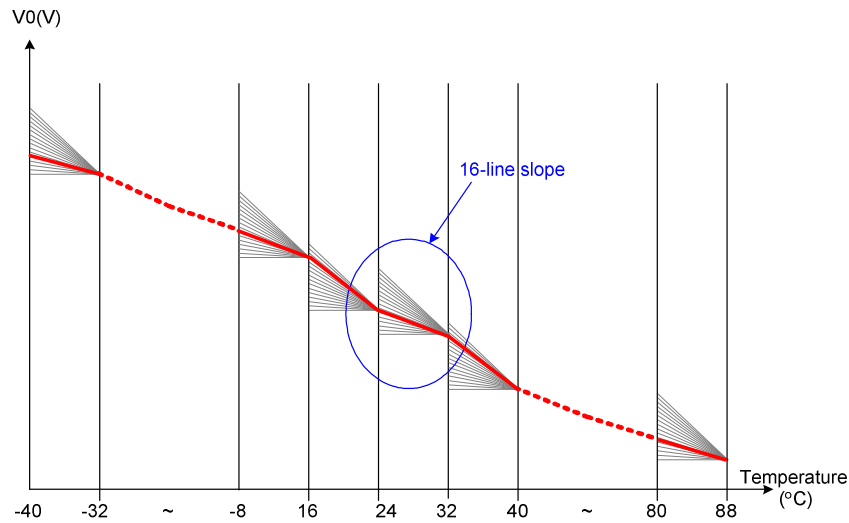
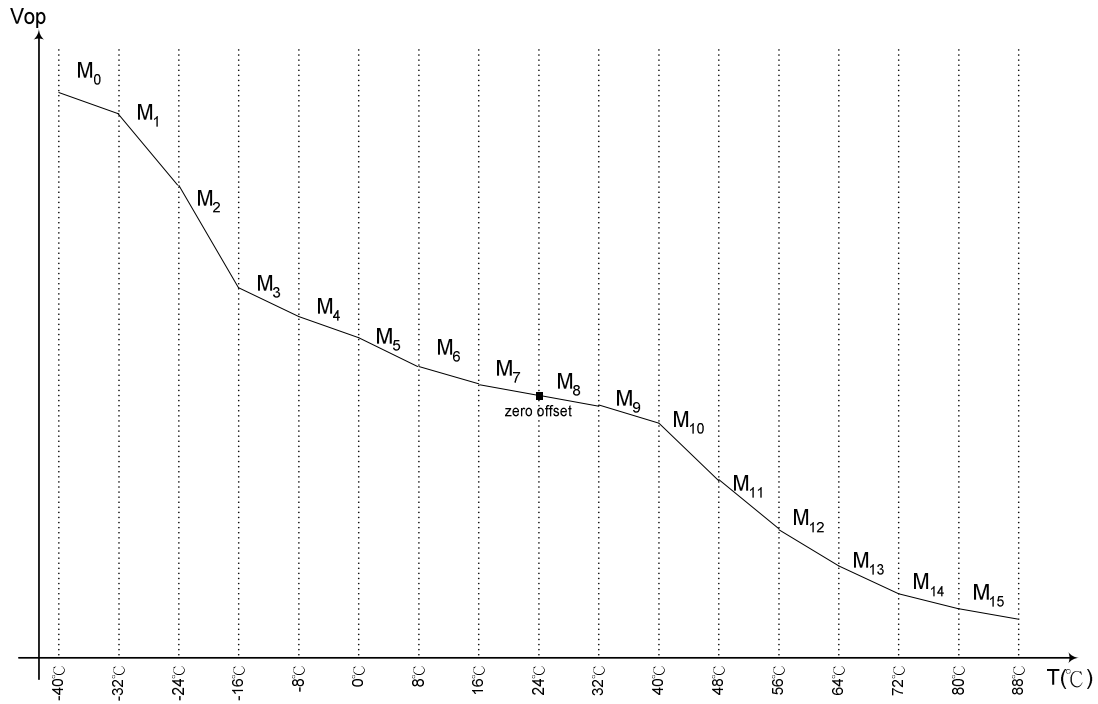


Figure 8 Vop temperature compensation

In command TEMPSEL (see section 8.1.63) each MTx, where x=0, 1, 2,..., E, F, has a value between 0 and 15. MTx = 0 results in 0V increment on V0, MTx = 1 results in Mx=5mV increment, ..., MTx = 15 results in Mx=15x5mV=75mV increment. Note that each MTx individually corresponds to a temperature interval; The relations between Mx and V0 quantity due to temperature V0(T) are described in the equations shown as follows:

Temperature range	Equation V0(V) at temperature=T°C
$-40^{\circ}\text{C} \leq T < -32^{\circ}\text{C}$	$V0(T) = V0(T_{24}) + (-32-T) \cdot M0 + (M1 + M2 + M3 + M4 + M5 + M6 + M7) \cdot 8$
$-32^{\circ}\text{C} \leq T < -24^{\circ}\text{C}$	$V0(T) = V0(T_{24}) + (-24-T) \cdot M1 + (M2 + M3 + M4 + M5 + M6 + M7) \cdot 8$
$-24^{\circ}\text{C} \leq T < -16^{\circ}\text{C}$	$V0(T) = V0(T_{24}) + (-16-T) \cdot M2 + (M3 + M4 + M5 + M6 + M7) \cdot 8$
$-16^{\circ}\text{C} \leq T < -8^{\circ}\text{C}$	$V0(T) = V0(T_{24}) + (-8-T) \cdot M3 + (M4 + M5 + M6 + M7) \cdot 8$
$-8^{\circ}\text{C} \leq T < 0^{\circ}\text{C}$	$V0(T) = V0(T_{24}) + (0-T) \cdot M4 + (M5 + M6 + M7) \cdot 8$
$0^{\circ}\text{C} \leq T < 8^{\circ}\text{C}$	$V0(T) = V0(T_{24}) + (8-T) \cdot M5 + (M6 + M7) \cdot 8$
$8^{\circ}\text{C} \leq T < 16^{\circ}\text{C}$	$V0(T) = V0(T_{24}) + (16-T) \cdot M6 + M7 \cdot 8$
$16^{\circ}\text{C} \leq T < 24^{\circ}\text{C}$	$V0(T) = V0(T_{24}) + (24-T) \cdot M7$
$24^{\circ}\text{C} \leq T < 32^{\circ}\text{C}$	$V0(T) = V0(T_{24}) - (T-24) \cdot M8$
$32^{\circ}\text{C} \leq T < 40^{\circ}\text{C}$	$V0(T) = V0(T_{24}) - (T-32) \cdot M9 - M8 \cdot 8$
$40^{\circ}\text{C} \leq T < 48^{\circ}\text{C}$	$V0(T) = V0(T_{24}) - (T-40) \cdot M10 - (M9 + M8) \cdot 8$
$48^{\circ}\text{C} \leq T < 56^{\circ}\text{C}$	$V0(T) = V0(T_{24}) - (T-48) \cdot M11 - (M10 + M9 + M8) \cdot 8$
$56^{\circ}\text{C} \leq T < 64^{\circ}\text{C}$	$V0(T) = V0(T_{24}) - (T-56) \cdot M12 - (M11 + M10 + M9 + M8) \cdot 8$
$64^{\circ}\text{C} \leq T < 72^{\circ}\text{C}$	$V0(T) = V0(T_{24}) - (T-64) \cdot M13 - (M12 + M11 + M10 + M9 + M8) \cdot 8$
$72^{\circ}\text{C} \leq T < 80^{\circ}\text{C}$	$V0(T) = V0(T_{24}) - (T-72) \cdot M14 - (M13 + M12 + M11 + M10 + M9 + M8) \cdot 8$
$80^{\circ}\text{C} \leq T < 88^{\circ}\text{C}$	$V0(T) = V0(T_{24}) - (T-80) \cdot M15 - (M14 + M13 + M12 + M11 + M10 + M9 + M8) \cdot 8$



Note:

Please make sure to avoid any kind of heating source closing to ST7687s such as back light, to prevent Vop is not anticipative because of temperature compensate circuit worked.

7.9.1.3. V0 fine tuning

ST7687S has 2 commands for fine tuning V0. These commands are VopOffsetInc (see section 8.1.43) and VopOffsetDec (see section 8.1.44). When writing VopOffsetInc into IC for each time, V0 would increase 40mV; when writing VopOffsetDec into IC for each time, V0 would decrease 40mV.

Example:

Vop[8:0]=011010010

EV[6:0]=0111111

VopOffsetInc x2

→ V0=3.6 + { 210 + (63-63) } x 0.04 + 0.04x2 =12.08 (V)

7.9.2. Voltage Follower Circuits

There is a build-in voltage follower circuits in ST7687S for generating Vg and Vm. These voltages are decided by bias ratio selection circuitry which is set by users with software to control 1/6 to 1/12 bias ratios to match the optimum display performance of LCD panel. Bias driving rule is listed below:

LCD bias	Vg	Vm
1/N bias	(2/N) x V0	(1/N) x V0

N=6 to 12

7.9.3. EEPROM Setting Flow

ST7687S provides the Write and Read function to write the electronic control value and built-in resistance ratio into built-in EEPROM, and then read them from it. Using the Write and Read functions, you can store these values appropriate to each LCD panel. This function is very convenient for user in setting from some different panel's voltage. But using this function must attention the setting procedure. Please see the following diagram.

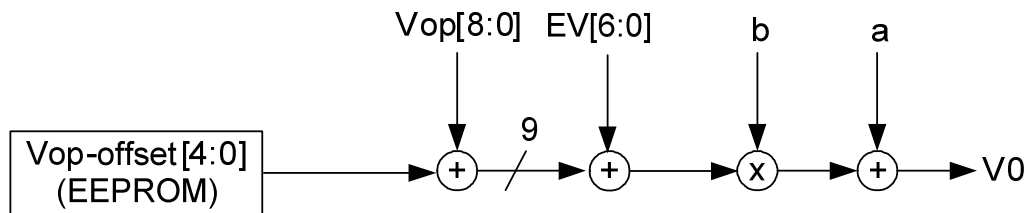


Figure 9 V0 value control for different modules by loading EEPROM offset

Note1: This setting flow is used for LCM assembler.

Note2: EEPROM shouldn't be written without preceding loading correctly from EEPROM in order to avoid some errors during IC operation.

Note3: When writing value to EEPROM, the voltage of VPP must be 21V; the current of Ivpp must be more than 4mA.

Note4: If the EEPROM is exposed to a high temperature for hours, data in the memory cell may probably be lost before the data retention guarantee period. To retain data in the memory cell, keep the memory cell below 90°C. The data retention guarantee period is specified including the retention period.

7.10 Frquency Temperature Gradient Compensation Coefficient

ST7687S will auto-switch frame rate on different temperature such as Figure 10. TA, TB and TC are frame rate switching temperatures which can be defined by customer with command Tmprng(see section 8.1.61). FA, FB, FC and FD are switched frame rate which also can be defined by customer with command FRMSEL (see section 8.1.56). The frame rate range is from 38.5Hz to 170Hz.

When the temperature is in increasing state, frame rate changes to the higher step at TA/TB/TC+TH(°C). When the temperature is in decreasing state, frame rate changes to the lower step at TA/TB/TC. For example: TC=10°C and TH=5°C, FC switches to FD at 15°C but FD switches to FC at 10°C. Please take Figure 10 for reference.

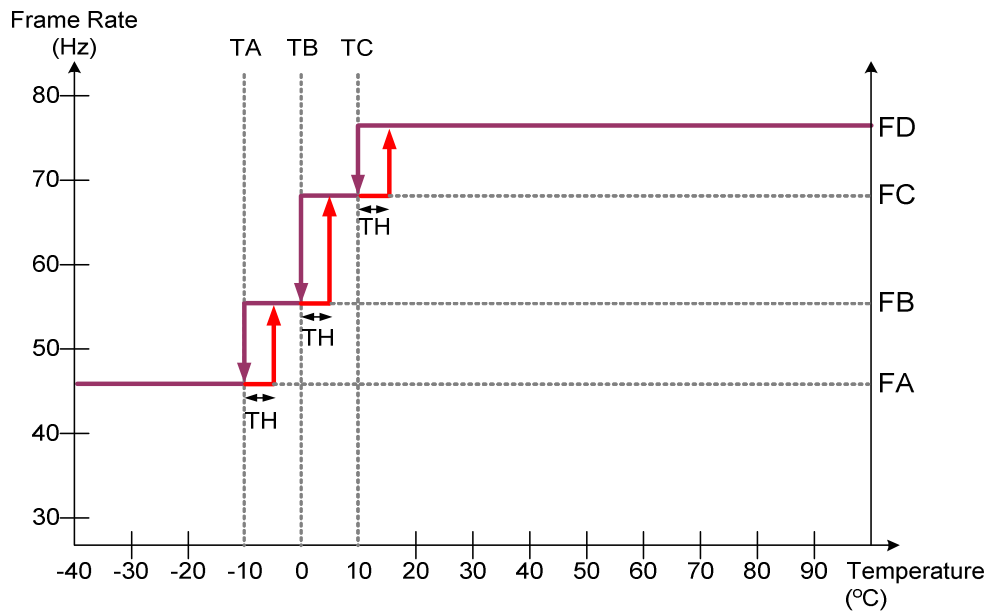


Figure 10 Frame rate temperature compensation

7.11 Reset Circuit

The registers that are initialized are listed below.

Item	After Power On	After Software Reset	After Hardware Reset
Frame memory (RAM data)	Random	No Change	No Change
RDDPM	08h	08h	08h
RDDMADCTR	00h	No Change	00h
RDDCOLMOD	05h (16-Bit/Pixel)	No Change	05h (16-Bit/Pixel)
RDDIM	00h	00h	00h
RDDSM	00h	00h	00h
Sleep In/Out	In	In	In
Display mode (normal/partial)	Normal	Normal	Normal
Display Inversion On/Off	Off	Off	Off
All Pixel Off mode	Disable	Disable	Disable
All Pixel On mode	Disable	Disable	Disable
Contrast (EV)	3Fh	3Fh	3Fh
Display On/Off	Display Off	Display Off	Display Off
Column: Start Address (XS)	00h	00h	00h
Column: End Address (XE)	7Fh	7Fh (when MV=0/1)	7Fh
Row: Start Address (YS)	00h	00h	00h
Row: End Address (YE)	7Fh	7Fh (when MV=0/1)	7Fh
Partial: Start Address (PS)	00h	00h	00h
Partial: End Address (PE)	7Fh	7Fh	7Fh
Scroll: Top Fixed Area (TFA)	00h	00h	00h
Scroll: Scroll Area (VSA)	80h	80h	80h
Scroll: Bottom Fixed Area (BFA)	00h	00h	00h
Memory Data Access Control MY/MX/MV/ML/RGB)	0/0/0/0/0	No Change	0/0/0/0/0
Scroll Start Address (SSA)	00h	00h	00h
Idle Mode On/Off	Off	Off	Off
ID	Set by customer	Set by customer	Set by customer
Drive Duty	7Fh	7Fh	7Fh
First Common	00h	00h	00h
FOSC Divider	No division	No division	No division
Vop	0D2h	0D2h	0D2h
Vop Offset increase/decrease	disable	disable	disable
Bias	1/9 Bias	1/9 Bias	1/9 Bias
Booster setting	8x	8x	8x
Booster Efficiency	01	01	01
EEPCIN	0	0	0
Frame Frequency in Normal Color (FA/FB/FC/FD)	48.5Hz/64.6Hz/64.6Hz/77.6Hz	48.5Hz/64.6Hz/64.6Hz/77.6Hz	48.5Hz/64.6Hz/64.6Hz/77.6Hz
Frame Frequency in 8-Color (Idle)(F8A/F8B/F8C/F8D)	48.5Hz/64.6Hz/64.6Hz/77.6Hz	48.5Hz/64.6Hz/64.6Hz/77.6Hz	48.5Hz/64.6Hz/64.6Hz/77.6Hz
Temperature Range (TA/TB/TC)	-10°C/0°C/10°C	-10°C/0°C/10°C	-10°C/0°C/10°C
Temperature Hysteresis (TH)	4°C	4°C	4°C

8. INSTRUCTIONS

8.1 Instruction table

Command Table														
Hex	Command	A0	/RD	/WR	D7	D6	D5	D4	D3	D2	D1	D0	Function	Ref
(00h)	NOP	0	1	0	0	0	0	0	0	0	0	0	No Operation	8.1.1
(01h)	SWRESET	0	1	0	0	0	0	0	0	0	0	1	Software reset	8.1.2
(09h)	RDDST	0	1	0	0	0	0	0	1	0	0	1	Read Display Status	8.1.3
-		1	0	1	-	-	-	-	-	-	-	-	Dummy read	
-		1	0	1	ST31	ST30	ST29	ST28	ST27	ST26	ST25	ST24	(D31-D24)	
-		1	0	1	ST23	ST22	ST21	ST20	ST19	ST18	ST17	ST16	(D23-D16)	
-		1	0	1	ST15	ST14	ST13	ST12	ST11	ST10	ST9	ST8	(D15-D8)	
-		1	0	1	ST7	ST6	ST5	ST4	ST3	ST2	ST1	ST0	(D7-D0)	
(0Ah)	RDDPM	0	1	0	0	0	0	0	1	0	1	0	Read Display Power Mode	8.1.4
-		1	0	1	-	-	-	-	-	-	-	-	Dummy read	
-		1	0	1	D7	D6	D5	D4	D3	D2	0	0	-	
(0Bh)	RDDMADCTR	0	1	0	0	0	0	0	1	0	1	1	Read Display MADCTR	8.1.5
-		1	0	1	-	-	-	-	-	-	-	-	Dummy read	
-		1	0	1	D7	D6	D5	D4	D3	0	0	0	-	
(0Ch)	RDDCOLMOD	0	1	0	0	0	0	0	1	1	0	0	Read Display Pixel Format	8.1.6
-		1	0	1	-	-	-	-	-	-	-	-	Dummy read	
-		1	0	1	0	0	0	0	0	D2	D1	D0	-	
(0Dh)	RDDIM	0	1	0	0	0	0	0	1	1	0	1	Read Display Image Mode	8.1.7
-		1	0	1	-	-	-	-	-	-	-	-	Dummy read	
-		1	0	1	D7	0	D5	D4	D3	0	0	0	-	
(0Eh)	RDDSM	0	1	0	0	0	0	0	1	1	1	0	Read Display signal Mode	8.1.8
-		1	0	1	-	-	-	-	-	-	-	-	Dummy read	
-		1	0	1	D7	D6	0	0	0	0	0	0	-	
(10h)	SLPIN	0	1	0	0	0	0	1	0	0	0	0	Sleep in & booster off	8.1.9
(11h)	SLPOUT	0	1	0	0	0	0	1	0	0	0	1	Sleep out & booster on	8.1.10
(12h)	PTLON	0	1	0	0	0	0	1	0	0	1	0	Partial mode on	8.1.11
(13h)	NORON	0	1	0	0	0	0	1	0	0	1	1	Partial off (Normal)	8.1.12
(20h)	INVOFF	0	1	0	0	0	1	0	0	0	0	0	Display inversion off (normal)	8.1.13
(21h)	INVON	0	1	0	0	0	1	0	0	0	0	1	Display inversion on	8.1.14
(22h)	APOFF	0	1	0	0	0	1	0	0	0	1	0	All pixel off (Only for test purpose)	8.1.15
(23h)	APON	0	1	0	0	0	1	0	0	0	1	1	All pixel on (Only for test purpose)	8.1.16

Command Table														
Hex	Command	A0	/RD	/WR	D7	D6	D5	D4	D3	D2	D1	D0	Function	Ref
(25h)	WRCNTR	0	1	0	0	0	1	0	0	1	0	1	Write contrast	8.1.17
-		1	1	0	0	EV6	EV5	EV4	EV3	EV2	EV1	EV0	EV = 0 to 127	
(28h)	DISPOFF	0	1	0	0	0	1	0	1	0	0	0	Display off	8.1.18
(29h)	DISPON	0	1	0	0	0	1	0	1	0	0	1	Display on	8.1.19
(2Ah)	CASET	0	1	0	0	0	1	0	1	0	1	0	Column address set	8.1.20
		1	1	0	0	XS6	XS5	XS4	XS3	XS2	XS1	XS0	X_ADR start: $0 \leq XS \leq 7Fh$	
		1	1	0	0	XE6	XE5	XE4	XE3	XE2	XE1	XE0	X_ADR end: $XS \leq XE \leq 7Fh$	
(2Bh)	RASET	0	1	0	0	0	1	0	1	0	1	1	Row address set	8.1.21
		1	1	0	0	YS6	YS5	YS4	YS3	YS2	YS1	YS0	Y_ADR start: $0 \leq YS \leq 7Fh$	
		1	1	0	0	YE6	YE5	YE4	YE3	YE2	YE1	YE0	Y_ADR end: $YS \leq YE \leq 7Fh$	
(2Ch)	RAMWR	0	1	0	0	0	1	0	1	1	0	0	Memory write	8.1.22
		1	1	0	D7	D6	D5	D4	D3	D2	D1	D0	Write data	
(2Eh)	RAMRD	0	1	0	0	0	1	0	1	1	1	0	Memory Read	8.1.23
		1	0	1	-	-	-	-	-	-	-	-	Dummy read	
		1	0	1	D7	D6	D5	D4	D3	D2	D1	D0		
(30h)	PTLAR	0	1	0	0	0	1	1	0	0	0	0	Partial start/end address setting	8.1.24
-		1	1	0	0	PS6	PS5	PS4	PS3	PS2	PS1	PS0	Start address (0~127)	
-		1	1	0	0	PE6	PE5	PE4	PE3	PE2	PE1	PE0	End address (0~127)	
(33h)	SCRLAR	0	1	0	0	0	1	1	0	0	1	1	Scroll Area	8.1.25
-		1	1	0	0	TFA6	TFA5	TFA4	TFA3	TFA2	TFA1	TFA0	TFA=0~128	
-		1	1	0	0	VSA6	VSA5	VSA4	VSA3	VSA2	VSA1	VSA0	VSA=0~128	
-		1	1	0	0	BFA6	BFA5	BFA4	BFA3	BFA2	BFA1	BFA0	BFA=0~128	
(34h)	TEOFF	0	1	0	0	0	1	1	0	1	0	0	Tearing effect line off	8.1.26
(35h)	TEON	0	1	0	0	0	1	1	0	1	0	1	Tearing effect mode set & on	8.1.27
-		1	1	0	-	-	-	-	-	-	-	M	"0": mode1, "1": mode2	
(36h)	MADCTR	0	1	0	0	0	1	1	0	1	1	0	Memory data access control	8.1.28
-		1	1	0	MY	MX	MV	ML	RGB	-	-	-		
(37h)	VSCSAD	0	1	0	0	0	1	1	0	1	1	1	Scroll start address of RAM	8.1.29
		1	1	0	0	SSA6	SSA5	SSA4	SSA3	SSA2	SSA1	SSA0	SSA = 0~128	
(38h)	IDMOFF	0	1	0	0	0	1	1	1	0	0	0	Idle mode off	8.1.30
(39h)	IDMON	0	1	0	0	0	1	1	1	0	0	1	Idle mode on	8.1.31
(3Ah)	COLMOD	0	1	0	0	0	1	1	1	0	1	0	Interface pixel format	8.1.32
-		1	1	0	-	-	-	-	-	P2	P1	P0	Interface format	
(DAh)	RDID	0	1	0	1	1	0	1	1	0	1	0	Read ID	8.1.33

Command Table														
Hex	Command	A0	/RD	/WR	D7	D6	D5	D4	D3	D2	D1	D0	Function	Ref
-		1	0	1	-	-	-	-	-	-	-	-	Dummy read	
-		1	0	1	0	0	0	0	0	0	ID1	ID0	(D1-D0)	
(B0h)	DutySet	0	1	0	1	0	1	1	0	0	0	0	Display Duty setting	8.1.34
		1	1	0	Du7	Du6	Du5	Du4	Du3	Du2	Du1	Du0		
(B1h)	FirstCom	0	1	0	1	0	1	1	0	0	0	1	First Com. Page address	8.1.35
		1	1	0	--	F6	F5	F4	F3	F2	F1	F0		
(B3h)	OscDiv	0	1	0	1	0	1	1	0	0	1	1	FOSC divider	8.1.36
		1	1	0	-	-	-	-	-	-	CLD1	CLD0		
(B5h)	NLInvSet	0	1	0	1	0	1	1	0	1	0	1	N-line control	8.1.37
		1	1	0	M	0	0	N4	N3	N2	N1	N0		
(B7h)	ComScanDir	0	1	0	1	0	1	1	0	1	1	1	Com/Seg Scan Direction for Glass layout	8.1.38
		1	1	0	0	SMX	0	0	S_BGR	0	0	0		
(B8h)	RmwIn	0	1	0	1	0	1	1	1	0	0	0	read modify write control IN	8.1.39
(B9h)	RmwOut	0	1	0	1	0	1	1	1	0	0	1	read modify write control Out	8.1.40
(BDh)	DispCompStep	0	1	0	1	0	1	1	1	1	0	1	Display Compensation Step	8.1.41
		1	1	0	0	0	0	0	0	Step2	Step1	Step0		
(C0h)	VopSet	0	1	0	1	1	0	0	0	0	0	0	Vop setting	8.1.42
		1	1	0	Vop7	Vop6	Vop5	Vop4	Vop3	Vop2	Vop1	Vop0		
		1	1	0	-	-	-	-	-	-	-	Vop8		
(C1h)	VopOfsetInc	0	1	0	1	1	0	0	0	0	0	1	+40mv/setp	8.1.43
(C2h)	VopOfsetDec	0	1	0	1	1	0	0	0	0	1	0	-40mv/setp	8.1.44
(C3h)	BiasSel	0	1	0	1	1	0	0	0	0	1	1	Bias selection	8.1.45
		1	1	0	-	-	-	-	-	Bias2	Bias1	Bias0		
(C4h)	BstBmpXSel	0	1	0	1	1	0	0	0	1	0	0	Booster setting	8.1.46
		1	1	0	-	-	-	-	-	BST2	BST1	BST0		
(CBh)	VgSorSel	0	1	0	1	1	0	0	1	0	1	1	FV3 with Booster x2 control	8.1.47
		1	1	0	-	-	-	-	-	-	-	2BT0		
(CCh)	IDSet	0	1	0	1	1	0	0	1	1	0	0	ID setting	8.1.48
		1	1	0	0	0	0	0	0	0	ID1	ID0		
(D0h)	ANASET	0	1	0	1	1	0	1	0	0	0	0	Analog circuit setting	8.1.49
		1	1	0	0	0	0	1	1	1	0	1		
(D7h)	AutoLoadSet	0	1	0	1	1	0	1	0	1	1	1	EEPROM data auto re-load control	8.1.50
		1	1	0	1	0	-	ARD	1	1	1	1		

Command Table														
Hex	Command	A0	/RD	/WR	D7	D6	D5	D4	D3	D2	D1	D0	Function	Ref
(DEh)	RDTstStatus	0	1	0	1	1	0	1	1	1	1	0	read IC status	8.1.51
		1	0	1	-	-	-	-	-	-	-	-	Dummy Read	
		1	0	1	RD7	RD6	RD5	RD4	RD3	RD2	RD1	RD0		
(E0h)	EEPCIN	0	1	0	1	1	1	0	0	0	0	0	EEPROM control in	8.1.52
		1	1	0	0	0	0	WR/E RS/RD	0	0	0	0		
(E1h)	EEPCOUT	0	1	0	1	1	1	0	0	0	0	1	EEPROM control out	8.1.53
(E2h)	EEPWR	0	1	0	1	1	1	0	0	0	1	0	Write to EEPROM	8.1.54
(E3h)	EEPRD	0	1	0	1	1	1	0	0	0	1	1	Read from EEPROM	8.1.55
(E5h)	ROMSET	0	1	0	1	1	1	0	0	1	0	1	Programmable rom setting	8.1.56
		1	1	0	0	0	0	0	1	1	1	1		
(E8h)	LVMS	0	1	0	1	1	1	0	1	0	0	0	Low voltage mode setting	8.1.57
		1	1	0	1	0	0	0	1	1	0	1		
		1	1	0	0	0	0	0	1	1	0	1		
		1	1	0	0	0	0	1	1	1	0	0		
(ECh)	DispCompStep2	0	1	0	1	0	1	1	1	1	0	1	Display Compensation Step2	8.1.58
		1	1	0	0	0	0	0	Step3	Step2	Step1	Step0		
(F0h)	FRMSEL	0	1	0	1	1	1	1	0	0	0	0	Frame Freq. in Temp range A,B,C and D	8.1.59
		1	1	0	-	-	-	DIVA	FA3	FA2	FA1	FA0		
		1	1	0	-	-	-	DIVB	FB3	FB2	FB1	FB0		
		1	1	0	-	-	-	DIVC	FC3	FC2	FC1	FC0		
		1	1	0	-	-	-	DIVD	FD3	FD2	FD1	FD0		
(F1h)	FRM8SEL	0	1	0	1	1	1	1	0	0	0	1	Frame Freq. in Temp range A,B,C and D (idle)	8.1.60
		1	1	0	-	-	-	F8A4	F8A3	F8A2	F8A1	F8A0		
		1	1	0	-	-	-	F8B4	F8B3	F8B2	F8B1	F8B0		
		1	1	0	-	-	-	F8C4	F8C3	F8C2	F8C1	F8C0		
		1	1	0	-	-	-	F8D4	F8D3	F8D2	F8D1	F8D0		
(F2h)	TMPRNG	0	1	0	1	1	1	1	0	0	1	0	Temp range A,B and C	8.1.61
		1	1	0	-	TA6	TA5	TA4	TA3	TA2	TA1	TA0		
		1	1	0	-	TB6	TB5	TB4	TB3	TB2	TB1	TB0		
		1	1	0	-	TC6	TC5	TC4	TC3	TC2	TC1	TC0		
(F3h)	TMPHYS	0	1	0	1	1	1	1	0	0	1	1	Hysteresis value set	8.1.62
		1	1	0	-	-	-	-	TH3	TH2	TH1	TH0		

Command Table														
Hex	Command	A0	/RD	/WR	D7	D6	D5	D4	D3	D2	D1	D0	Function	Ref
(F4h)	TEMPSEL	0	1	0	1	1	1	1	0	1	0	0	TEMPSEL	8.1.63
		1	1	0	MT13	MT12	MT11	MT10	MT03	MT02	MT01	MT00		
		1	1	0	MT33	MT32	MT31	MT30	MT23	MT22	MT21	MT20		
		1	1	0	MT53	MT52	MT51	MT50	MT43	MT42	MT41	MT40		
		1	1	0	MT73	MT72	MT71	MT70	MT63	MT62	MT61	MT60		
		1	1	0	MT93	MT92	MT91	MT90	MT83	MT82	MT81	MT80		
		1	1	0	MTB3	MTB2	MTB1	MTB0	MTA3	MTA2	MTA1	MTA0		
		1	1	0	MTD3	MTD2	MTD1	MTD0	MTC3	MTC2	MTC1	MTC0		
		1	1	0	MTF3	MTF2	MTF1	MTF0	MTE3	MTE2	MTE1	MTE0		
(F7h)	THYS	0	1	0	1	1	1	1	0	1	1	1	Temperature detection threshold	8.1.64
		1	1	0	THYS7	THYS6	THYS5	THYS4	THYS3	THYS2	THYS1	THYS0		
(F9h)	Frame Set	0	1	0	1	1	1	1	1	0	0	1	Set Frame RGB value	8.1.65
		1	1	0	-	-	-	P14	P13	P12	P11	P10		
		1	1	0	-	-	-	P24	P23	P22	P21	P20		
		:	:	:	:	:	:	:	:	:	:	:		
		1	1	0	-	-	-	P154	P153	P152	P151	P150		
		1	1	0	-	-	-	P164	P163	P162	P161	P160		
(FAh)	EEPANFSEL	0	1	0	1	1	1	1	1	0	1	0	EEPROM function selection	8.1.66
		1	1	0	0	0	0	0	-	ERAE	WRE	-		
(FBh)	EEPERS	0	1	0	1	1	1	1	1	0	1	1	Erase EEPROM	8.1.67

Note:

During Sleep In mode, these commands are updated immediately.

Read status (09H), Read Display Power Mode (0AH), Read Display MADCTR (0BH), Read Display Pixel Format (0CH), Read Display Image Mode (0DH), Read Display Signal Mode (0EH) of these commands is updated immediately both in Sleep In mode and Sleep Out mode

8.1.1. NOP (00h)

Command	A0	/RD	/WR	D7	D6	D5	D4	D3	D2	D1	D0	Hex
NOP	0	1	0	0	0	0	0	0	0	0	0	(00h)
Parameter	No Parameter											

Description	This command is an empty command. It does not have effect on the display module. However it can be used to terminate RAM data write or read as described in RAMWR (Memory Write), RAMRD (Memory Read) and parameter write commands.													
Restriction	-													
Register Availability	<table border="1"> <thead> <tr> <th>Status</th> <th>Availability</th> </tr> </thead> <tbody> <tr> <td>Normal Mode On, Idle Mode Off, Sleep Out</td> <td>Yes</td> </tr> <tr> <td>Normal Mode On, Idle Mode On, Sleep Out</td> <td>Yes</td> </tr> <tr> <td>Partial Mode On, Idle Mode Off, Sleep Out</td> <td>Yes</td> </tr> <tr> <td>Partial Mode On, Idle Mode On, Sleep Out</td> <td>Yes</td> </tr> <tr> <td>Sleep In</td> <td>Yes</td> </tr> </tbody> </table>	Status	Availability	Normal Mode On, Idle Mode Off, Sleep Out	Yes	Normal Mode On, Idle Mode On, Sleep Out	Yes	Partial Mode On, Idle Mode Off, Sleep Out	Yes	Partial Mode On, Idle Mode On, Sleep Out	Yes	Sleep In	Yes	
Status	Availability													
Normal Mode On, Idle Mode Off, Sleep Out	Yes													
Normal Mode On, Idle Mode On, Sleep Out	Yes													
Partial Mode On, Idle Mode Off, Sleep Out	Yes													
Partial Mode On, Idle Mode On, Sleep Out	Yes													
Sleep In	Yes													
Default	<table border="1"> <thead> <tr> <th>Status</th> <th>Default Value</th> </tr> </thead> <tbody> <tr> <td>Power On Sequence</td> <td>N/A</td> </tr> <tr> <td>S/W Reset</td> <td>N/A</td> </tr> <tr> <td>H/W Reset</td> <td>N/A</td> </tr> </tbody> </table>	Status	Default Value	Power On Sequence	N/A	S/W Reset	N/A	H/W Reset	N/A					
Status	Default Value													
Power On Sequence	N/A													
S/W Reset	N/A													
H/W Reset	N/A													
Flow Chart	-													

8.1.2. SWRESET: Software Reset (01h)

Command	A0	/RD	/WR	D7	D6	D5	D4	D3	D2	D1	D0	Hex
SWRESET	0	1	0	0	0	0	0	0	0	0	1	(01h)
Parameter	No Parameter											

Description	<p>When the Software Reset command is written, it causes a software reset. It resets the commands and parameters to their S/W Reset default values and all segment & common outputs are set to Vm (display off: blank display). (See default tables in each command description)</p> <p><i>Note: The Frame Memory contents are not affected by this command.</i></p>												
Restriction	<p>It will be necessary to wait 5msec before sending new command following software reset. The display module loads all display suppliers' factory default values to the registers during 5msec. If Software Reset is applied during Sleep Out mode, it will be necessary to wait 120msec before sending Sleep Out command.</p> <p>Software Reset command cannot be sent during Sleep Out sequence.</p>												
Register Availability	<table border="1"> <thead> <tr> <th>Status</th> <th>Availability</th> </tr> </thead> <tbody> <tr> <td>Normal Mode On, Idle Mode Off, Sleep Out</td> <td>Yes</td> </tr> <tr> <td>Normal Mode On, Idle Mode On, Sleep Out</td> <td>Yes</td> </tr> <tr> <td>Partial Mode On, Idle Mode Off, Sleep Out</td> <td>Yes</td> </tr> <tr> <td>Partial Mode On, Idle Mode On, Sleep Out</td> <td>Yes</td> </tr> <tr> <td>Sleep In</td> <td>Yes</td> </tr> </tbody> </table>	Status	Availability	Normal Mode On, Idle Mode Off, Sleep Out	Yes	Normal Mode On, Idle Mode On, Sleep Out	Yes	Partial Mode On, Idle Mode Off, Sleep Out	Yes	Partial Mode On, Idle Mode On, Sleep Out	Yes	Sleep In	Yes
Status	Availability												
Normal Mode On, Idle Mode Off, Sleep Out	Yes												
Normal Mode On, Idle Mode On, Sleep Out	Yes												
Partial Mode On, Idle Mode Off, Sleep Out	Yes												
Partial Mode On, Idle Mode On, Sleep Out	Yes												
Sleep In	Yes												
Default	<table border="1"> <thead> <tr> <th>Status</th> <th>Default Value</th> </tr> </thead> <tbody> <tr> <td>Power On Sequence</td> <td>N/A</td> </tr> <tr> <td>S/W Reset</td> <td>N/A</td> </tr> <tr> <td>H/W Reset</td> <td>N/A</td> </tr> </tbody> </table>	Status	Default Value	Power On Sequence	N/A	S/W Reset	N/A	H/W Reset	N/A				
Status	Default Value												
Power On Sequence	N/A												
S/W Reset	N/A												
H/W Reset	N/A												
Flow Chart	<pre> graph TD SWRESET[SWRESET] --> Display[Display whole blank screen] Display --> Set[Set Commands to S/W Default Value] Set --> Sleep[Sleep In Mode] </pre> <p>Legend</p> <ul style="list-style-type: none"> Command: Trapezoid Parameter: Parallelogram Display: Oval Action: Hexagon Mode: Rounded rectangle Sequential transfer: Dashed line 												

8.1.3. RDDST: Read Display Status (09h)

NOTE: “-“ Don't care

Command	A0	/RD	/WR	D7	D6	D5	D4	D3	D2	D1	D0	Hex
RDDST	0	1	0	0	0	0	0	1	0	0	1	(09h)
Dummy Read	1	0	1	-	-	-	-	-	-	-	-	-
2 nd parameter	1	0	1	ST31	ST30	ST29	ST28	ST27	ST26	ST25	ST24	-
3 rd parameter	1	0	1	ST23	ST22	ST21	ST20	ST19	ST18	ST17	ST16	-
4 th parameter	1	0	1	ST15	ST14	ST13	ST12	ST11	ST10	ST9	ST8	-
5 th parameter	1	0	1	ST7	ST6	ST5	ST4	ST3	ST2	ST1	ST0	-

Description	This command indicates the current status of the display as described in the table below:		
	Bit	Description	Value
	ST31	Booster Voltage Status	“1”=Booster on, “0”=off
	ST30	Row Address Order (MY)	“1”=Decrement, “0”=Increment
	ST29	Column Address Order (MX)	“1”=Decrement, “0”=Increment
	ST28	Row/Column Order (MV)	“1”= Row/column exchange (MV=1) “0”= Normal (MV=0)
	ST27	Scan Address Order (ML)	“1”=Decrement, “0”=Increment
	ST26	RGB/BGR Order (RGB)	“1”=BGR, “0”=RGB
	ST25	Not Used	“0”
	ST24	Not Used	“0”
	ST23	Not Used	“0”
	ST22	Interface Color Pixel Format Definition	“101” = 16-bit / pixel,
	ST21		
	ST20		
	ST19	Idle Mode On/Off	“1” = On, “0” = Off
	ST18	Partial Mode On/Off	“1” = On, “0” = Off
	ST17	Sleep In/Out	“1” = Out, “0” = In
	ST16	Display Normal Mode On/Off	“1” = Normal Display, “0” = Partial Display
	ST15	Vertical Scrolling Status	“1” = Scroll on, “0” = Scroll off
	ST14	Not Used	“0”
	ST13	Inversion Status	“1” = On, “0” = Off
	ST12	All Pixels On	“1” = all pixel on, “0” = normal display
	ST11	All Pixels Off	“1” = all pixel off, “0” = normal display
	ST10	Display On/Off	“1” = On, “0” = Off
	ST9	Tearing effect line on/off	“1” = On, “0” = Off
	ST8	Not Used	“0”
	ST7	Not Used	“0”
	ST6	Not Used	“0”
	ST5	Tearing effect line mode	“0” = mode1, “1” = mode2
	ST4	Not Used	“0”
ST3	Not Used	“0”	
ST2	Not Used	“0”	

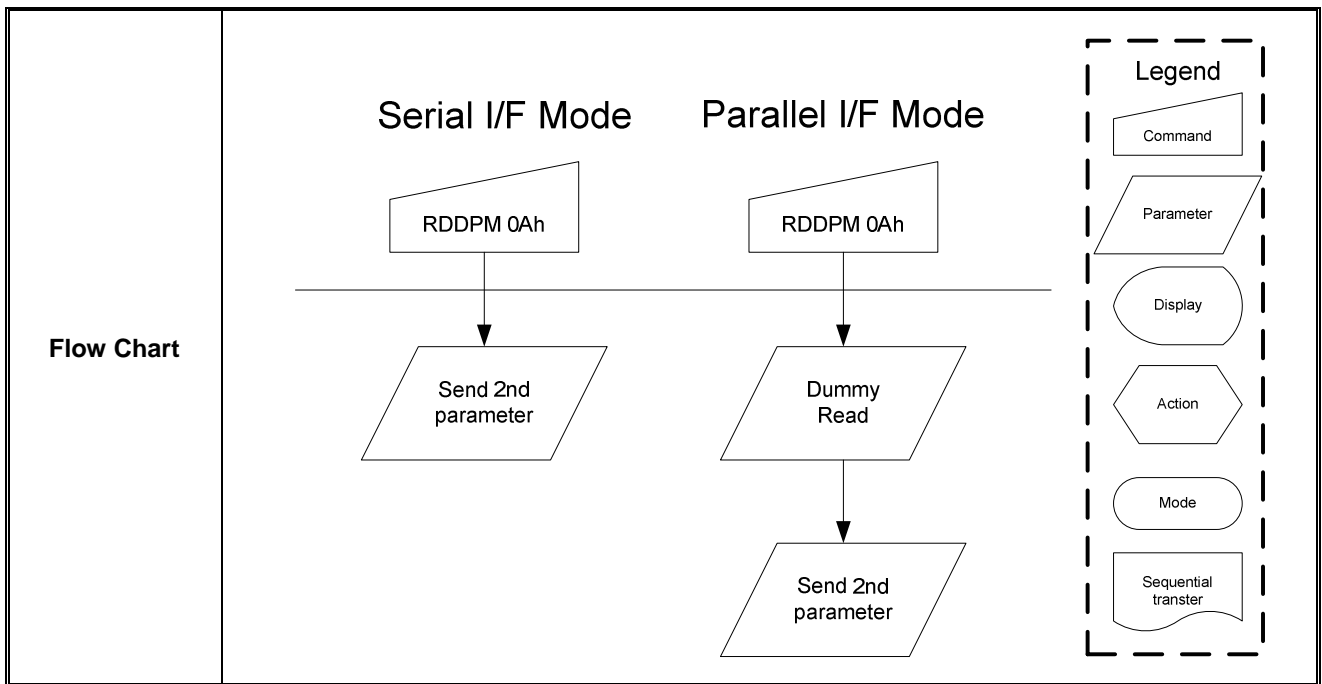
	ST1	Not Used	"0"												
	ST0	Not Used	"0"												
Restriction															
Register Availability	<table border="1"> <thead> <tr> <th>Status</th> <th>Availability</th> </tr> </thead> <tbody> <tr> <td>Normal Mode On, Idle Mode Off, Sleep Out</td> <td>Yes</td> </tr> <tr> <td>Normal Mode On, Idle Mode On, Sleep Out</td> <td>Yes</td> </tr> <tr> <td>Partial Mode On, Idle Mode Off, Sleep Out</td> <td>Yes</td> </tr> <tr> <td>Partial Mode On, Idle Mode On, Sleep Out</td> <td>Yes</td> </tr> <tr> <td>Sleep In</td> <td>Yes</td> </tr> </tbody> </table>			Status	Availability	Normal Mode On, Idle Mode Off, Sleep Out	Yes	Normal Mode On, Idle Mode On, Sleep Out	Yes	Partial Mode On, Idle Mode Off, Sleep Out	Yes	Partial Mode On, Idle Mode On, Sleep Out	Yes	Sleep In	Yes
Status	Availability														
Normal Mode On, Idle Mode Off, Sleep Out	Yes														
Normal Mode On, Idle Mode On, Sleep Out	Yes														
Partial Mode On, Idle Mode Off, Sleep Out	Yes														
Partial Mode On, Idle Mode On, Sleep Out	Yes														
Sleep In	Yes														
Default	<table border="1"> <thead> <tr> <th>Status</th> <th>Default Value (ST[31:0])</th> </tr> </thead> <tbody> <tr> <td>Power On Sequence</td> <td>0000 0000_0101 0001_0000 0000_0000 0000</td> </tr> <tr> <td>S/W Reset</td> <td>0xxx xx00_0xxx 0001_0000 0000_0000 0000</td> </tr> <tr> <td>H/W Reset</td> <td>0000 0000_0101 0001_0000 0000_0000 0000</td> </tr> </tbody> </table>			Status	Default Value (ST[31:0])	Power On Sequence	0000 0000_0101 0001_0000 0000_0000 0000	S/W Reset	0xxx xx00_0xxx 0001_0000 0000_0000 0000	H/W Reset	0000 0000_0101 0001_0000 0000_0000 0000				
Status	Default Value (ST[31:0])														
Power On Sequence	0000 0000_0101 0001_0000 0000_0000 0000														
S/W Reset	0xxx xx00_0xxx 0001_0000 0000_0000 0000														
H/W Reset	0000 0000_0101 0001_0000 0000_0000 0000														
Flow Chart	<div style="display: flex; justify-content: space-around;"> <div style="text-align: center;"> <p>Serial I/F Mode</p> </div> <div style="text-align: center;"> <p>Parallel I/F Mode</p> </div> <div style="border: 1px dashed black; padding: 5px;"> <p>Legend</p> <ul style="list-style-type: none"> Command Parameter Display Action Mode Sequential transfer </div> </div>														

8.1.4. RDDPM: Read Display Power Mode (0Ah)

NOTE: "-" Don't care

Command	A0	/RD	/WR	D7	D6	D5	D4	D3	D2	D1	D0	Hex
RDDPM	0	1	0	0	0	0	0	1	0	1	0	(0Ah)
Dummy Read	1	0	1	-	-	-	-	-	-	-	-	-
2 nd parameter	1	0	1	D7	D6	D5	D4	D3	D2	0	0	-

Description	This command indicates the current status of the display as described in the table below:	
	Bit	Description
	D7	Booster Voltage Status
	D6	Idle Mode On/Off
	D5	Partial Mode On/Off
	D4	Sleep In/Out
	D3	Display Normal Mode On/Off
	D2	Display On/Off
	D1	Not Used
D0	Not Used	
Restriction		
Register Availability	Status	Availability
	Normal Mode On, Idle Mode Off, Sleep Out	Yes
	Normal Mode On, Idle Mode On, Sleep Out	Yes
	Partial Mode On, Idle Mode Off, Sleep Out	Yes
	Partial Mode On, Idle Mode On, Sleep Out	Yes
	Sleep In	Yes
Default	Status	Default Value (D[7:0])
	Power On Sequence	00001000b (08h)
	S/W Reset	00001000b (08h)
	H/W Reset	00001000b (08h)

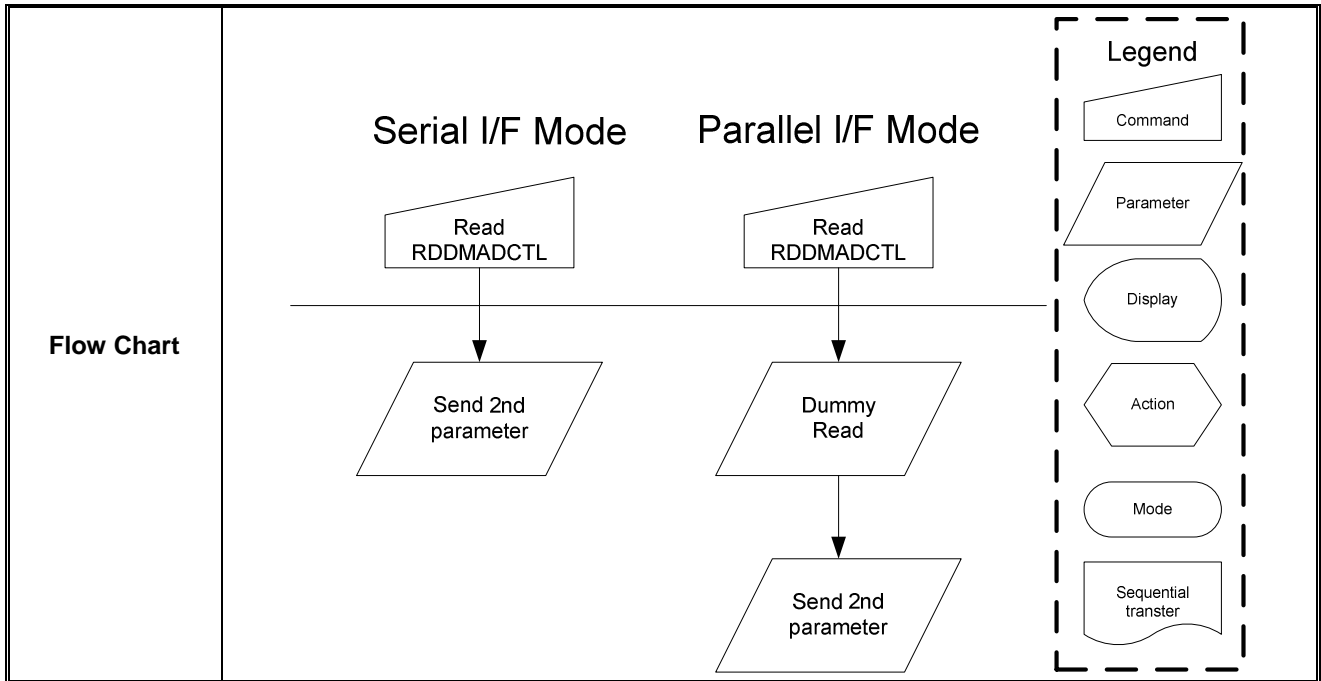


8.1.5. RDDMADCTR: Read Display MADCTR (0Bh)

NOTE: “-“ Don't care

Command	A0	/RD	/WR	D7	D6	D5	D4	D3	D2	D1	D0	Hex
RDDMADCTR	0	1	0	0	0	0	0	1	0	1	1	(0Bh)
Dummy Read	1	0	1	-	-	-	-	-	-	-	-	-
2 nd parameter	1	0	1	D7	D6	D5	D4	D3	0	0	0	-

Description	This command indicates the current status of the display as described in the table below:	
	Bit	Description
	D7	Row Address Order (MY)
	D6	Column Address Order (MX)
	D5	Row/Column Order (MV)
	D4	Scan Address Order (ML)
	D3	RGB/BGR Order (RGB)
	D2	Not Used
	D1	Not Used
D0	Not Used	
Restriction		
Register Availability	Status	Availability
	Normal Mode On, Idle Mode Off, Sleep Out	Yes
	Normal Mode On, Idle Mode On, Sleep Out	Yes
	Partial Mode On, Idle Mode Off, Sleep Out	Yes
	Partial Mode On, Idle Mode On, Sleep Out	Yes
	Sleep In	Yes
Default	Status	Default Value (D[7:0])
	Power On Sequence	00h
	S/W Reset	No change
	H/W Reset	00h

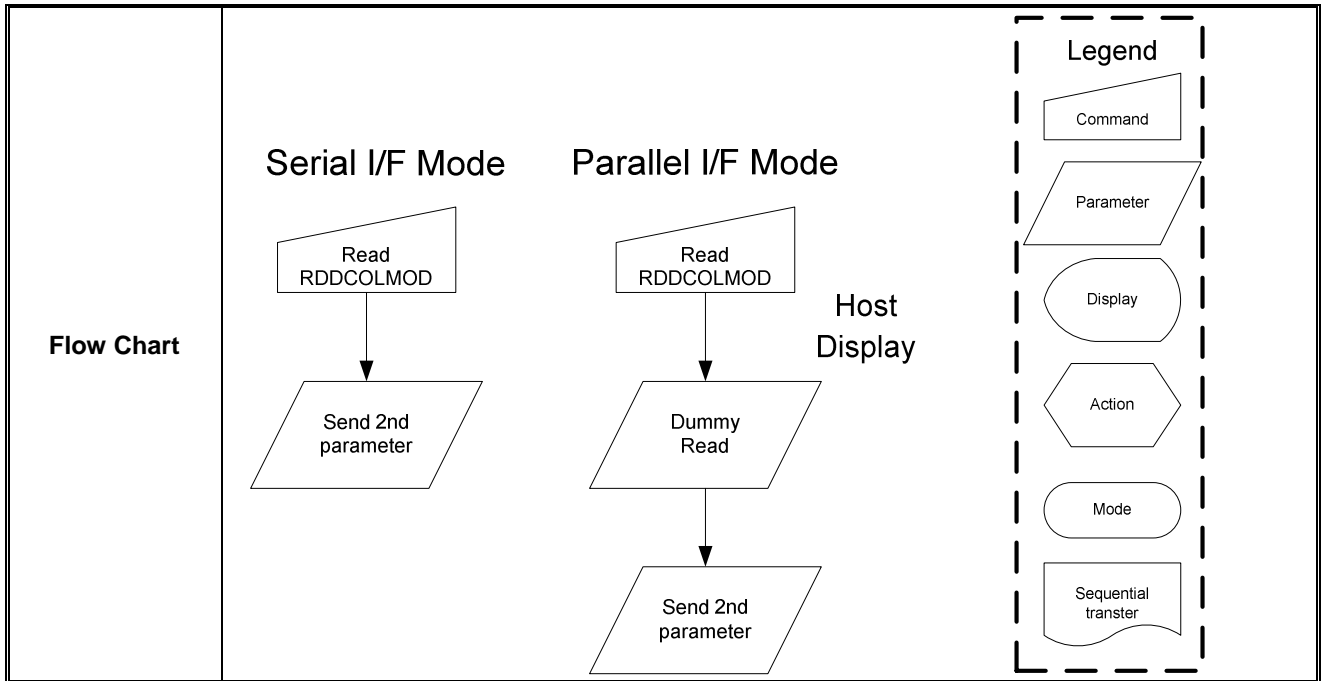


8.1.6. RDDCOLMOD: Read Display Pixel Format (0Ch)

NOTE: "-" Don't care

Command	A0	/RD	/WR	D7	D6	D5	D4	D3	D2	D1	D0	Hex
RDDCOLMOD	0	1	0	0	0	0	0	1	1	0	0	(0Ch)
Dummy Read	1	0	1	-	-	-	-	-	-	-	-	-
2 nd parameter	1	0	1	0	0	0	0	0	D2	D1	D0	-

Description	This command indicates the current status of the display as described in the table below:	
	Bit	Description
	D7	RGB Interface Color Format
	D6	
	D5	
	D4	
	D3	Control Interface Color Format
	D2	
	D1	
D0		
Value		
	"0" (Not Used)	
	"0" (Not Used)	
	"0" (Not Used)	
	"0" (Not Used)	
	"0"	
	"011"=12 bit/pixel (type A)	
	"100"=12 bit/pixel (type B)	
	"101"=16 bit/pixel	
Restriction		
Register Availability	Status	Availability
	Normal Mode On, Idle Mode Off, Sleep Out	Yes
	Normal Mode On, Idle Mode On, Sleep Out	Yes
	Partial Mode On, Idle Mode Off, Sleep Out	Yes
	Partial Mode On, Idle Mode On, Sleep Out	Yes
	Sleep In	Yes
Default	Status	Default Value (D[2:0])
	Power On Sequence	16 bit/pixel
	S/W Reset	No change
	H/W Reset	16 bit/pixel

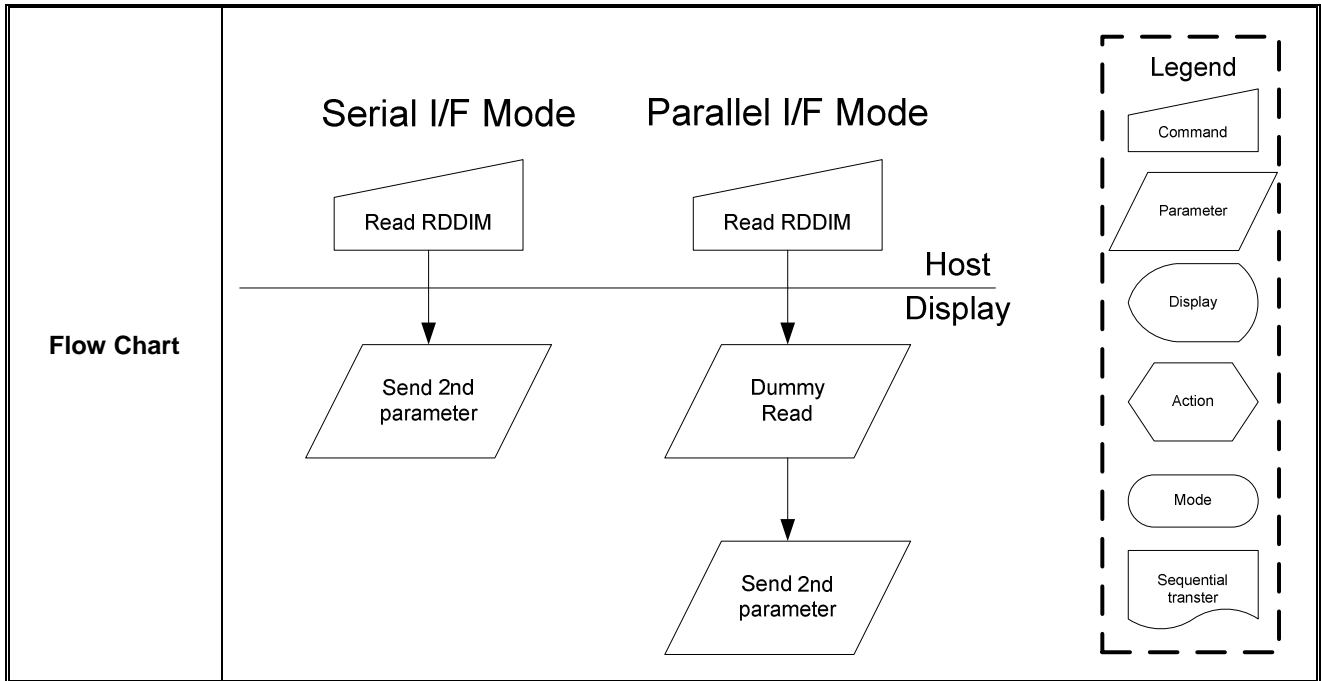


8.1.7. RDDIM: Read Display Image Mode (0Dh)

NOTE: “-“ Don't care

Command	A0	/RD	/WR	D7	D6	D5	D4	D3	D2	D1	D0	Hex
RDDIM	0	1	0	0	0	0	0	1	1	0	1	(0Dh)
Dummy Read	1	0	1	-	-	-	-	-	-	-	-	-
2 nd parameter	1	0	1	D7	0	D5	D4	D3	0	0	0	-

Description	This command indicates the current status of the display as described in the table below:	
	Bit	Description
	D7	Vertical Scrolling On/Off
	D6	Not Used
	D5	Inversion On/Off
	D4	All Pixels On
	D3	All Pixels Off
	D2	Not Used
	D1	
D0		
Value		
	“1” = Vertical scrolling is On, “0” = Vertical scrolling is Off,	
	“0”	
	“1” = Inversion is On, “0” = Inversion is Off	
	“1” = All Pixels On, “0” = Normal Mode	
	“1” = All Pixels Off, “0” = Normal Mode	
	“0”	
	“0”	
	“0”	
Restriction		
Register Availability	Status	Availability
	Normal Mode On, Idle Mode Off, Sleep Out	Yes
	Normal Mode On, Idle Mode On, Sleep Out	Yes
	Partial Mode On, Idle Mode Off, Sleep Out	Yes
	Partial Mode On, Idle Mode On, Sleep Out	Yes
	Sleep In	Yes
Default	Status	Default Value (D[7:0])
	Power On Sequence	00h
	S/W Reset	00h
	H/W Reset	00h

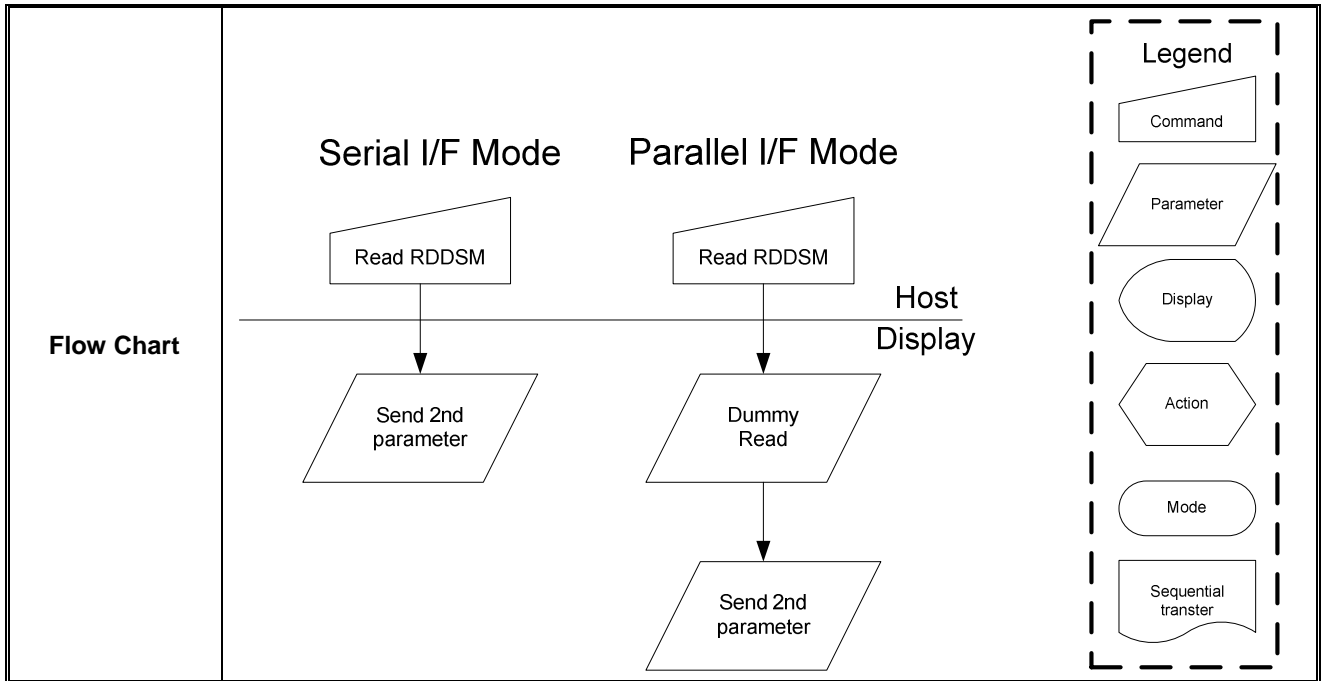


8.1.8. RDDSM: Read Display Signal Mode (0Eh)

NOTE: “-“ Don't care

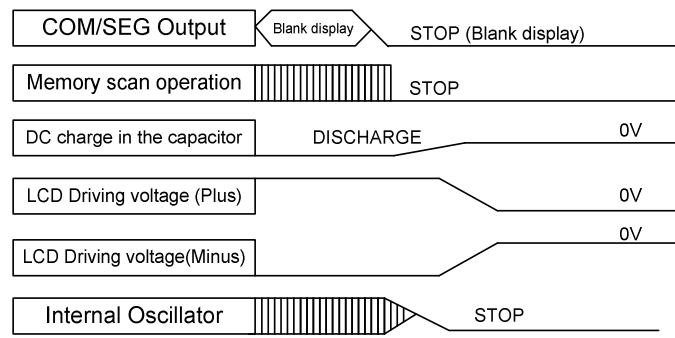
Command	A0	/RD	/WR	D7	D6	D5	D4	D3	D2	D1	D0	Hex
RDDSM	0	1	0	0	0	0	0	1	1	1	0	(0Eh)
Dummy Read	1	0	1	-	-	-	-	-	-	-	-	-
2 nd parameter	1	0	1	D7	D6	0	0	0	0	0	0	-

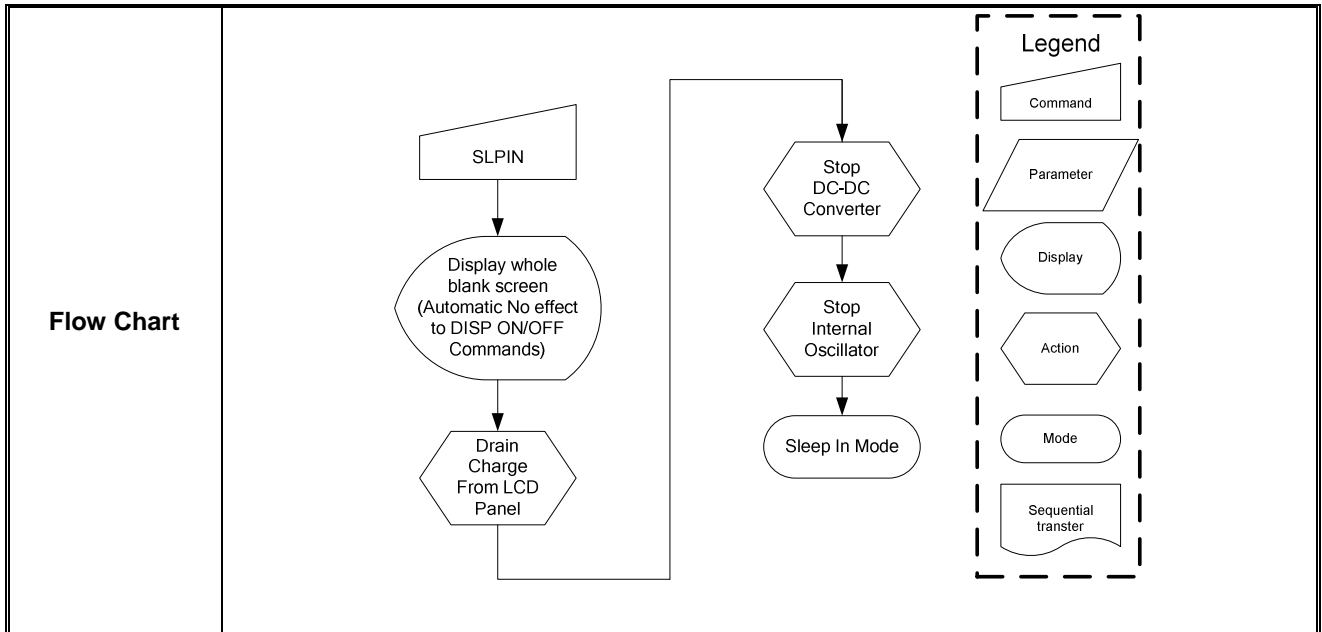
Description	This command indicates the current status of the display as described in the table below:	
	Bit	Description
	D7	Tearing Effect Line On/Off
	D6	Tearing effect line mode
	D5	Not Used
	D4	Not Used
	D3	Not Used
	D2	Not Used
	D1	Not Used
D0	Not Used	
Restriction		
Register Availability	Status	Availability
	Normal Mode On, Idle Mode Off, Sleep Out	Yes
	Normal Mode On, Idle Mode On, Sleep Out	Yes
	Partial Mode On, Idle Mode Off, Sleep Out	Yes
	Partial Mode On, Idle Mode On, Sleep Out	Yes
	Sleep In	Yes
Default	Status	Default Value (D[7:0])
	Power On Sequence	00h
	S/W Reset	00h
	H/W Reset	00h



8.1.9. SLPIN: Sleep In (10h)

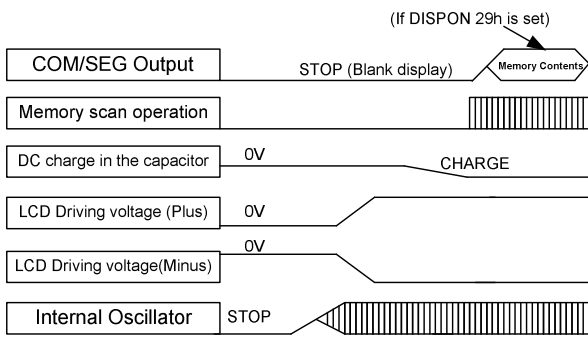
Command	A0	/RD	/WR	D7	D6	D5	D4	D3	D2	D1	D0	Hex
SLPIN	0	1	0	0	0	0	1	0	0	0	0	(10h)
Parameter	No Parameter											

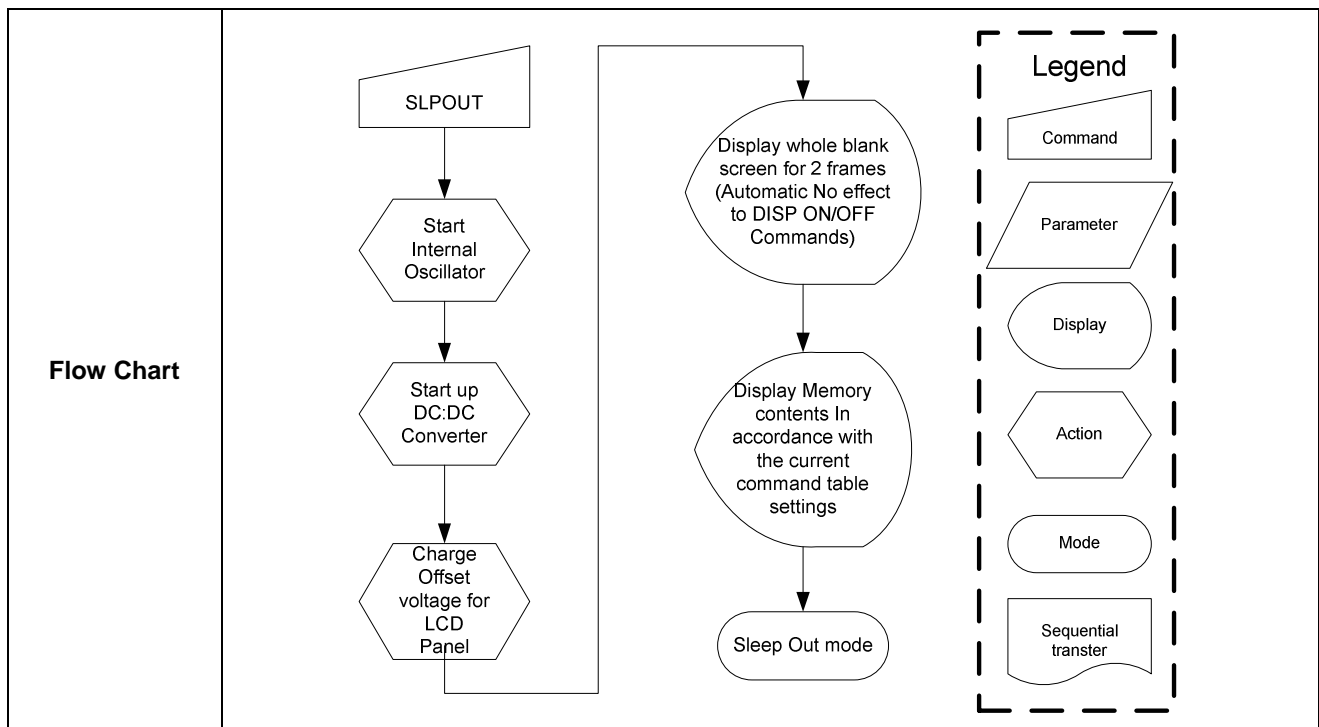
<p>Description</p>	<p>This command causes the LCD module to enter the minimum power consumption mode. In this mode the DC/DC converter is stopped, Internal display oscillator is stopped, and panel scanning is stopped.</p>  <p>MCU interface and memory are still working and the memory keeps its contents</p>												
<p>Restriction</p>	<p>This command has no effect when module is already in sleep in mode. Sleep In Mode can only be exit by the Sleep Out Command (11h). It will be necessary to wait 5msec before sending next command. This is to allow time for the supply voltages and clock circuits to stabilize.</p>												
<p>Register Availability</p>	<table border="1"> <thead> <tr> <th>Status</th> <th>Availability</th> </tr> </thead> <tbody> <tr> <td>Normal Mode On, Idle Mode Off, Sleep Out</td> <td>Yes</td> </tr> <tr> <td>Normal Mode On, Idle Mode On, Sleep Out</td> <td>Yes</td> </tr> <tr> <td>Partial Mode On, Idle Mode Off, Sleep Out</td> <td>Yes</td> </tr> <tr> <td>Partial Mode On, Idle Mode On, Sleep Out</td> <td>Yes</td> </tr> <tr> <td>Sleep In</td> <td>Yes</td> </tr> </tbody> </table>	Status	Availability	Normal Mode On, Idle Mode Off, Sleep Out	Yes	Normal Mode On, Idle Mode On, Sleep Out	Yes	Partial Mode On, Idle Mode Off, Sleep Out	Yes	Partial Mode On, Idle Mode On, Sleep Out	Yes	Sleep In	Yes
Status	Availability												
Normal Mode On, Idle Mode Off, Sleep Out	Yes												
Normal Mode On, Idle Mode On, Sleep Out	Yes												
Partial Mode On, Idle Mode Off, Sleep Out	Yes												
Partial Mode On, Idle Mode On, Sleep Out	Yes												
Sleep In	Yes												
<p>Default</p>	<table border="1"> <thead> <tr> <th>Status</th> <th>Default Value</th> </tr> </thead> <tbody> <tr> <td>Power On Sequence</td> <td>Sleep in mode</td> </tr> <tr> <td>S/W Reset</td> <td>Sleep in mode</td> </tr> <tr> <td>H/W Reset</td> <td>Sleep in mode</td> </tr> </tbody> </table>	Status	Default Value	Power On Sequence	Sleep in mode	S/W Reset	Sleep in mode	H/W Reset	Sleep in mode				
Status	Default Value												
Power On Sequence	Sleep in mode												
S/W Reset	Sleep in mode												
H/W Reset	Sleep in mode												



8.1.10. SLPOUT: Sleep Out (11h)

Command	A0	/RD	/WR	D7	D6	D5	D4	D3	D2	D1	D0	Hex
SLPOUT	0	1	0	0	0	0	1	0	0	0	1	(11h)
Parameter	No Parameter											

<p>Description</p>	<p>This command turns off sleep mode. In this mode the DC/DC converter is enabled, Internal display oscillator is started, and panel scanning is started.</p> 												
<p>Restriction</p>	<p>This command has no effect when module is already in sleep out mode. Sleep Out Mode can only be exit by the Sleep In Command (10h). It will be necessary to wait 5msec before sending next command. This is to allow time for the supply voltages and clock circuits to stabilize. The display module loads all display supplier's factory default values to the registers during this 5msec and there cannot be any abnormal visual effect on the display image if factory default and register values are same when this load is done and when the display module is already Sleep Out –mode.</p>												
<p>Register Availability</p>	<table border="1"> <thead> <tr> <th>Status</th> <th>Availability</th> </tr> </thead> <tbody> <tr> <td>Normal Mode On, Idle Mode Off, Sleep Out</td> <td>Yes</td> </tr> <tr> <td>Normal Mode On, Idle Mode On, Sleep Out</td> <td>Yes</td> </tr> <tr> <td>Partial Mode On, Idle Mode Off, Sleep Out</td> <td>Yes</td> </tr> <tr> <td>Partial Mode On, Idle Mode On, Sleep Out</td> <td>Yes</td> </tr> <tr> <td>Sleep In</td> <td>Yes</td> </tr> </tbody> </table>	Status	Availability	Normal Mode On, Idle Mode Off, Sleep Out	Yes	Normal Mode On, Idle Mode On, Sleep Out	Yes	Partial Mode On, Idle Mode Off, Sleep Out	Yes	Partial Mode On, Idle Mode On, Sleep Out	Yes	Sleep In	Yes
Status	Availability												
Normal Mode On, Idle Mode Off, Sleep Out	Yes												
Normal Mode On, Idle Mode On, Sleep Out	Yes												
Partial Mode On, Idle Mode Off, Sleep Out	Yes												
Partial Mode On, Idle Mode On, Sleep Out	Yes												
Sleep In	Yes												
<p>Default</p>	<table border="1"> <thead> <tr> <th>Status</th> <th>Default Value</th> </tr> </thead> <tbody> <tr> <td>Power On Sequence</td> <td>Sleep in mode</td> </tr> <tr> <td>S/W Reset</td> <td>Sleep in mode</td> </tr> <tr> <td>H/W Reset</td> <td>Sleep in mode</td> </tr> </tbody> </table>	Status	Default Value	Power On Sequence	Sleep in mode	S/W Reset	Sleep in mode	H/W Reset	Sleep in mode				
Status	Default Value												
Power On Sequence	Sleep in mode												
S/W Reset	Sleep in mode												
H/W Reset	Sleep in mode												



8.1.11. PTLON: Partial Display Mode On (12h)

Command	A0	/RD	/WR	D7	D6	D5	D4	D3	D2	D1	D0	Hex
PTLON	0	1	0	0	0	0	1	0	0	1	0	(12h)
Parameter	No Parameter											

Description	<p>This command turns on Partial mode. The partial mode window is described by the Partial Area command (30H)</p> <p>Exit from PTLON by Normal Display Mode On command (13H)</p> <p>There is no abnormal visual effect during mode change between Normal mode On <-> Partial mode On.</p>												
Restriction	This command has no effect when Partial mode is active.												
Register Availability	<table border="1"> <thead> <tr> <th>Status</th> <th>Availability</th> </tr> </thead> <tbody> <tr> <td>Normal Mode On, Idle Mode Off, Sleep Out</td> <td>Yes</td> </tr> <tr> <td>Normal Mode On, Idle Mode On, Sleep Out</td> <td>Yes</td> </tr> <tr> <td>Partial Mode On, Idle Mode Off, Sleep Out</td> <td>Yes</td> </tr> <tr> <td>Partial Mode On, Idle Mode On, Sleep Out</td> <td>Yes</td> </tr> <tr> <td>Sleep In</td> <td>Yes</td> </tr> </tbody> </table>	Status	Availability	Normal Mode On, Idle Mode Off, Sleep Out	Yes	Normal Mode On, Idle Mode On, Sleep Out	Yes	Partial Mode On, Idle Mode Off, Sleep Out	Yes	Partial Mode On, Idle Mode On, Sleep Out	Yes	Sleep In	Yes
Status	Availability												
Normal Mode On, Idle Mode Off, Sleep Out	Yes												
Normal Mode On, Idle Mode On, Sleep Out	Yes												
Partial Mode On, Idle Mode Off, Sleep Out	Yes												
Partial Mode On, Idle Mode On, Sleep Out	Yes												
Sleep In	Yes												
Default	<table border="1"> <thead> <tr> <th>Status</th> <th>Default Value</th> </tr> </thead> <tbody> <tr> <td>Power On Sequence</td> <td>Partial mode off</td> </tr> <tr> <td>S/W Reset</td> <td>Partial mode off</td> </tr> <tr> <td>H/W Reset</td> <td>Partial mode off</td> </tr> </tbody> </table>	Status	Default Value	Power On Sequence	Partial mode off	S/W Reset	Partial mode off	H/W Reset	Partial mode off				
Status	Default Value												
Power On Sequence	Partial mode off												
S/W Reset	Partial mode off												
H/W Reset	Partial mode off												
Flow Chart	See Partial Area (30h)												

8.1.12. NORON: Normal Display Mode On (13h)

Command	A0	/RD	/WR	D7	D6	D5	D4	D3	D2	D1	D0	Hex
NORON	0	1	0	0	0	0	1	0	0	1	1	(13h)
Parameter	No Parameter											

Description	<p>This command returns the display to normal mode.</p> <p>Normal display mode on means Partial mode off, Scroll mode Off.</p> <p>Exit from NORON by the Partial mode On command (12h)</p> <p>There is no abnormal visual effect during mode change between Normal mode On <-> Partial mode On.</p>												
Restriction	This command has no effect when Normal Display mode is active.												
Register Availability	<table border="1"> <thead> <tr> <th>Status</th> <th>Availability</th> </tr> </thead> <tbody> <tr> <td>Normal Mode On, Idle Mode Off, Sleep Out</td> <td>Yes</td> </tr> <tr> <td>Normal Mode On, Idle Mode On, Sleep Out</td> <td>Yes</td> </tr> <tr> <td>Partial Mode On, Idle Mode Off, Sleep Out</td> <td>Yes</td> </tr> <tr> <td>Partial Mode On, Idle Mode On, Sleep Out</td> <td>Yes</td> </tr> <tr> <td>Sleep In</td> <td>Yes</td> </tr> </tbody> </table>	Status	Availability	Normal Mode On, Idle Mode Off, Sleep Out	Yes	Normal Mode On, Idle Mode On, Sleep Out	Yes	Partial Mode On, Idle Mode Off, Sleep Out	Yes	Partial Mode On, Idle Mode On, Sleep Out	Yes	Sleep In	Yes
Status	Availability												
Normal Mode On, Idle Mode Off, Sleep Out	Yes												
Normal Mode On, Idle Mode On, Sleep Out	Yes												
Partial Mode On, Idle Mode Off, Sleep Out	Yes												
Partial Mode On, Idle Mode On, Sleep Out	Yes												
Sleep In	Yes												
Default	<table border="1"> <thead> <tr> <th>Status</th> <th>Default Value</th> </tr> </thead> <tbody> <tr> <td>Power On Sequence</td> <td>Normal Mode On</td> </tr> <tr> <td>S/W Reset</td> <td>Normal Mode On</td> </tr> <tr> <td>H/W Reset</td> <td>Normal Mode On</td> </tr> </tbody> </table>	Status	Default Value	Power On Sequence	Normal Mode On	S/W Reset	Normal Mode On	H/W Reset	Normal Mode On				
Status	Default Value												
Power On Sequence	Normal Mode On												
S/W Reset	Normal Mode On												
H/W Reset	Normal Mode On												
Flow Chart	See Partial Area and Vertical Scrolling Definition Descriptions for details of when to use this command												

8.1.13. INVOFF: Display Inversion Off (20h)

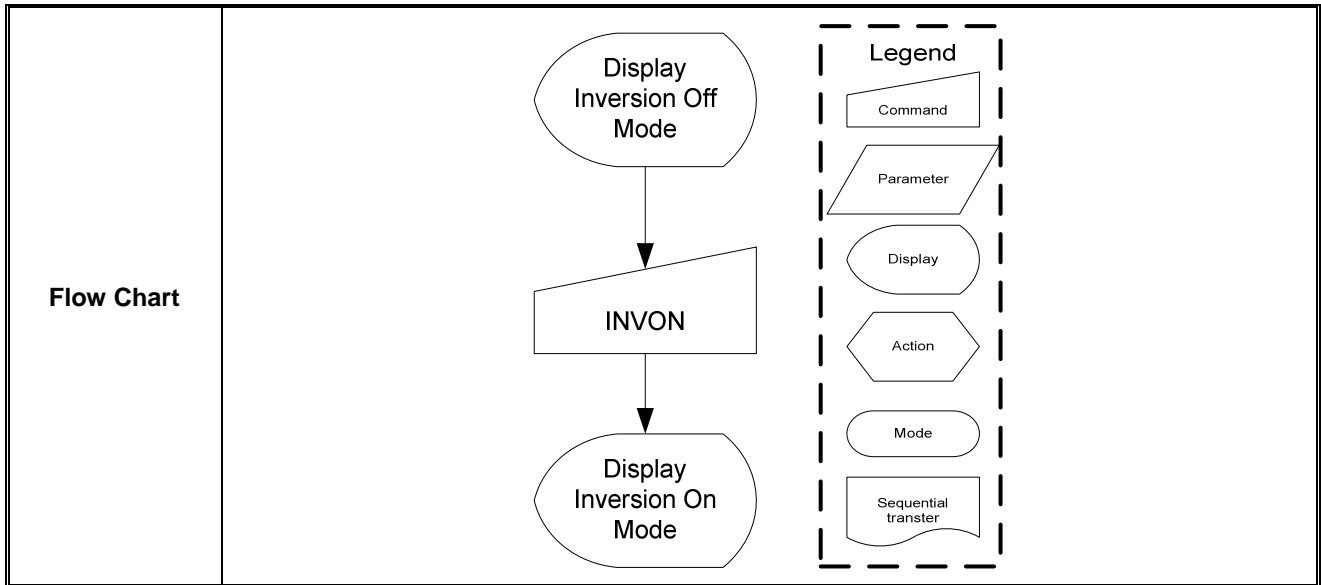
Command	A0	/RD	/WR	D7	D6	D5	D4	D3	D2	D1	D0	Hex
INVOFF	0	1	0	0	0	1	0	0	0	0	0	(20h)
Parameter	No Parameter											

Description	<p>This command is used to recover from display inversion mode.</p> <p>This command makes no change of contents of frame memory.</p> <p>This command does not change any other status.</p> <div style="text-align: center;"> <p>(Example)</p> </div>												
Restriction	This command has no effect when module is already inversion off mode.												
Register Availability	<table border="1"> <thead> <tr> <th>Status</th> <th>Availability</th> </tr> </thead> <tbody> <tr> <td>Normal Mode On, Idle Mode Off, Sleep Out</td> <td>Yes</td> </tr> <tr> <td>Normal Mode On, Idle Mode On, Sleep Out</td> <td>Yes</td> </tr> <tr> <td>Partial Mode On, Idle Mode Off, Sleep Out</td> <td>Yes</td> </tr> <tr> <td>Partial Mode On, Idle Mode On, Sleep Out</td> <td>Yes</td> </tr> <tr> <td>Sleep In</td> <td>Yes</td> </tr> </tbody> </table>	Status	Availability	Normal Mode On, Idle Mode Off, Sleep Out	Yes	Normal Mode On, Idle Mode On, Sleep Out	Yes	Partial Mode On, Idle Mode Off, Sleep Out	Yes	Partial Mode On, Idle Mode On, Sleep Out	Yes	Sleep In	Yes
Status	Availability												
Normal Mode On, Idle Mode Off, Sleep Out	Yes												
Normal Mode On, Idle Mode On, Sleep Out	Yes												
Partial Mode On, Idle Mode Off, Sleep Out	Yes												
Partial Mode On, Idle Mode On, Sleep Out	Yes												
Sleep In	Yes												
Default	<table border="1"> <thead> <tr> <th>Status</th> <th>Default Value</th> </tr> </thead> <tbody> <tr> <td>Power On Sequence</td> <td>Display Inversion off</td> </tr> <tr> <td>S/W Reset</td> <td>Display Inversion off</td> </tr> <tr> <td>H/W Reset</td> <td>Display Inversion off</td> </tr> </tbody> </table>	Status	Default Value	Power On Sequence	Display Inversion off	S/W Reset	Display Inversion off	H/W Reset	Display Inversion off				
Status	Default Value												
Power On Sequence	Display Inversion off												
S/W Reset	Display Inversion off												
H/W Reset	Display Inversion off												
Flow Chart	<pre> graph TD A([Display Inversion On Mode]) --> B[/INVOFF/] B --> C([Display Inversion Off Mode]) </pre>												

8.1.14. INVON: Display Inversion On (21h)

Command	A0	/RD	/WR	D7	D6	D5	D4	D3	D2	D1	D0	Hex
INVON	0	1	0	0	0	1	0	0	0	0	1	(21h)
Parameter	No Parameter											

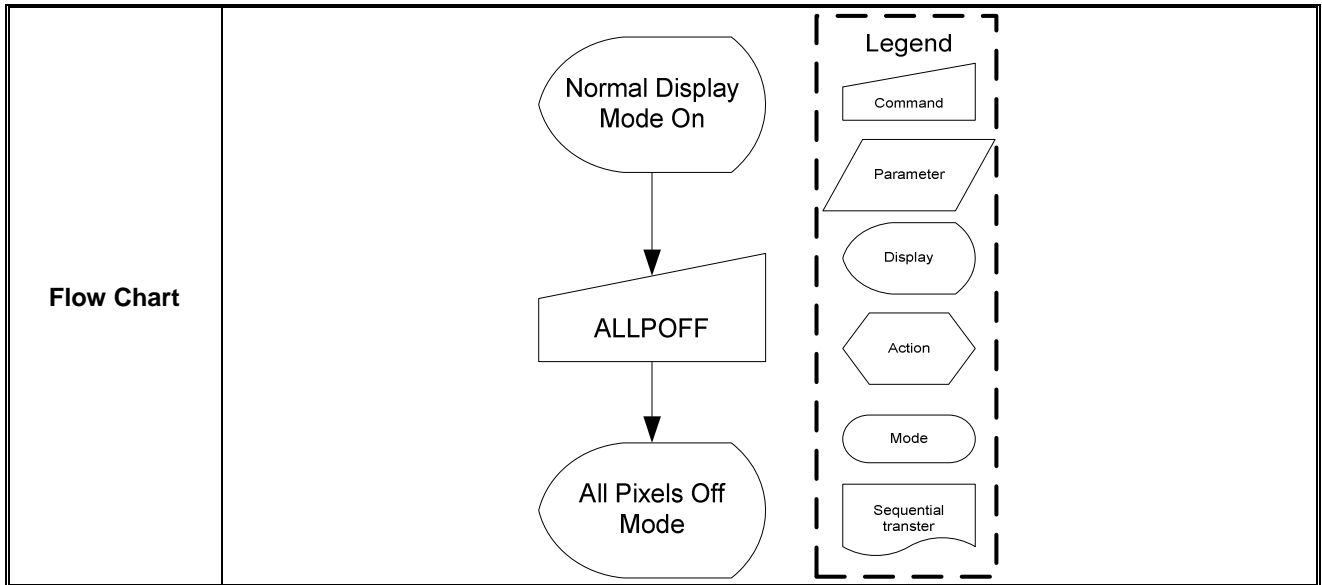
Description	<p>This command is used to enter into display inversion mode</p> <p>This command makes no change of contents of frame memory.</p> <p>This command does not change any other status.</p> <p>To exit from Display Inversion On, the Display Inversion Off command (20h) should be written.</p> <div style="text-align: center;"> <p>(Example)</p> </div>												
Restriction	This command has no effect when module is already Inversion On mode.												
Register Availability	<table border="1"> <thead> <tr> <th>Status</th> <th>Availability</th> </tr> </thead> <tbody> <tr> <td>Normal Mode On, Idle Mode Off, Sleep Out</td> <td>Yes</td> </tr> <tr> <td>Normal Mode On, Idle Mode On, Sleep Out</td> <td>Yes</td> </tr> <tr> <td>Partial Mode On, Idle Mode Off, Sleep Out</td> <td>Yes</td> </tr> <tr> <td>Partial Mode On, Idle Mode On, Sleep Out</td> <td>Yes</td> </tr> <tr> <td>Sleep In</td> <td>Yes</td> </tr> </tbody> </table>	Status	Availability	Normal Mode On, Idle Mode Off, Sleep Out	Yes	Normal Mode On, Idle Mode On, Sleep Out	Yes	Partial Mode On, Idle Mode Off, Sleep Out	Yes	Partial Mode On, Idle Mode On, Sleep Out	Yes	Sleep In	Yes
Status	Availability												
Normal Mode On, Idle Mode Off, Sleep Out	Yes												
Normal Mode On, Idle Mode On, Sleep Out	Yes												
Partial Mode On, Idle Mode Off, Sleep Out	Yes												
Partial Mode On, Idle Mode On, Sleep Out	Yes												
Sleep In	Yes												
Default	<table border="1"> <thead> <tr> <th>Status</th> <th>Default Value</th> </tr> </thead> <tbody> <tr> <td>Power On Sequence</td> <td>Display Inversion off</td> </tr> <tr> <td>S/W Reset</td> <td>Display Inversion off</td> </tr> <tr> <td>H/W Reset</td> <td>Display Inversion off</td> </tr> </tbody> </table>	Status	Default Value	Power On Sequence	Display Inversion off	S/W Reset	Display Inversion off	H/W Reset	Display Inversion off				
Status	Default Value												
Power On Sequence	Display Inversion off												
S/W Reset	Display Inversion off												
H/W Reset	Display Inversion off												



8.1.15. APOFF: All Pixels Off (22h) (Only for Test Purposes)

Command	A0	/RD	/WR	D7	D6	D5	D4	D3	D2	D1	D0	Hex
APOFF	0	1	0	0	0	1	0	0	0	1	0	(22h)
Parameter	No Parameter											

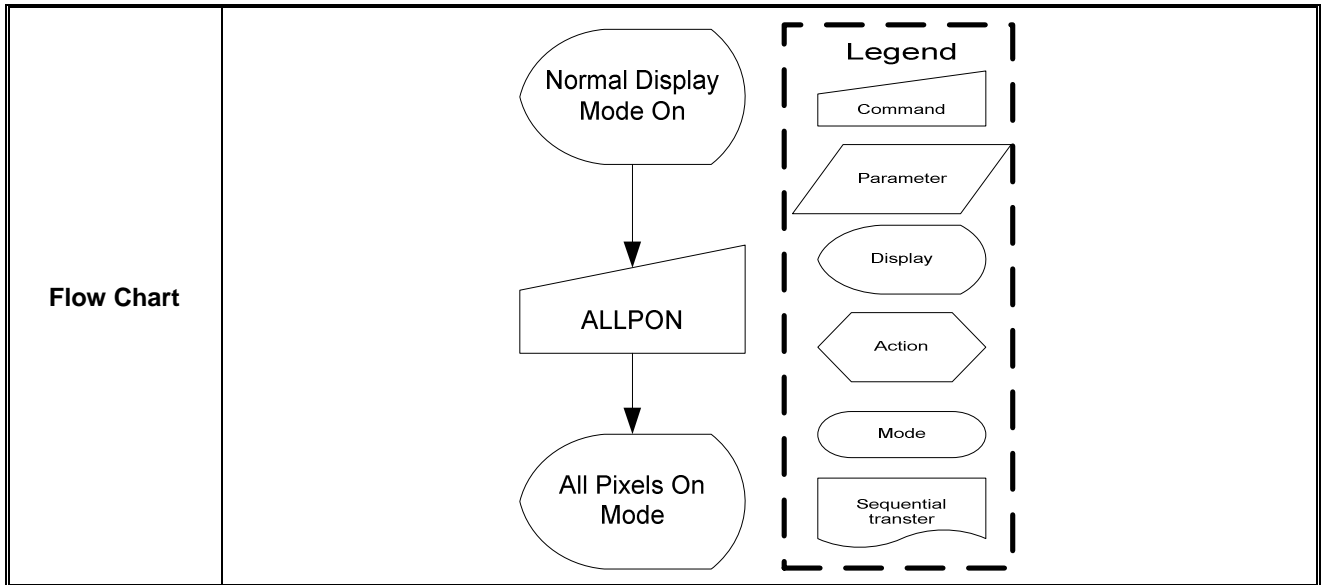
Description	<p>This command is only used for test purpose e.g. pixel response time (on/off) measurements on the passive matrix display. Therefore, it is possible that this command is not used for final product software.</p> <p>All driver outputs become “Low” data state and display becomes black.</p> <p>This command makes no change of contents of display memory.</p> <p>This command does not change any other status.</p> <p>Exit commands are “All Pixels On”, “Normal Display Mode On” and “Partial Display On”.</p> <p>The display is showing the contents of the frame memory after “Normal Display Mode On” and “Partial Display On” commands.</p> <div style="text-align: center;"> <p>(Example)</p> </div>												
Restriction	This command has no effect when module is already All Pixel Off mode.												
Register Availability	<table border="1" style="width: 100%;"> <thead> <tr> <th>Status</th> <th>Availability</th> </tr> </thead> <tbody> <tr> <td>Normal Mode On, Idle Mode Off, Sleep Out</td> <td>Yes</td> </tr> <tr> <td>Normal Mode On, Idle Mode On, Sleep Out</td> <td>Yes</td> </tr> <tr> <td>Partial Mode On, Idle Mode Off, Sleep Out</td> <td>Yes</td> </tr> <tr> <td>Partial Mode On, Idle Mode On, Sleep Out</td> <td>Yes</td> </tr> <tr> <td>Sleep In</td> <td>Yes</td> </tr> </tbody> </table>	Status	Availability	Normal Mode On, Idle Mode Off, Sleep Out	Yes	Normal Mode On, Idle Mode On, Sleep Out	Yes	Partial Mode On, Idle Mode Off, Sleep Out	Yes	Partial Mode On, Idle Mode On, Sleep Out	Yes	Sleep In	Yes
Status	Availability												
Normal Mode On, Idle Mode Off, Sleep Out	Yes												
Normal Mode On, Idle Mode On, Sleep Out	Yes												
Partial Mode On, Idle Mode Off, Sleep Out	Yes												
Partial Mode On, Idle Mode On, Sleep Out	Yes												
Sleep In	Yes												
Default	<table border="1" style="width: 100%;"> <thead> <tr> <th>Status</th> <th>Default Value</th> </tr> </thead> <tbody> <tr> <td>Power On Sequence</td> <td>All pixel off mode disable</td> </tr> <tr> <td>S/W Reset</td> <td>All pixel off mode disable</td> </tr> <tr> <td>H/W Reset</td> <td>All pixel off mode disable</td> </tr> </tbody> </table>	Status	Default Value	Power On Sequence	All pixel off mode disable	S/W Reset	All pixel off mode disable	H/W Reset	All pixel off mode disable				
Status	Default Value												
Power On Sequence	All pixel off mode disable												
S/W Reset	All pixel off mode disable												
H/W Reset	All pixel off mode disable												



8.1.16. APON: All Pixels On (23h) (Only for Test Purposes)

Command	A0	/RD	/WR	D7	D6	D5	D4	D3	D2	D1	D0	Hex
APON	0	1	0	0	0	1	0	0	0	1	1	(23h)
Parameter	No Parameter											

Description	<p>This command is only used for test purpose e.g. pixel response time (on/off) measurements on the passive matrix display. Therefore, it is possible that this command is not used for final product software.</p> <p>All driver outputs become “High” data state and display becomes white.</p> <p>This command makes no change of contents of display memory.</p> <p>This command does not change any other status.</p> <p>Exit commands are “All Pixels On”, “Normal Display Mode On” and “Partial Display On”.</p> <p>The display is showing the contents of the frame memory after “Normal Display Mode On” and “Partial Display On” commands.</p> <div style="text-align: center;"> </div>												
Restriction	This command has no effect when module is already All Pixel On mode.												
Register Availability	<table border="1"> <thead> <tr> <th>Status</th> <th>Availability</th> </tr> </thead> <tbody> <tr> <td>Normal Mode On, Idle Mode Off, Sleep Out</td> <td>Yes</td> </tr> <tr> <td>Normal Mode On, Idle Mode On, Sleep Out</td> <td>Yes</td> </tr> <tr> <td>Partial Mode On, Idle Mode Off, Sleep Out</td> <td>Yes</td> </tr> <tr> <td>Partial Mode On, Idle Mode On, Sleep Out</td> <td>Yes</td> </tr> <tr> <td>Sleep In</td> <td>Yes</td> </tr> </tbody> </table>	Status	Availability	Normal Mode On, Idle Mode Off, Sleep Out	Yes	Normal Mode On, Idle Mode On, Sleep Out	Yes	Partial Mode On, Idle Mode Off, Sleep Out	Yes	Partial Mode On, Idle Mode On, Sleep Out	Yes	Sleep In	Yes
Status	Availability												
Normal Mode On, Idle Mode Off, Sleep Out	Yes												
Normal Mode On, Idle Mode On, Sleep Out	Yes												
Partial Mode On, Idle Mode Off, Sleep Out	Yes												
Partial Mode On, Idle Mode On, Sleep Out	Yes												
Sleep In	Yes												
Default	<table border="1"> <thead> <tr> <th>Status</th> <th>Default Value</th> </tr> </thead> <tbody> <tr> <td>Power On Sequence</td> <td>All pixel on mode disable</td> </tr> <tr> <td>S/W Reset</td> <td>All pixel on mode disable</td> </tr> <tr> <td>H/W Reset</td> <td>All pixel on mode disable</td> </tr> </tbody> </table>	Status	Default Value	Power On Sequence	All pixel on mode disable	S/W Reset	All pixel on mode disable	H/W Reset	All pixel on mode disable				
Status	Default Value												
Power On Sequence	All pixel on mode disable												
S/W Reset	All pixel on mode disable												
H/W Reset	All pixel on mode disable												



8.1.17. WRCNTR: Write Contrast (25h)

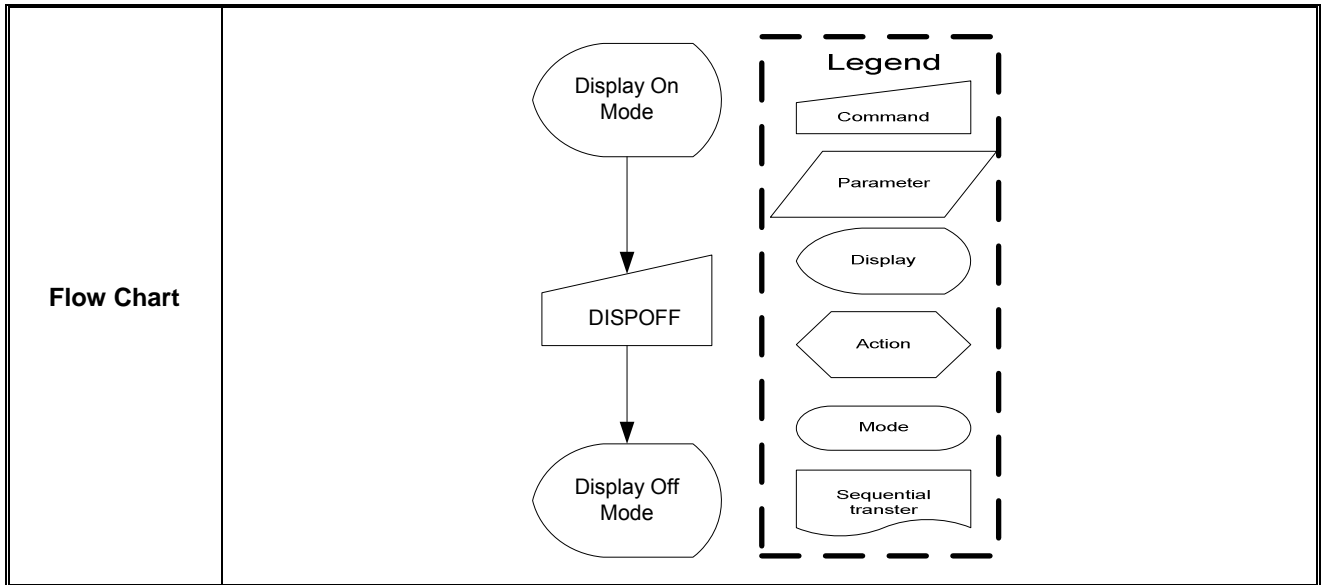
Command	A0	/RD	/WR	D7	D6	D5	D4	D3	D2	D1	D0	Hex
WRCNTR	0	1	0	0	0	1	0	0	1	0	1	(25h)
Parameter	1	1	0	0	EV6	EV5	EV4	EV3	EV2	EV1	EV0	

Description	This command is used to fine tuning the contrast of the display. Parameter range is 00~7Fh. The contrast is not linear but the contrast adjustment is linear. Luminance is increasing from 00h to 7Fh. 00h is presenting dark end and 7Fh is presenting bright end.													
Restriction	-													
Register Availability	<table border="1"> <thead> <tr> <th>Status</th> <th>Availability</th> </tr> </thead> <tbody> <tr> <td>Normal Mode On, Idle Mode Off, Sleep Out</td> <td>Yes</td> </tr> <tr> <td>Normal Mode On, Idle Mode On, Sleep Out</td> <td>Yes</td> </tr> <tr> <td>Partial Mode On, Idle Mode Off, Sleep Out</td> <td>Yes</td> </tr> <tr> <td>Partial Mode On, Idle Mode On, Sleep Out</td> <td>Yes</td> </tr> <tr> <td>Sleep In</td> <td>Yes</td> </tr> </tbody> </table>		Status	Availability	Normal Mode On, Idle Mode Off, Sleep Out	Yes	Normal Mode On, Idle Mode On, Sleep Out	Yes	Partial Mode On, Idle Mode Off, Sleep Out	Yes	Partial Mode On, Idle Mode On, Sleep Out	Yes	Sleep In	Yes
Status	Availability													
Normal Mode On, Idle Mode Off, Sleep Out	Yes													
Normal Mode On, Idle Mode On, Sleep Out	Yes													
Partial Mode On, Idle Mode Off, Sleep Out	Yes													
Partial Mode On, Idle Mode On, Sleep Out	Yes													
Sleep In	Yes													
Default	<table border="1"> <thead> <tr> <th>Status</th> <th>Default Value</th> </tr> </thead> <tbody> <tr> <td>Power On Sequence</td> <td>3Fh</td> </tr> <tr> <td>S/W Reset</td> <td>3Fh</td> </tr> <tr> <td>H/W Reset</td> <td>3Fh</td> </tr> </tbody> </table>		Status	Default Value	Power On Sequence	3Fh	S/W Reset	3Fh	H/W Reset	3Fh				
Status	Default Value													
Power On Sequence	3Fh													
S/W Reset	3Fh													
H/W Reset	3Fh													
Flow Chart	<pre> graph TD WRCNTR[/WRCNTR/] --> EV[EV[7:0]] EV --> NewContrast{{New Contrast Value Loaded}} </pre> <p>Legend</p> <ul style="list-style-type: none"> Command: Trapezoid Parameter: Parallelogram Display: Oval Action: Hexagon Mode: Rounded rectangle Sequential transfer: Dashed line 													

8.1.18. DISPOFF: Display Off (28h)

Command	A0	/RD	/WR	D7	D6	D5	D4	D3	D2	D1	D0	Hex
DISPOFF	0	1	0	0	0	1	0	1	0	0	0	(28h)
Parameter	No Parameter											

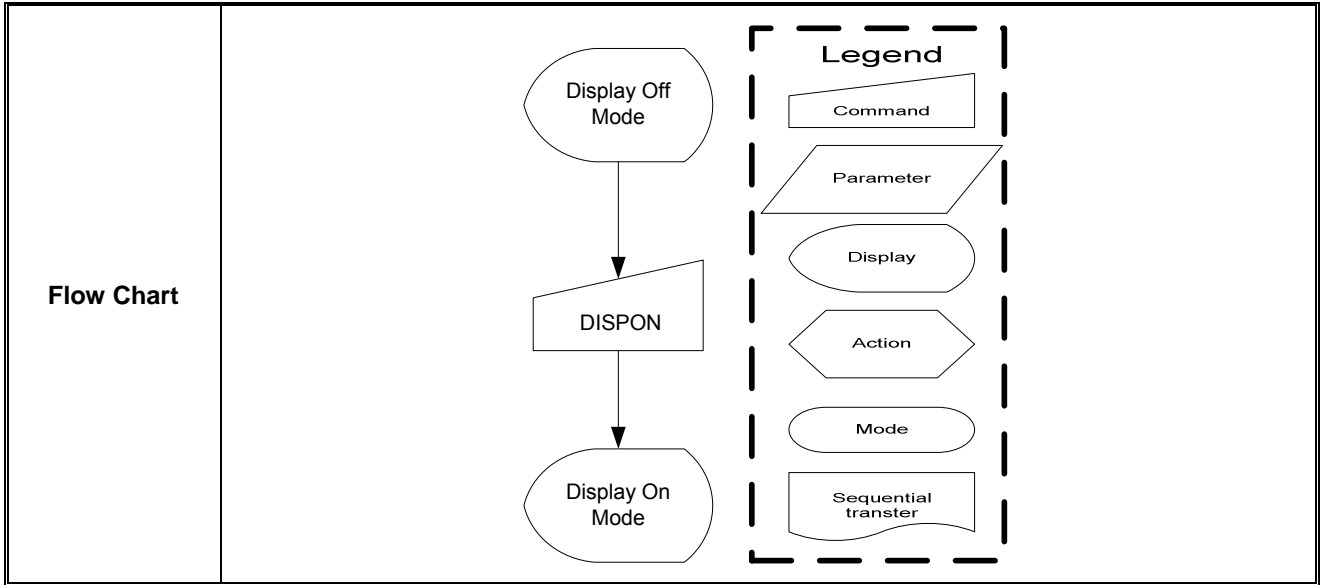
Description	<p>This command is used to enter into DISPLAY OFF mode. In this mode, the output from Frame Memory disables and blank page inserted.</p> <p>This command makes no change of contents of frame memory.</p> <p>This command does not change any other status.</p> <p>There will be no abnormal visible effect on the display.</p> <p>Exit from this command by Display On (29h)</p> <div style="text-align: center;"> </div>												
Restriction	This command has no effect when module is already in Display Off mode.												
Register Availability	<table border="1"> <thead> <tr> <th>Status</th> <th>Availability</th> </tr> </thead> <tbody> <tr> <td>Normal Mode On, Idle Mode Off, Sleep Out</td> <td>Yes</td> </tr> <tr> <td>Normal Mode On, Idle Mode On, Sleep Out</td> <td>Yes</td> </tr> <tr> <td>Partial Mode On, Idle Mode Off, Sleep Out</td> <td>Yes</td> </tr> <tr> <td>Partial Mode On, Idle Mode On, Sleep Out</td> <td>Yes</td> </tr> <tr> <td>Sleep In</td> <td>Yes</td> </tr> </tbody> </table>	Status	Availability	Normal Mode On, Idle Mode Off, Sleep Out	Yes	Normal Mode On, Idle Mode On, Sleep Out	Yes	Partial Mode On, Idle Mode Off, Sleep Out	Yes	Partial Mode On, Idle Mode On, Sleep Out	Yes	Sleep In	Yes
Status	Availability												
Normal Mode On, Idle Mode Off, Sleep Out	Yes												
Normal Mode On, Idle Mode On, Sleep Out	Yes												
Partial Mode On, Idle Mode Off, Sleep Out	Yes												
Partial Mode On, Idle Mode On, Sleep Out	Yes												
Sleep In	Yes												
Default	<table border="1"> <thead> <tr> <th>Status</th> <th>Default Value</th> </tr> </thead> <tbody> <tr> <td>Power On Sequence</td> <td>Display off</td> </tr> <tr> <td>S/W Reset</td> <td>Display off</td> </tr> <tr> <td>H/W Reset</td> <td>Display off</td> </tr> </tbody> </table>	Status	Default Value	Power On Sequence	Display off	S/W Reset	Display off	H/W Reset	Display off				
Status	Default Value												
Power On Sequence	Display off												
S/W Reset	Display off												
H/W Reset	Display off												



8.1.19. DISPON: Display On (29h)

Command	A0	/RD	/WR	D7	D6	D5	D4	D3	D2	D1	D0	Hex
DISPON	0	1	0	0	0	1	0	1	0	0	1	(29h)
Parameter	No Parameter											

Description	<p>Turn on the display screen according to the current display data RAM content and the display timing and setting.</p> <p>This command is used to recover from DISPLAY OFF mode. Output from the Frame Memory is enabled.</p> <p>This command makes no change of contents of frame memory.</p> <p>This command does not change any other status.</p> <div style="text-align: center;"> <p>(Example)</p> </div>												
Restriction	This command has no effect when module is already in Display On mode.												
Register Availability	<table border="1"> <thead> <tr> <th>Status</th> <th>Availability</th> </tr> </thead> <tbody> <tr> <td>Normal Mode On, Idle Mode Off, Sleep Out</td> <td>Yes</td> </tr> <tr> <td>Normal Mode On, Idle Mode On, Sleep Out</td> <td>Yes</td> </tr> <tr> <td>Partial Mode On, Idle Mode Off, Sleep Out</td> <td>Yes</td> </tr> <tr> <td>Partial Mode On, Idle Mode On, Sleep Out</td> <td>Yes</td> </tr> <tr> <td>Sleep In</td> <td>Yes</td> </tr> </tbody> </table>	Status	Availability	Normal Mode On, Idle Mode Off, Sleep Out	Yes	Normal Mode On, Idle Mode On, Sleep Out	Yes	Partial Mode On, Idle Mode Off, Sleep Out	Yes	Partial Mode On, Idle Mode On, Sleep Out	Yes	Sleep In	Yes
Status	Availability												
Normal Mode On, Idle Mode Off, Sleep Out	Yes												
Normal Mode On, Idle Mode On, Sleep Out	Yes												
Partial Mode On, Idle Mode Off, Sleep Out	Yes												
Partial Mode On, Idle Mode On, Sleep Out	Yes												
Sleep In	Yes												
Default	<table border="1"> <thead> <tr> <th>Status</th> <th>Default Value</th> </tr> </thead> <tbody> <tr> <td>Power On Sequence</td> <td>Display off</td> </tr> <tr> <td>S/W Reset</td> <td>Display off</td> </tr> <tr> <td>H/W Reset</td> <td>Display off</td> </tr> </tbody> </table>	Status	Default Value	Power On Sequence	Display off	S/W Reset	Display off	H/W Reset	Display off				
Status	Default Value												
Power On Sequence	Display off												
S/W Reset	Display off												
H/W Reset	Display off												

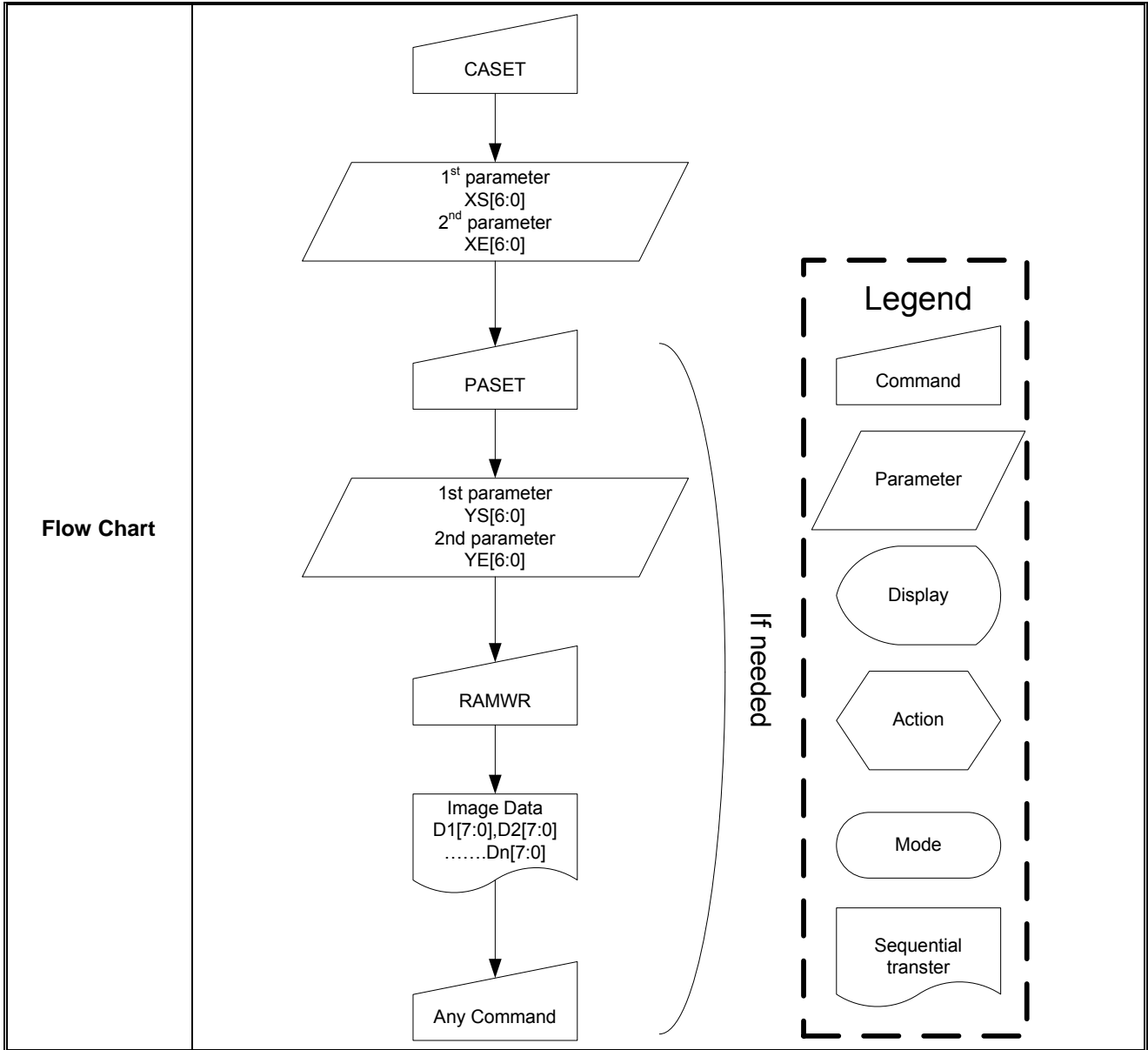


8.1.20. CASET: Column Address Set (2Ah)

NOTE: “-“ Don't care

Command	A0	/RD	/WR	D7	D6	D5	D4	D3	D2	D1	D0	Hex
CASET	0	1	0	0	0	1	0	1	0	1	0	(2Ah)
1 st Parameter	1	1	0	0	XS6	XS5	XS4	XS3	XS2	XS1	XS0	
2 nd Parameter	1	1	0	0	XE6	XE5	XE4	XE3	XE2	XE1	XE0	

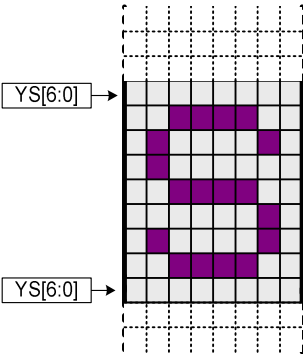
Description	<p>This command is used to define area of frame memory where MCU can access.</p> <p>This command makes no change on the other driver status.</p> <p>The value of XS [7:0] and XE [7:0] are referred when RAMWR command comes.</p> <p>Each value represents one column line in the Frame Memory.</p> <p style="text-align: center;">(Example)</p> <div style="text-align: center;"> </div>														
Restriction	<p>XS [6:0] always must be equal to or less than XE [6:0]</p> <p>When XS [6:0] or XE [6:0] is greater than 7Fh, data of out of range will be ignored.</p>														
Register Availability	<table border="1" style="width: 100%;"> <thead> <tr> <th>Status</th> <th>Availability</th> </tr> </thead> <tbody> <tr> <td>Normal Mode On, Idle Mode Off, Sleep Out</td> <td>Yes</td> </tr> <tr> <td>Normal Mode On, Idle Mode On, Sleep Out</td> <td>Yes</td> </tr> <tr> <td>Partial Mode On, Idle Mode Off, Sleep Out</td> <td>Yes</td> </tr> <tr> <td>Partial Mode On, Idle Mode On, Sleep Out</td> <td>Yes</td> </tr> <tr> <td>Sleep In</td> <td>Yes</td> </tr> </tbody> </table>	Status	Availability	Normal Mode On, Idle Mode Off, Sleep Out	Yes	Normal Mode On, Idle Mode On, Sleep Out	Yes	Partial Mode On, Idle Mode Off, Sleep Out	Yes	Partial Mode On, Idle Mode On, Sleep Out	Yes	Sleep In	Yes		
Status	Availability														
Normal Mode On, Idle Mode Off, Sleep Out	Yes														
Normal Mode On, Idle Mode On, Sleep Out	Yes														
Partial Mode On, Idle Mode Off, Sleep Out	Yes														
Partial Mode On, Idle Mode On, Sleep Out	Yes														
Sleep In	Yes														
Default	<table border="1" style="width: 100%;"> <thead> <tr> <th rowspan="2">Status</th> <th colspan="2">Default Value</th> </tr> <tr> <th>XS [6:0]</th> <th>XE [6:0]</th> </tr> </thead> <tbody> <tr> <td>Power On Sequence</td> <td>00h</td> <td>7Fh</td> </tr> <tr> <td>S/W Reset</td> <td>00h</td> <td>7Fh</td> </tr> <tr> <td>H/W Reset</td> <td>00h</td> <td>7Fh</td> </tr> </tbody> </table>	Status	Default Value		XS [6:0]	XE [6:0]	Power On Sequence	00h	7Fh	S/W Reset	00h	7Fh	H/W Reset	00h	7Fh
Status	Default Value														
	XS [6:0]	XE [6:0]													
Power On Sequence	00h	7Fh													
S/W Reset	00h	7Fh													
H/W Reset	00h	7Fh													

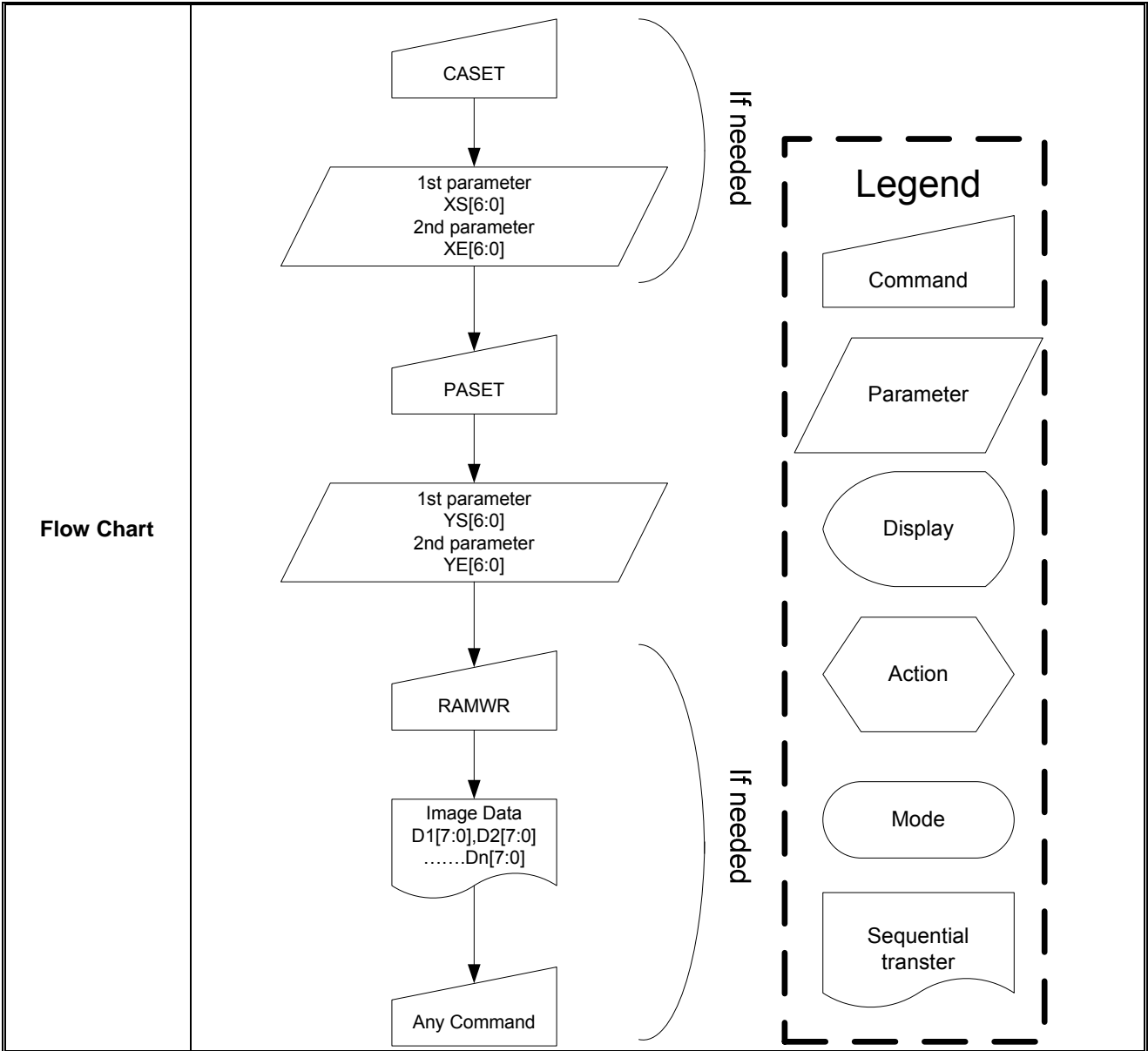


8.1.21. RASET: Row Address Set (2Bh)

NOTE: “-“ Don't care

Command	A0	/RD	/WR	D7	D6	D5	D4	D3	D2	D1	D0	Hex
RASET	0	1	0	0	0	1	0	1	0	1	1	(2Bh)
1 st Parameter	1	1	0	0	YS6	YS5	YS4	YS3	YS2	YS1	YS0	
2 nd Parameter	1	1	0	0	YE6	YE5	YE4	YE3	YE2	YE1	YE0	

Description	<p>This command is used to define area of frame memory where MCU can access.</p> <p>This command makes no change on the other driver status.</p> <p>The value of YS [6:0] and YE [6:0] are referred when RAMWR command comes.</p> <p>Each value represents one column line in the Frame Memory.</p> <p style="text-align: center;">(Example)</p> 														
Restriction	<p>YS [6:0] always must be equal to or less than YE [6:0]</p> <p>When YS [6:0] or YE [6:0] is greater than 7Fh, data of out of range will be ignored.</p>														
Register Availability	<table border="1"> <thead> <tr> <th>Status</th> <th>Availability</th> </tr> </thead> <tbody> <tr> <td>Normal Mode On, Idle Mode Off, Sleep Out</td> <td>Yes</td> </tr> <tr> <td>Normal Mode On, Idle Mode On, Sleep Out</td> <td>Yes</td> </tr> <tr> <td>Partial Mode On, Idle Mode Off, Sleep Out</td> <td>Yes</td> </tr> <tr> <td>Partial Mode On, Idle Mode On, Sleep Out</td> <td>Yes</td> </tr> <tr> <td>Sleep In</td> <td>Yes</td> </tr> </tbody> </table>	Status	Availability	Normal Mode On, Idle Mode Off, Sleep Out	Yes	Normal Mode On, Idle Mode On, Sleep Out	Yes	Partial Mode On, Idle Mode Off, Sleep Out	Yes	Partial Mode On, Idle Mode On, Sleep Out	Yes	Sleep In	Yes		
Status	Availability														
Normal Mode On, Idle Mode Off, Sleep Out	Yes														
Normal Mode On, Idle Mode On, Sleep Out	Yes														
Partial Mode On, Idle Mode Off, Sleep Out	Yes														
Partial Mode On, Idle Mode On, Sleep Out	Yes														
Sleep In	Yes														
Default	<table border="1"> <thead> <tr> <th rowspan="2">Status</th> <th colspan="2">Default Value</th> </tr> <tr> <th>XS [6:0]</th> <th>XE [6:0]</th> </tr> </thead> <tbody> <tr> <td>Power On Sequence</td> <td>00h</td> <td>7Fh</td> </tr> <tr> <td>S/W Reset</td> <td>00h</td> <td>7Fh</td> </tr> <tr> <td>H/W Reset</td> <td>00h</td> <td>7Fh</td> </tr> </tbody> </table>	Status	Default Value		XS [6:0]	XE [6:0]	Power On Sequence	00h	7Fh	S/W Reset	00h	7Fh	H/W Reset	00h	7Fh
Status	Default Value														
	XS [6:0]	XE [6:0]													
Power On Sequence	00h	7Fh													
S/W Reset	00h	7Fh													
H/W Reset	00h	7Fh													



8.1.22. RAMWR: Memory Write (2Ch)

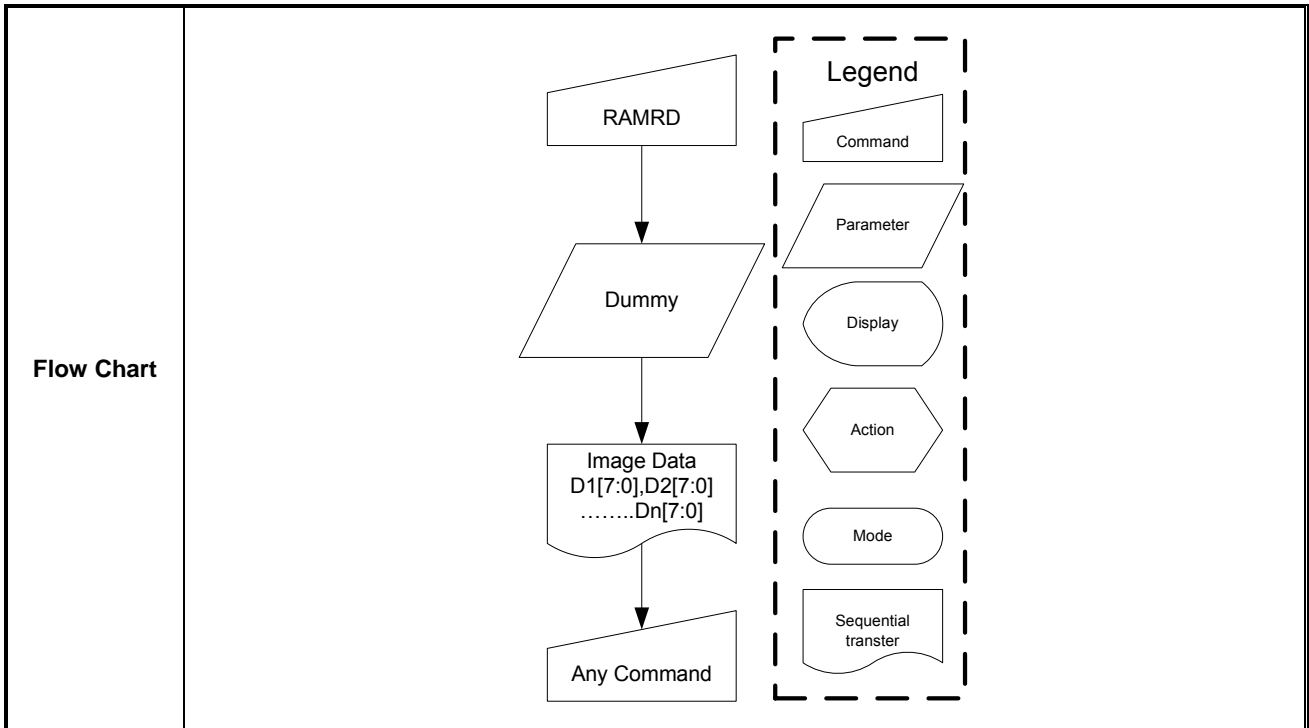
Command	A0	/RD	/WR	D7	D6	D5	D4	D3	D2	D1	D0	Hex
RAMWR	0	1	0	0	0	1	0	1	1	0	0	(2Ch)
Write D1[7:0]	1	1	0	D7	D6	D5	D4	D3	D2	D1	D0	-
:	1	1	0	:	:	:	:	:	:	:	:	-
Write Dn[7:0]	1	1	0	D7	D6	D5	D4	D3	D2	D1	D0	-

Description	<p>This command is used to transfer data MCU to frame memory.</p> <p>This command makes no change to the other driver status.</p> <p>When this command is accepted, the column register and the row register are reset to the Start Column/Start Row positions.</p> <p>The Start Column/Start Row positions are different in accordance with MADCTR setting. Then D [7:0] is stored in frame memory and the column register and the row register incremented.</p> <p>Frame Write can be canceled by sending any other command.</p>												
Restriction	In all color modes, there is no restriction on length of parameters.												
Register Availability	<table border="1"> <thead> <tr> <th>Status</th> <th>Availability</th> </tr> </thead> <tbody> <tr> <td>Normal Mode On, Idle Mode Off, Sleep Out</td> <td>Yes</td> </tr> <tr> <td>Normal Mode On, Idle Mode On, Sleep Out</td> <td>Yes</td> </tr> <tr> <td>Partial Mode On, Idle Mode Off, Sleep Out</td> <td>Yes</td> </tr> <tr> <td>Partial Mode On, Idle Mode On, Sleep Out</td> <td>Yes</td> </tr> <tr> <td>Sleep In</td> <td>Yes</td> </tr> </tbody> </table>	Status	Availability	Normal Mode On, Idle Mode Off, Sleep Out	Yes	Normal Mode On, Idle Mode On, Sleep Out	Yes	Partial Mode On, Idle Mode Off, Sleep Out	Yes	Partial Mode On, Idle Mode On, Sleep Out	Yes	Sleep In	Yes
Status	Availability												
Normal Mode On, Idle Mode Off, Sleep Out	Yes												
Normal Mode On, Idle Mode On, Sleep Out	Yes												
Partial Mode On, Idle Mode Off, Sleep Out	Yes												
Partial Mode On, Idle Mode On, Sleep Out	Yes												
Sleep In	Yes												
Default	<table border="1"> <thead> <tr> <th>Status</th> <th>Default Value</th> </tr> </thead> <tbody> <tr> <td>Power On Sequence</td> <td>Contents of memory is set randomly</td> </tr> <tr> <td>S/W Reset</td> <td>Contents of memory is remained</td> </tr> <tr> <td>H/W Reset</td> <td>Contents of memory is remained</td> </tr> </tbody> </table>	Status	Default Value	Power On Sequence	Contents of memory is set randomly	S/W Reset	Contents of memory is remained	H/W Reset	Contents of memory is remained				
Status	Default Value												
Power On Sequence	Contents of memory is set randomly												
S/W Reset	Contents of memory is remained												
H/W Reset	Contents of memory is remained												
Flow Chart	<pre> graph TD RAMWR[RAMWR] --> ImageData[/Image Data D1[7:0], D2[7:0] Dn[7:0]/] ImageData --> AnyCommand[Any Command] </pre> <p>Legend</p> <ul style="list-style-type: none"> Command: Rectangle Parameter: Parallelogram Display: Oval Action: Hexagon Mode: Rounded rectangle Sequential transfer: Wavy-bottom rectangle 												

8.1.23. RAMRO : Memory Read (2EH)

Command	A0	/RD	/WR	D7	D6	D5	D4	D3	D2	D1	D0	HEX
RAMRO	0	1	0	0	0	1	0	1	1	1	0	(2Eh)
Dummy read	1	0	1	x	x	x	x	x	x	x	x	-
2nd parameter	1	0	1	D17	D16	D15	D14	D13	D12	D11	D10	00H ~ FFH
...	1	0	1	Dx7	Dx6	Dx5	Dx4	Dx3	Dx2	Dx1	Dx0	00H ~ FFH
(N+1)th parameter	1	0	1	Dn7	Dn6	Dn5	Dn4	Dn3	Dn2	Dn1	Dn0	00H ~ FFH

Description	<p>This command is used to transfer data from frame memory to MCU. When this command is accepted, the column register and the page register are reset to the Start Column/Start Page positions. The Start Column/Start Page positions are different in accordance with MADCTR setting. Then D[7:0] is read back from the frame memory and the column register and the page register incremented. Frame Read can be stopped by sending any other command.</p>												
Restriction	<p>In all color modes, the Frame Read is always 16bit so there is no restriction on length of parameters. <i>Note: Memory Read is only possible via the Parallel Interface.</i></p>												
Register Availability	<table border="1" style="margin-left: auto; margin-right: auto;"> <thead> <tr> <th>Status</th> <th>Availability</th> </tr> </thead> <tbody> <tr> <td>Normal Mode On, Idle Mode Off, Sleep Out</td> <td>Yes</td> </tr> <tr> <td>Normal Mode On, Idle Mode On, Sleep Out</td> <td>Yes</td> </tr> <tr> <td>Partial Mode On, Idle Mode Off, Sleep Out</td> <td>Yes</td> </tr> <tr> <td>Partial Mode On, Idle Mode On, Sleep Out</td> <td>Yes</td> </tr> <tr> <td>Sleep In or Booster Off</td> <td>Yes</td> </tr> </tbody> </table>	Status	Availability	Normal Mode On, Idle Mode Off, Sleep Out	Yes	Normal Mode On, Idle Mode On, Sleep Out	Yes	Partial Mode On, Idle Mode Off, Sleep Out	Yes	Partial Mode On, Idle Mode On, Sleep Out	Yes	Sleep In or Booster Off	Yes
Status	Availability												
Normal Mode On, Idle Mode Off, Sleep Out	Yes												
Normal Mode On, Idle Mode On, Sleep Out	Yes												
Partial Mode On, Idle Mode Off, Sleep Out	Yes												
Partial Mode On, Idle Mode On, Sleep Out	Yes												
Sleep In or Booster Off	Yes												
Default	<table border="1" style="margin-left: auto; margin-right: auto;"> <thead> <tr> <th>Status</th> <th>Default Value</th> </tr> </thead> <tbody> <tr> <td>Power On Sequence</td> <td>Contents of memory is set randomly</td> </tr> <tr> <td>S/W Reset</td> <td>Contents of memory is not cleared</td> </tr> <tr> <td>H/W Reset</td> <td>Contents of memory is not cleared</td> </tr> </tbody> </table>	Status	Default Value	Power On Sequence	Contents of memory is set randomly	S/W Reset	Contents of memory is not cleared	H/W Reset	Contents of memory is not cleared				
Status	Default Value												
Power On Sequence	Contents of memory is set randomly												
S/W Reset	Contents of memory is not cleared												
H/W Reset	Contents of memory is not cleared												



8.1.24. PTLAR: Partial Area (30h)

NOTE: “-“ Don't care

Command	A0	/RD	/WR	D7	D6	D5	D4	D3	D2	D1	D0	Hex
PTLAR	0	1	0	0	0	1	1	0	0	0	0	(30h)
1st Parameter	1	1	0	0	PS6	PS5	PS4	PS3	PS2	PS1	PS0	-
2nd Parameter	1	1	0	0	PE6	PE5	PE4	PE3	PE2	PE1	PE0	-

Description

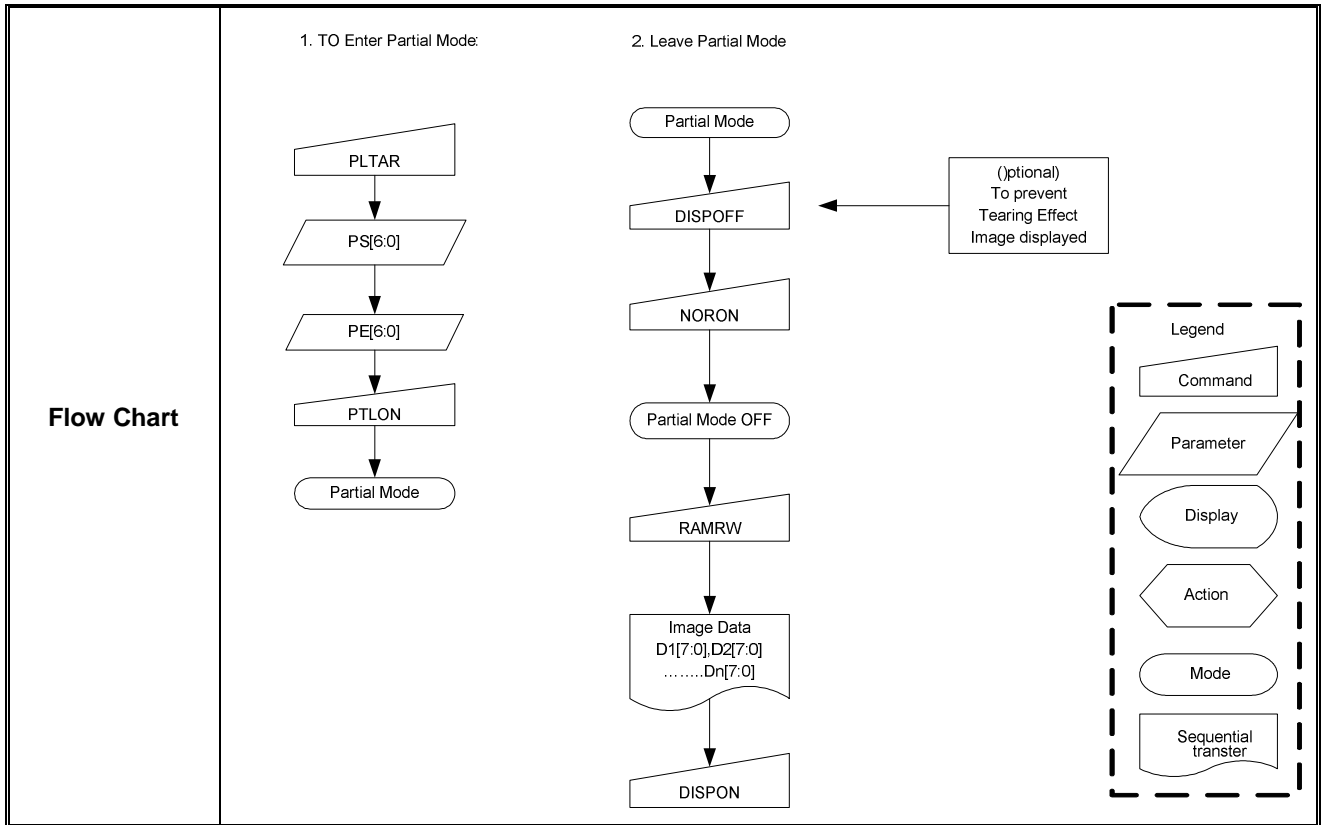
This command defines the partial mode's display area. There are 2 parameters associated with this command, the first defines the Start Line (PS) and the second the End Line (PE), as illustrated in the figures below. PS and PE refer to the Frame Memory Line counter.

If End Line > Start Line when MADCTR ML=0:

If End Line > Start Line when MADCTR ML=1:

If End Line < Start Line when MADCTR ML=0:

	<p>* Row1: Frame memory row address 1. If End Line = Start Line then the Partial Area will be one line deep.</p>														
<p>Restriction</p>	<p>PS[6:0] and PE[6:0] are based on line unit. PS[6:0]=00h, 01h, 02h, 03h, ... , 7Fh PE[6:0]= 00h, 01h, 02h, 03h, ... , 7Fh</p>														
<p>Register Availability</p>	<table border="1"> <thead> <tr> <th>Status</th> <th>Availability</th> </tr> </thead> <tbody> <tr> <td>Normal Mode On, Idle Mode Off, Sleep Out</td> <td>Yes</td> </tr> <tr> <td>Normal Mode On, Idle Mode On, Sleep Out</td> <td>Yes</td> </tr> <tr> <td>Partial Mode On, Idle Mode Off, Sleep Out</td> <td>Yes</td> </tr> <tr> <td>Partial Mode On, Idle Mode On, Sleep Out</td> <td>Yes</td> </tr> <tr> <td>Sleep In</td> <td>Yes</td> </tr> </tbody> </table>	Status	Availability	Normal Mode On, Idle Mode Off, Sleep Out	Yes	Normal Mode On, Idle Mode On, Sleep Out	Yes	Partial Mode On, Idle Mode Off, Sleep Out	Yes	Partial Mode On, Idle Mode On, Sleep Out	Yes	Sleep In	Yes		
Status	Availability														
Normal Mode On, Idle Mode Off, Sleep Out	Yes														
Normal Mode On, Idle Mode On, Sleep Out	Yes														
Partial Mode On, Idle Mode Off, Sleep Out	Yes														
Partial Mode On, Idle Mode On, Sleep Out	Yes														
Sleep In	Yes														
<p>Default</p>	<table border="1"> <thead> <tr> <th rowspan="2">Status</th> <th colspan="2">Default Value</th> </tr> <tr> <th>PS[6:0]</th> <th>PE[6:0]</th> </tr> </thead> <tbody> <tr> <td>Power On Sequence</td> <td>00h</td> <td>7Fh</td> </tr> <tr> <td>S/W Reset</td> <td>00h</td> <td>7Fh</td> </tr> <tr> <td>H/W Reset</td> <td>00h</td> <td>7Fh</td> </tr> </tbody> </table>	Status	Default Value		PS[6:0]	PE[6:0]	Power On Sequence	00h	7Fh	S/W Reset	00h	7Fh	H/W Reset	00h	7Fh
Status	Default Value														
	PS[6:0]	PE[6:0]													
Power On Sequence	00h	7Fh													
S/W Reset	00h	7Fh													
H/W Reset	00h	7Fh													



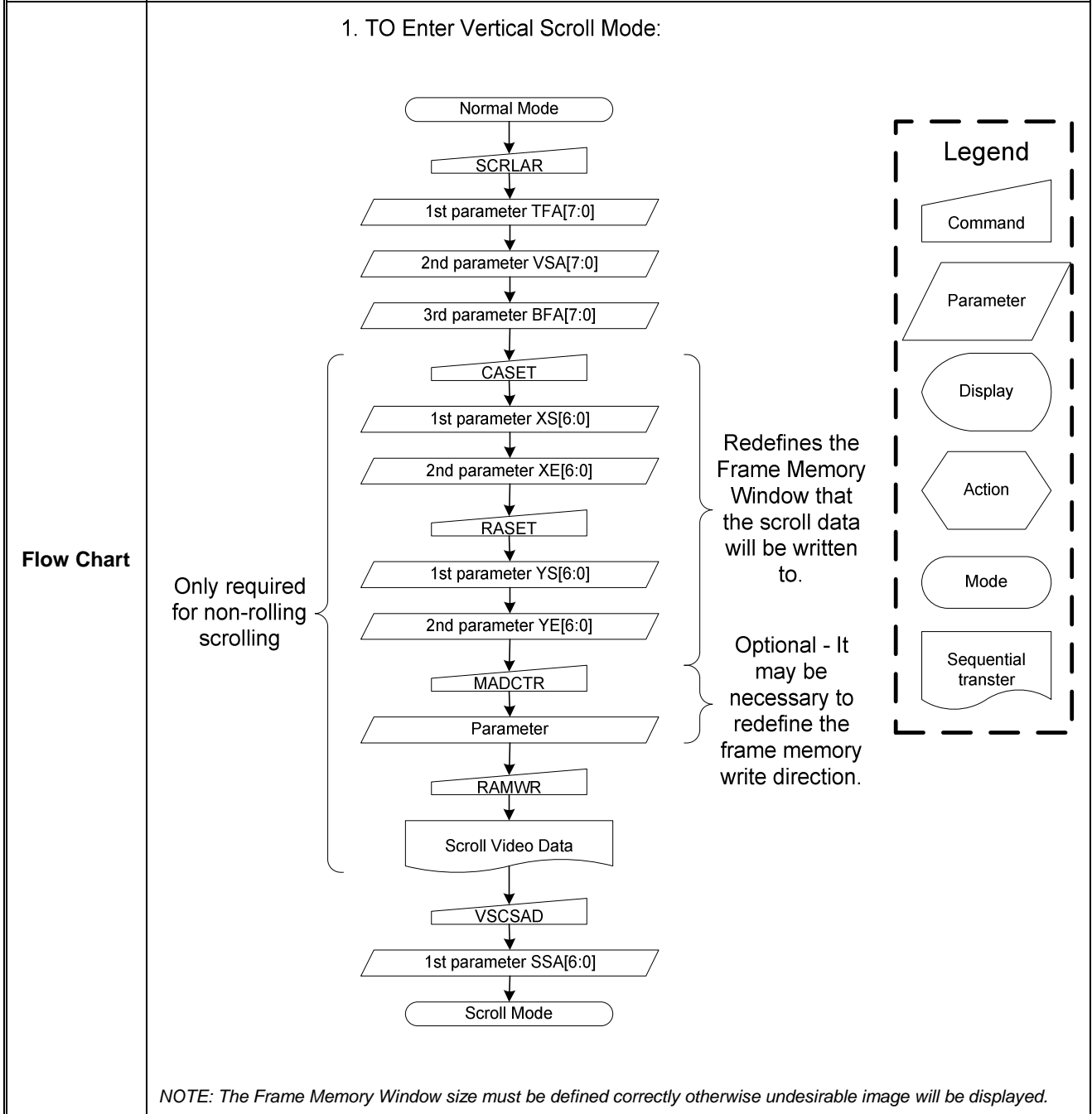
8.1.25. SCRLAR: Scroll Area (33h)

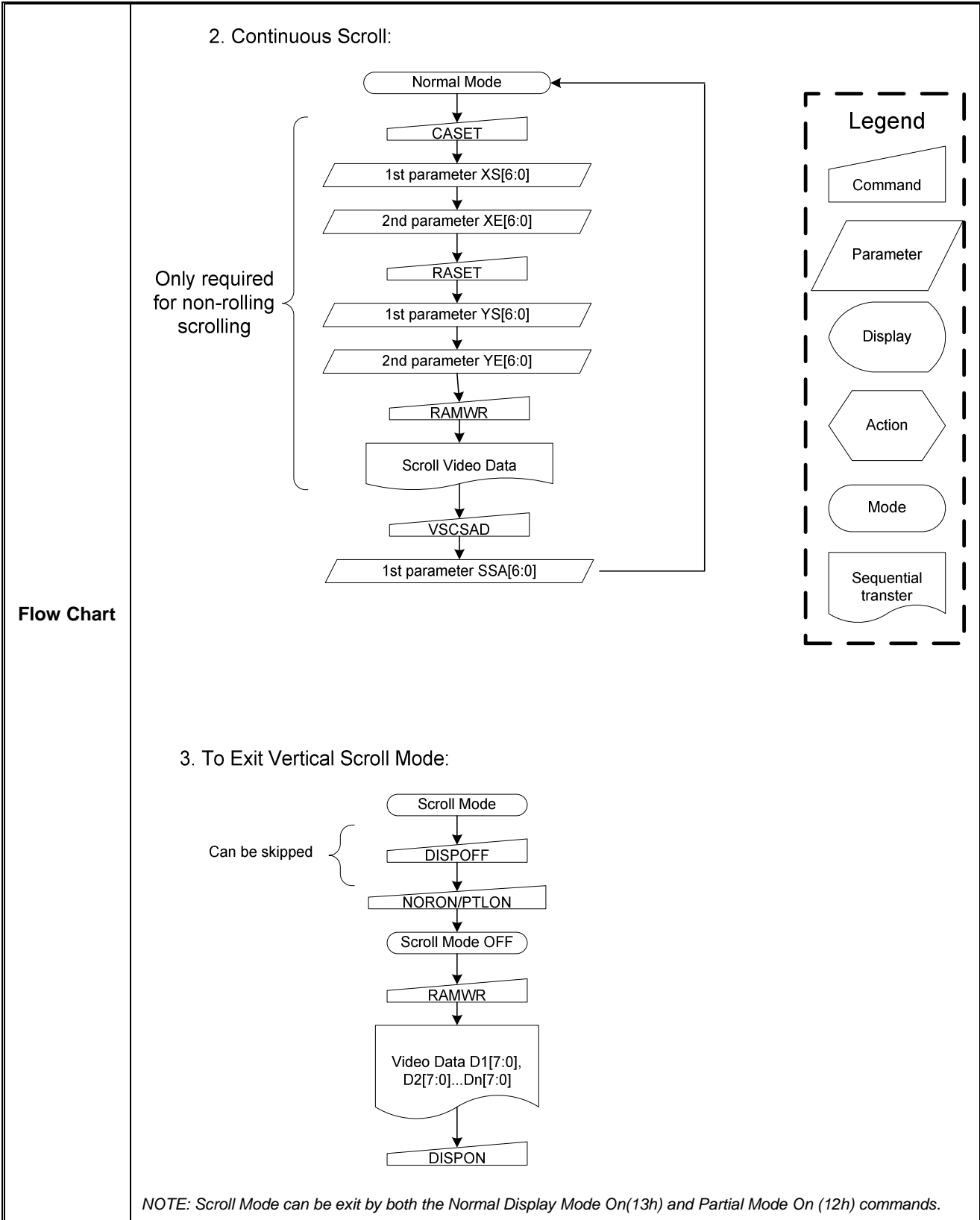
NOTE: “-“ Don't care

Command	A0	/RD	/WR	D7	D6	D5	D4	D3	D2	D1	D0	Hex
SCRLAR	0	1	0	0	0	1	1	0	0	1	1	(33h)
1 st parameter	1	1	0	TFA7	TFA6	TFA5	TFA4	TFA3	TFA2	TFA1	TFA0	-
2 nd parameter	1	1	0	VSA7	VSA6	VSA5	VSA4	VSA3	VSA2	VSA1	VSA0	-
3 rd parameter	1	1	0	BFA7	BFA6	BFA5	BFA4	BFA3	BFA2	BFA1	BFA0	-

<p>Description</p>	<p>This command just defines the Vertical Scrolling Area of the display and not performs vertical scroll. When MADCTR ML=0</p> <p>The 1st parameter TFA [7:0] describes the Top Fixed Area (in No. of lines from Top of the Frame Memory and Display).</p> <p>The 2nd parameter VSA [7:0] describes the height of the Vertical Scrolling Area (in No. of lines of the Frame Memory [not the display] from the Vertical Scrolling Start Address) The first line appears immediately after the bottom most line of the Top Fixed Area.</p> <p>The 3rd parameter BFA [7:0] describes the Bottom Fixed Area (in No. of lines from Bottom of the Frame Memory and Display).</p> <p>TFA, VSA and BFA refer to the Frame Memory Line Pointer.</p> <div data-bbox="662 1093 1109 1473" data-label="Diagram"> </div>												
<p>Restriction</p>	<p>The condition is (TFA+VSA+BFA) = 128, otherwise Scrolling mode is undefined.</p>												
<p>Register Availability</p>	<table border="1"> <thead> <tr> <th>Status</th> <th>Availability</th> </tr> </thead> <tbody> <tr> <td>Normal Mode On, Idle Mode Off, Sleep Out</td> <td>Yes</td> </tr> <tr> <td>Normal Mode On, Idle Mode On, Sleep Out</td> <td>Yes</td> </tr> <tr> <td>Partial Mode On, Idle Mode Off, Sleep Out</td> <td>Yes</td> </tr> <tr> <td>Partial Mode On, Idle Mode On, Sleep Out</td> <td>Yes</td> </tr> <tr> <td>Sleep In</td> <td>Yes</td> </tr> </tbody> </table>	Status	Availability	Normal Mode On, Idle Mode Off, Sleep Out	Yes	Normal Mode On, Idle Mode On, Sleep Out	Yes	Partial Mode On, Idle Mode Off, Sleep Out	Yes	Partial Mode On, Idle Mode On, Sleep Out	Yes	Sleep In	Yes
Status	Availability												
Normal Mode On, Idle Mode Off, Sleep Out	Yes												
Normal Mode On, Idle Mode On, Sleep Out	Yes												
Partial Mode On, Idle Mode Off, Sleep Out	Yes												
Partial Mode On, Idle Mode On, Sleep Out	Yes												
Sleep In	Yes												

Default	Status	Default Value		
		TFA [7:0]	VSA [7:0]	BFA [7:0]
	Power On Sequence	00h	80h	00h
	S/W Reset	00h	80h	00h
	H/W Reset	00h	80h	00h





8.1.26. TEOFF: Tearing Effect Line OFF (34h)

Command	A0	/RD	/WR	D7	D6	D5	D4	D3	D2	D1	D0	Hex
TEOFF	0	1	0	0	0	1	1	0	1	0	0	(34h)
Parameter	No Parameter											

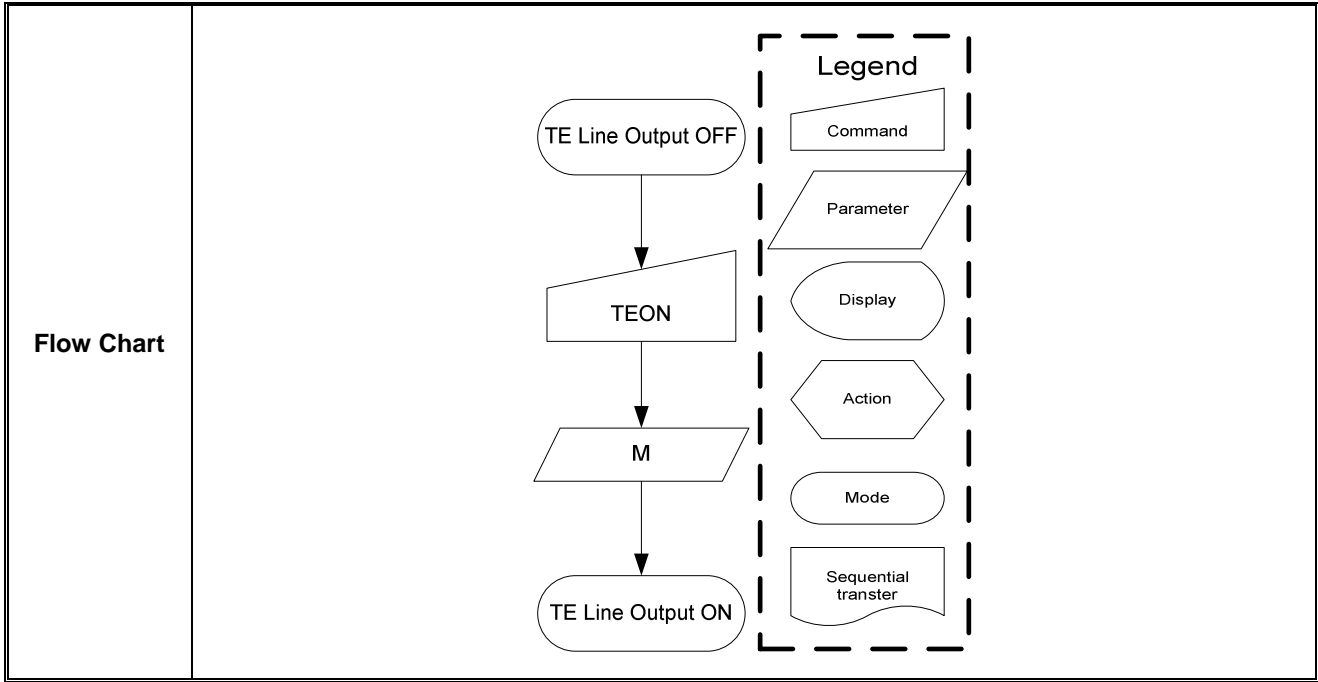
Description	This command is used to turn OFF (Active Low) the Tearing Effect output signal from the TE signal line.													
Restriction	This command has no effect when Tearing Effect output is already OFF.													
Register Availability	<table border="1"> <thead> <tr> <th>Status</th> <th>Availability</th> </tr> </thead> <tbody> <tr> <td>Normal Mode On, Idle Mode Off, Sleep Out</td> <td>Yes</td> </tr> <tr> <td>Normal Mode On, Idle Mode On, Sleep Out</td> <td>Yes</td> </tr> <tr> <td>Partial Mode On, Idle Mode Off, Sleep Out</td> <td>Yes</td> </tr> <tr> <td>Partial Mode On, Idle Mode On, Sleep Out</td> <td>Yes</td> </tr> <tr> <td>Sleep In</td> <td>Yes</td> </tr> </tbody> </table>		Status	Availability	Normal Mode On, Idle Mode Off, Sleep Out	Yes	Normal Mode On, Idle Mode On, Sleep Out	Yes	Partial Mode On, Idle Mode Off, Sleep Out	Yes	Partial Mode On, Idle Mode On, Sleep Out	Yes	Sleep In	Yes
Status	Availability													
Normal Mode On, Idle Mode Off, Sleep Out	Yes													
Normal Mode On, Idle Mode On, Sleep Out	Yes													
Partial Mode On, Idle Mode Off, Sleep Out	Yes													
Partial Mode On, Idle Mode On, Sleep Out	Yes													
Sleep In	Yes													
Default	<table border="1"> <thead> <tr> <th>Status</th> <th>Default Value</th> </tr> </thead> <tbody> <tr> <td>Power On Sequence</td> <td>Tearing effect off</td> </tr> <tr> <td>S/W Reset</td> <td>Tearing effect off</td> </tr> <tr> <td>H/W Reset</td> <td>Tearing effect off</td> </tr> </tbody> </table>		Status	Default Value	Power On Sequence	Tearing effect off	S/W Reset	Tearing effect off	H/W Reset	Tearing effect off				
Status	Default Value													
Power On Sequence	Tearing effect off													
S/W Reset	Tearing effect off													
H/W Reset	Tearing effect off													
Flow Chart	<pre> graph TD A([TE Line Output ON]) --> B[/TEOFF/] B --> C([TE Line Output OFF]) </pre> <p>Legend</p> <ul style="list-style-type: none"> Command: Trapezoid Parameter: Parallelogram Display: Oval Action: Hexagon Mode: Rounded rectangle Sequential transfer: Wavy bottom 													

8.1.27. TEON: Tearing Effect Line ON (35h)

NOTE: "-" Don't care

Command	A0	/RD	/WR	D7	D6	D5	D4	D3	D2	D1	D0	Hex
TEON	0	1	0	0	0	1	1	0	1	0	1	(35h)
Parameter	1	1	0	-	-	-	-	-	-	-	M	

Description	<p>This command is used to turn ON the Tearing Effect output signal from the TE signal line. This output is not affected by changing MADCTR bit ML.</p> <p>The Tearing Effect Line On has one parameter, which describes the mode of the Tearing Effect Output Line. ("-="Don't Care).</p> <p>When M=0: The Tearing Effect Output Line consists of V-Blanking information only:</p> <p>When M=1: The Tearing Effect Output Line consists of both V-Blanking and H-Blanking information:</p> <p>See section 7.4.8 for more information.</p> <p>Note: During Sleep In Mode with Tearing Effect Line On, Tearing Effect Output pin will be active Low.</p>												
	Restriction	This command has no effect when Tearing Effect output is already OFF.											
Register Availability	<table border="1"> <thead> <tr> <th>Status</th> <th>Availability</th> </tr> </thead> <tbody> <tr> <td>Normal Mode On, Idle Mode Off, Sleep Out</td> <td>Yes</td> </tr> <tr> <td>Normal Mode On, Idle Mode On, Sleep Out</td> <td>Yes</td> </tr> <tr> <td>Partial Mode On, Idle Mode Off, Sleep Out</td> <td>Yes</td> </tr> <tr> <td>Partial Mode On, Idle Mode On, Sleep Out</td> <td>Yes</td> </tr> <tr> <td>Sleep In</td> <td>Yes</td> </tr> </tbody> </table>	Status	Availability	Normal Mode On, Idle Mode Off, Sleep Out	Yes	Normal Mode On, Idle Mode On, Sleep Out	Yes	Partial Mode On, Idle Mode Off, Sleep Out	Yes	Partial Mode On, Idle Mode On, Sleep Out	Yes	Sleep In	Yes
	Status	Availability											
Normal Mode On, Idle Mode Off, Sleep Out	Yes												
Normal Mode On, Idle Mode On, Sleep Out	Yes												
Partial Mode On, Idle Mode Off, Sleep Out	Yes												
Partial Mode On, Idle Mode On, Sleep Out	Yes												
Sleep In	Yes												
Default	<table border="1"> <thead> <tr> <th>Status</th> <th>Default Value</th> </tr> </thead> <tbody> <tr> <td>Power On Sequence</td> <td>Tearing effect off & M=0</td> </tr> <tr> <td>S/W Reset</td> <td>Tearing effect off & M=0</td> </tr> <tr> <td>H/W Reset</td> <td>Tearing effect off & M=0</td> </tr> </tbody> </table>	Status	Default Value	Power On Sequence	Tearing effect off & M=0	S/W Reset	Tearing effect off & M=0	H/W Reset	Tearing effect off & M=0				
	Status	Default Value											
Power On Sequence	Tearing effect off & M=0												
S/W Reset	Tearing effect off & M=0												
H/W Reset	Tearing effect off & M=0												



8.1.28. MADCTR: Memory Data Access Control (36h)

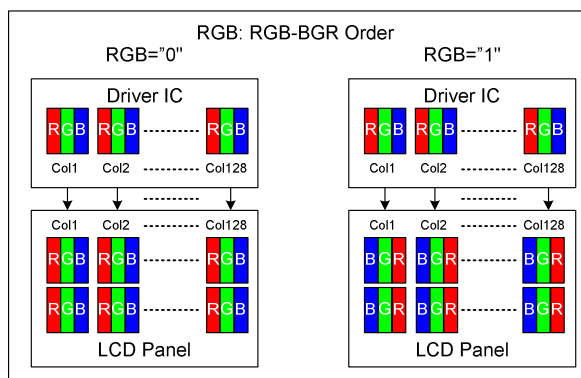
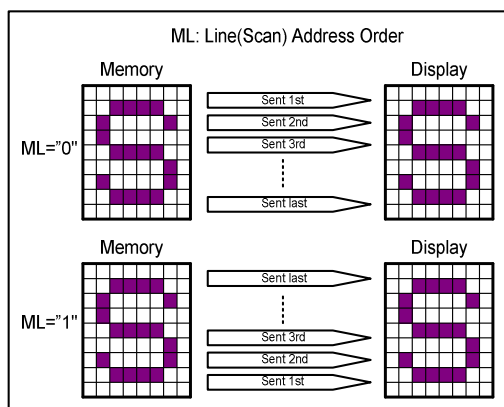
NOTE: "-" Don't care

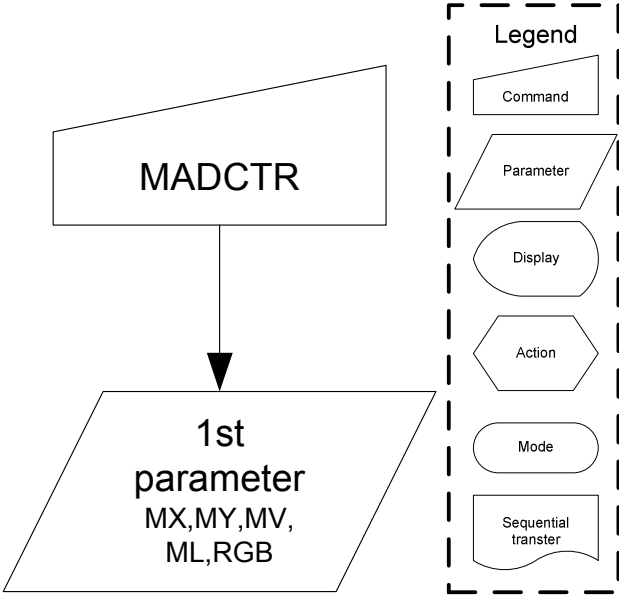
Command	A0	/RD	/WR	D7	D6	D5	D4	D3	D2	D1	D0	Hex
MADCTR	0	1	0	0	0	1	1	0	1	1	0	(36h)
Parameter	1	1	0	MY	MX	MV	ML	RGB	-	-	-	-

This command defines read/write scanning direction of frame memory.
 This command makes no change on the other driver status.
 Note: ML affects to Partial Area (30h), Vertical Scrolling Definition (33h), Vertical Scrolling Start address (37h), Partial On (12h) commands
 Bit Assignment

Bit	NAME	DESCRIPTION
MY	ROW ADDRESS ORDER	These 3bits controls MCU to memory write/read direction.
MX	COLUMN ADDRESS ORDER	
MV	ROW/COLUMN ORDER	
ML	LINE ADDRESS ORDER	LCD refresh direction control
RGB	RGB-BGR ORDER	Color selector switch control 0=RGB color filter panel, 1=BGR color filter panel) The contents of the frame memory are not changed.

Description



Restriction	D2, D1 and D0 of the 1st parameter are set to '000' internally.													
Register Availability	<table border="1"> <thead> <tr> <th data-bbox="430 250 973 302">Status</th> <th data-bbox="973 250 1388 302">Availability</th> </tr> </thead> <tbody> <tr> <td data-bbox="430 302 973 353">Normal Mode On, Idle Mode Off, Sleep Out</td> <td data-bbox="973 302 1388 353">Yes</td> </tr> <tr> <td data-bbox="430 353 973 405">Normal Mode On, Idle Mode On, Sleep Out</td> <td data-bbox="973 353 1388 405">Yes</td> </tr> <tr> <td data-bbox="430 405 973 456">Partial Mode On, Idle Mode Off, Sleep Out</td> <td data-bbox="973 405 1388 456">Yes</td> </tr> <tr> <td data-bbox="430 456 973 508">Partial Mode On, Idle Mode On, Sleep Out</td> <td data-bbox="973 456 1388 508">Yes</td> </tr> <tr> <td data-bbox="430 508 973 560">Sleep In</td> <td data-bbox="973 508 1388 560">Yes</td> </tr> </tbody> </table>		Status	Availability	Normal Mode On, Idle Mode Off, Sleep Out	Yes	Normal Mode On, Idle Mode On, Sleep Out	Yes	Partial Mode On, Idle Mode Off, Sleep Out	Yes	Partial Mode On, Idle Mode On, Sleep Out	Yes	Sleep In	Yes
Status	Availability													
Normal Mode On, Idle Mode Off, Sleep Out	Yes													
Normal Mode On, Idle Mode On, Sleep Out	Yes													
Partial Mode On, Idle Mode Off, Sleep Out	Yes													
Partial Mode On, Idle Mode On, Sleep Out	Yes													
Sleep In	Yes													
Default	<table border="1"> <thead> <tr> <th data-bbox="430 611 909 663">Status</th> <th data-bbox="909 611 1388 663">Default Value</th> </tr> </thead> <tbody> <tr> <td data-bbox="430 663 909 714">Power On Sequence</td> <td data-bbox="909 663 1388 714">MY=0,MX=0,MV=0,ML=0,RGB=0</td> </tr> <tr> <td data-bbox="430 714 909 766">S/W Reset</td> <td data-bbox="909 714 1388 766">Not changed</td> </tr> <tr> <td data-bbox="430 766 909 817">H/W Reset</td> <td data-bbox="909 766 1388 817">MY=0,MX=0,MV=0,ML=0,RGB=0</td> </tr> </tbody> </table>		Status	Default Value	Power On Sequence	MY=0,MX=0,MV=0,ML=0,RGB=0	S/W Reset	Not changed	H/W Reset	MY=0,MX=0,MV=0,ML=0,RGB=0				
Status	Default Value													
Power On Sequence	MY=0,MX=0,MV=0,ML=0,RGB=0													
S/W Reset	Not changed													
H/W Reset	MY=0,MX=0,MV=0,ML=0,RGB=0													
Flow Chart	 <p>The flow chart shows a trapezoidal box labeled 'MADCTR' with a downward arrow pointing to a parallelogram box labeled '1st parameter' which lists 'MX, MY, MV, ML, RGB'. To the right is a legend box containing six symbols: a trapezoid for 'Command', a parallelogram for 'Parameter', an oval for 'Display', a hexagon for 'Action', a rounded rectangle for 'Mode', and a wavy rectangle for 'Sequential transfer'.</p>													

8.1.29. VSCSAD: Vertical Scroll Start Address of RAM (37h)

Command	A0	/RD	/WR	D7	D6	D5	D4	D3	D2	D1	D0	Hex
VSCSAD	0	1	0	0	0	1	1	0	1	1	1	(37h)
Parameter	1	1	0	0	SSA6	SSA5	SSA4	SSA3	SSA2	SSA1	SSA0	

Description

This command is used together with Vertical Scrolling Definition (33h). These two commands describe the scrolling area and the scrolling mode.

The Vertical Scrolling Start Address command has one parameter which describes which line in the Frame Memory will be written as the first line after the last line of the Top Fixed Area on the display as illustrated below:

This command Start the scrolling.

Exit from V-scrolling mode by commands Partial mode On (12h) or Normal mode On (13h).

When MADCTR ML=0

Example:
When Top Fixed Area=Bottom Fixed Area=00, Vertical Scrolling Area=128 and Vertical Scrolling Pointer SSA='3'.

When MADCTR ML=1

Example:
When Top Fixed Area=Bottom Fixed Area=00, Vertical Scrolling Area=128 and Vertical Scrolling Pointer SSA='3'.

NOTE: When new Pointer position and Picture Data are sent, the result on the display will happen at the next Panel Scan to avoid tearing effect.

SSA refers to the Frame Memory line Pointer.

Restriction	<p>Since the value of the Vertical Scrolling Start Address is absolute (with reference to the Frame Memory), it must not enter the fixed area (defined by Vertical Scrolling Definition (33h)-otherwise undesirable image will be displayed on the Panel.</p> <p>SSA [6:0] is based on line unit.</p> <p>SSA [6:0] = 00h, 01h, 02h, 03h, ... , 7Fh</p>													
Register Availability	<table border="1"> <thead> <tr> <th data-bbox="422 443 965 495">Status</th> <th data-bbox="965 443 1380 495">Availability</th> </tr> </thead> <tbody> <tr> <td data-bbox="422 495 965 546">Normal Mode On, Idle Mode Off, Sleep Out</td> <td data-bbox="965 495 1380 546">Yes</td> </tr> <tr> <td data-bbox="422 546 965 598">Normal Mode On, Idle Mode On, Sleep Out</td> <td data-bbox="965 546 1380 598">Yes</td> </tr> <tr> <td data-bbox="422 598 965 649">Partial Mode On, Idle Mode Off, Sleep Out</td> <td data-bbox="965 598 1380 649">No</td> </tr> <tr> <td data-bbox="422 649 965 701">Partial Mode On, Idle Mode On, Sleep Out</td> <td data-bbox="965 649 1380 701">No</td> </tr> <tr> <td data-bbox="422 701 965 752">Sleep In</td> <td data-bbox="965 701 1380 752">Yes</td> </tr> </tbody> </table>		Status	Availability	Normal Mode On, Idle Mode Off, Sleep Out	Yes	Normal Mode On, Idle Mode On, Sleep Out	Yes	Partial Mode On, Idle Mode Off, Sleep Out	No	Partial Mode On, Idle Mode On, Sleep Out	No	Sleep In	Yes
Status	Availability													
Normal Mode On, Idle Mode Off, Sleep Out	Yes													
Normal Mode On, Idle Mode On, Sleep Out	Yes													
Partial Mode On, Idle Mode Off, Sleep Out	No													
Partial Mode On, Idle Mode On, Sleep Out	No													
Sleep In	Yes													
Default	<table border="1"> <thead> <tr> <th data-bbox="422 779 901 831">Status</th> <th data-bbox="901 779 1380 831">Default Value (SSA[6:0])</th> </tr> </thead> <tbody> <tr> <td data-bbox="422 831 901 882">Power On Sequence</td> <td data-bbox="901 831 1380 882">00h</td> </tr> <tr> <td data-bbox="422 882 901 934">S/W Reset</td> <td data-bbox="901 882 1380 934">00h</td> </tr> <tr> <td data-bbox="422 934 901 985">H/W Reset</td> <td data-bbox="901 934 1380 985">00h</td> </tr> </tbody> </table>		Status	Default Value (SSA[6:0])	Power On Sequence	00h	S/W Reset	00h	H/W Reset	00h				
Status	Default Value (SSA[6:0])													
Power On Sequence	00h													
S/W Reset	00h													
H/W Reset	00h													
Flow Chart	See Vertical Scrolling Definition (33h) description.													

8.1.30. IDMOFF: Idle Mode Off (38h)

Command	A0	/RD	/WR	D7	D6	D5	D4	D3	D2	D1	D0	Hex
IDMOFF	0	1	0	0	0	1	1	1	0	0	0	(38h)
Parameter	No Parameter											

Description	<p>This command is used to recover from Idle mode on.</p> <p>There will be no abnormal visible effect on the display mode change transition.</p> <p>In the idle off mode,</p> <ol style="list-style-type: none"> LCD can display maximum 262,144 colors. Normal frame frequency is applied. 												
Restriction	This command has no effect when module is already in idle off mode.												
Register Availability	<table border="1"> <thead> <tr> <th>Status</th> <th>Availability</th> </tr> </thead> <tbody> <tr> <td>Normal Mode On, Idle Mode Off, Sleep Out</td> <td>Yes</td> </tr> <tr> <td>Normal Mode On, Idle Mode On, Sleep Out</td> <td>Yes</td> </tr> <tr> <td>Partial Mode On, Idle Mode Off, Sleep Out</td> <td>Yes</td> </tr> <tr> <td>Partial Mode On, Idle Mode On, Sleep Out</td> <td>Yes</td> </tr> <tr> <td>Sleep In</td> <td>Yes</td> </tr> </tbody> </table>	Status	Availability	Normal Mode On, Idle Mode Off, Sleep Out	Yes	Normal Mode On, Idle Mode On, Sleep Out	Yes	Partial Mode On, Idle Mode Off, Sleep Out	Yes	Partial Mode On, Idle Mode On, Sleep Out	Yes	Sleep In	Yes
Status	Availability												
Normal Mode On, Idle Mode Off, Sleep Out	Yes												
Normal Mode On, Idle Mode On, Sleep Out	Yes												
Partial Mode On, Idle Mode Off, Sleep Out	Yes												
Partial Mode On, Idle Mode On, Sleep Out	Yes												
Sleep In	Yes												
Default	<table border="1"> <thead> <tr> <th>Status</th> <th>Default Value</th> </tr> </thead> <tbody> <tr> <td>Power On Sequence</td> <td>Idle mode off</td> </tr> <tr> <td>S/W Reset</td> <td>Idle mode off</td> </tr> <tr> <td>H/W Reset</td> <td>Idle mode off</td> </tr> </tbody> </table>	Status	Default Value	Power On Sequence	Idle mode off	S/W Reset	Idle mode off	H/W Reset	Idle mode off				
Status	Default Value												
Power On Sequence	Idle mode off												
S/W Reset	Idle mode off												
H/W Reset	Idle mode off												
Flow Chart	<pre> graph TD A([Idle on mode]) --> B[/IDMOFF/] B --> C([Idle off mode]) </pre> <p>The flow chart illustrates the process of switching from 'Idle on mode' to 'Idle off mode'. It starts with an oval representing 'Idle on mode', followed by a downward arrow leading to a trapezoidal command box labeled 'IDMOFF'. A second downward arrow leads to another oval representing 'Idle off mode'. To the right of the flow chart is a legend enclosed in a dashed box, defining symbols: a trapezoid for 'Command', a parallelogram for 'Parameter', an oval for 'Display', a hexagon for 'Action', a rounded rectangle for 'Mode', and a wavy rectangle for 'Sequential transfer'.</p>												

8.1.31. IDMON: Idle Mode On (39h)

Command	A0	/RD	/WR	D7	D6	D5	D4	D3	D2	D1	D0	Hex
IDMON	0	1	0	0	0	1	1	1	0	0	1	(39h)
Parameter	No Parameter											

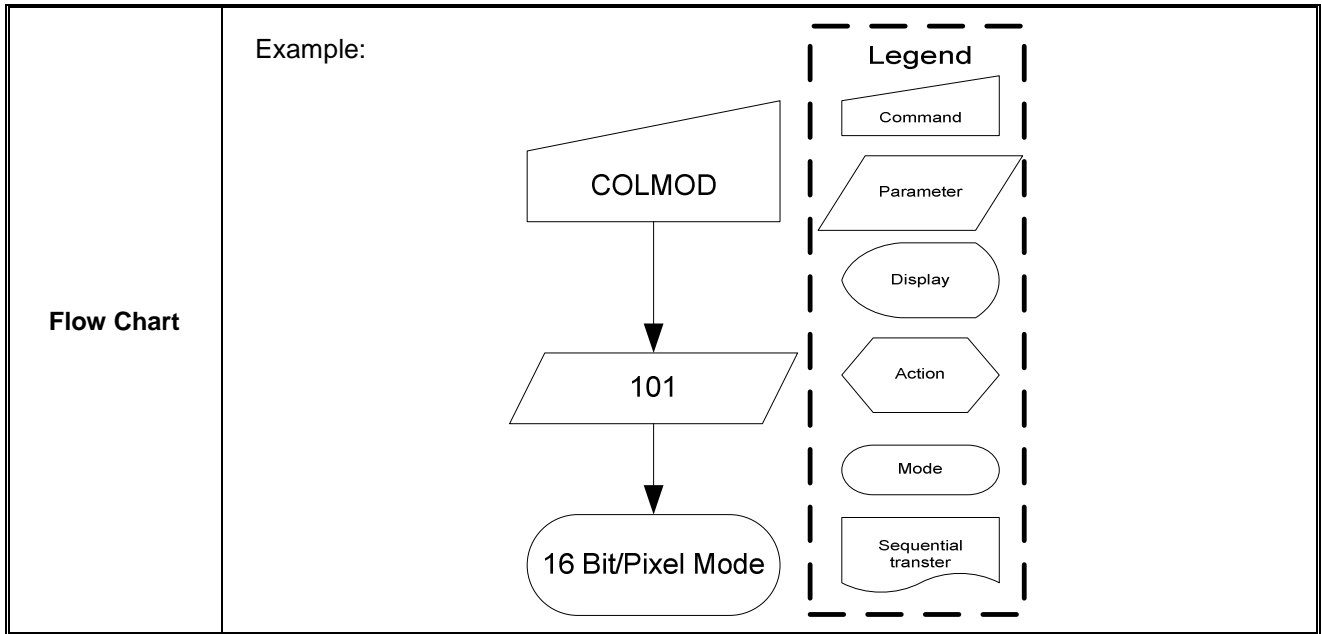
Description	<p>This command is used to enter into Idle mode on.</p> <p>There will be no abnormal visible effect on the display mode change transition. In the idle on mode,</p> <ol style="list-style-type: none"> Color expression is reduced. The primary and the secondary colors using MSB of each R, G and B in the Frame Memory, 8 color depth data is displayed. 8-Color mode frame frequency is applied. Exit from IDMON by Idle Mode Off (38h) command <p>(Example)</p> <div style="display: flex; justify-content: center; align-items: center;"> <div style="text-align: center;"> <p>Memory</p> </div> <div style="margin: 0 20px;">→</div> <div style="text-align: center;"> <p>Display</p> </div> </div> <p style="text-align: right;">"X": don't care</p> <table border="1" style="width: 100%; border-collapse: collapse;"> <thead> <tr> <th>Color</th> <th>R₅ R₄ R₃ R₂ R₁ R₀</th> <th>G₅ G₄ G₃ G₂ G₁ G₀</th> <th>B₅ B₄ B₃ B₂ B₁ B₀</th> </tr> </thead> <tbody> <tr> <td>Black</td> <td>0XXXXX</td> <td>0XXXXX</td> <td>0XXXXX</td> </tr> <tr> <td>Blue</td> <td>0XXXXX</td> <td>0XXXXX</td> <td>1XXXXX</td> </tr> <tr> <td>Red</td> <td>1XXXXX</td> <td>0XXXXX</td> <td>0XXXXX</td> </tr> <tr> <td>Magenta</td> <td>1XXXXX</td> <td>0XXXXX</td> <td>1XXXXX</td> </tr> <tr> <td>Green</td> <td>0XXXXX</td> <td>1XXXXX</td> <td>0XXXXX</td> </tr> <tr> <td>Cyan</td> <td>0XXXXX</td> <td>1XXXXX</td> <td>1XXXXX</td> </tr> <tr> <td>Yellow</td> <td>1XXXXX</td> <td>1XXXXX</td> <td>0XXXXX</td> </tr> <tr> <td>White</td> <td>1XXXXX</td> <td>1XXXXX</td> <td>1XXXXX</td> </tr> </tbody> </table>	Color	R ₅ R ₄ R ₃ R ₂ R ₁ R ₀	G ₅ G ₄ G ₃ G ₂ G ₁ G ₀	B ₅ B ₄ B ₃ B ₂ B ₁ B ₀	Black	0XXXXX	0XXXXX	0XXXXX	Blue	0XXXXX	0XXXXX	1XXXXX	Red	1XXXXX	0XXXXX	0XXXXX	Magenta	1XXXXX	0XXXXX	1XXXXX	Green	0XXXXX	1XXXXX	0XXXXX	Cyan	0XXXXX	1XXXXX	1XXXXX	Yellow	1XXXXX	1XXXXX	0XXXXX	White	1XXXXX	1XXXXX	1XXXXX
	Color	R ₅ R ₄ R ₃ R ₂ R ₁ R ₀	G ₅ G ₄ G ₃ G ₂ G ₁ G ₀	B ₅ B ₄ B ₃ B ₂ B ₁ B ₀																																	
	Black	0XXXXX	0XXXXX	0XXXXX																																	
Blue	0XXXXX	0XXXXX	1XXXXX																																		
Red	1XXXXX	0XXXXX	0XXXXX																																		
Magenta	1XXXXX	0XXXXX	1XXXXX																																		
Green	0XXXXX	1XXXXX	0XXXXX																																		
Cyan	0XXXXX	1XXXXX	1XXXXX																																		
Yellow	1XXXXX	1XXXXX	0XXXXX																																		
White	1XXXXX	1XXXXX	1XXXXX																																		
Restriction	This command has no effect when module is already in idle on mode.																																				
Register Availability	<table border="1" style="width: 100%; border-collapse: collapse;"> <thead> <tr> <th>Status</th> <th>Availability</th> </tr> </thead> <tbody> <tr> <td>Normal Mode On, Idle Mode Off, Sleep Out</td> <td>Yes</td> </tr> <tr> <td>Normal Mode On, Idle Mode On, Sleep Out</td> <td>Yes</td> </tr> <tr> <td>Partial Mode On, Idle Mode Off, Sleep Out</td> <td>Yes</td> </tr> <tr> <td>Partial Mode On, Idle Mode On, Sleep Out</td> <td>Yes</td> </tr> <tr> <td>Sleep In</td> <td>Yes</td> </tr> </tbody> </table>	Status	Availability	Normal Mode On, Idle Mode Off, Sleep Out	Yes	Normal Mode On, Idle Mode On, Sleep Out	Yes	Partial Mode On, Idle Mode Off, Sleep Out	Yes	Partial Mode On, Idle Mode On, Sleep Out	Yes	Sleep In	Yes																								
Status	Availability																																				
Normal Mode On, Idle Mode Off, Sleep Out	Yes																																				
Normal Mode On, Idle Mode On, Sleep Out	Yes																																				
Partial Mode On, Idle Mode Off, Sleep Out	Yes																																				
Partial Mode On, Idle Mode On, Sleep Out	Yes																																				
Sleep In	Yes																																				

Default	Status	Default Value
	Power On Sequence	Idle mode off
	S/W Reset	Idle mode off
	H/W Reset	Idle mode off
Flow Chart	<pre> graph TD A([Idle off mode]) --> B[/IDMON/] B --> C([Idle on mode]) </pre>	
	<div style="border: 1px dashed black; padding: 5px;"> <p>Legend</p> <ul style="list-style-type: none"> Command Parameter Display Action Mode Sequential transfer </div>	

8.1.32. COLMOD: Interface Pixel Format (3Ah)

Command	A0	/RD	/WR	D7	D6	D5	D4	D3	D2	D1	D0	Hex
COLMOD	0	1	0	0	0	1	1	1	0	1	0	(3Ah)
Parameter	1	1	0	-	-	-	-	-	P2	P1	P0	-

Description	<p>This command is used to define the format of RGB picture data, which is to be transferred via the MCU Interface. The formats are shown in the table:</p> <table border="1"> <thead> <tr> <th>Interface Format</th> <th>P2</th> <th>P1</th> <th>P0</th> </tr> </thead> <tbody> <tr> <td>Not Defined</td> <td>0</td> <td>0</td> <td>0</td> </tr> <tr> <td>Not Defined</td> <td>0</td> <td>0</td> <td>1</td> </tr> <tr> <td>Not Defined</td> <td>0</td> <td>1</td> <td>0</td> </tr> <tr> <td>12Bit/Pixel (Type A)</td> <td>0</td> <td>1</td> <td>1</td> </tr> <tr> <td>12Bit/Pixel (Type B)</td> <td>1</td> <td>0</td> <td>0</td> </tr> <tr> <td>16Bit/Pixel</td> <td>1</td> <td>0</td> <td>1</td> </tr> <tr> <td>Not Defined</td> <td>1</td> <td>1</td> <td>0</td> </tr> <tr> <td>Not Defined</td> <td>1</td> <td>1</td> <td>1</td> </tr> </tbody> </table>		Interface Format	P2	P1	P0	Not Defined	0	0	0	Not Defined	0	0	1	Not Defined	0	1	0	12Bit/Pixel (Type A)	0	1	1	12Bit/Pixel (Type B)	1	0	0	16Bit/Pixel	1	0	1	Not Defined	1	1	0	Not Defined	1	1	1
	Interface Format	P2	P1	P0																																		
Not Defined	0	0	0																																			
Not Defined	0	0	1																																			
Not Defined	0	1	0																																			
12Bit/Pixel (Type A)	0	1	1																																			
12Bit/Pixel (Type B)	1	0	0																																			
16Bit/Pixel	1	0	1																																			
Not Defined	1	1	0																																			
Not Defined	1	1	1																																			
Restriction	There is no visible effect until the Frame Memory is written to.																																					
Register Availability	<table border="1"> <thead> <tr> <th>Status</th> <th>Availability</th> </tr> </thead> <tbody> <tr> <td>Normal Mode On, Idle Mode Off, Sleep Out</td> <td>Yes</td> </tr> <tr> <td>Normal Mode On, Idle Mode On, Sleep Out</td> <td>Yes</td> </tr> <tr> <td>Partial Mode On, Idle Mode Off, Sleep Out</td> <td>Yes</td> </tr> <tr> <td>Partial Mode On, Idle Mode On, Sleep Out</td> <td>Yes</td> </tr> <tr> <td>Sleep In</td> <td>Yes</td> </tr> </tbody> </table>		Status	Availability	Normal Mode On, Idle Mode Off, Sleep Out	Yes	Normal Mode On, Idle Mode On, Sleep Out	Yes	Partial Mode On, Idle Mode Off, Sleep Out	Yes	Partial Mode On, Idle Mode On, Sleep Out	Yes	Sleep In	Yes																								
	Status	Availability																																				
Normal Mode On, Idle Mode Off, Sleep Out	Yes																																					
Normal Mode On, Idle Mode On, Sleep Out	Yes																																					
Partial Mode On, Idle Mode Off, Sleep Out	Yes																																					
Partial Mode On, Idle Mode On, Sleep Out	Yes																																					
Sleep In	Yes																																					
Default	<table border="1"> <thead> <tr> <th>Status</th> <th>Default Value</th> </tr> </thead> <tbody> <tr> <td>Power On Sequence</td> <td>05h (16Bit/Pixel)</td> </tr> <tr> <td>S/W Reset</td> <td>No Change</td> </tr> <tr> <td>H/W Reset</td> <td>05h (16Bit/Pixel)</td> </tr> </tbody> </table>		Status	Default Value	Power On Sequence	05h (16Bit/Pixel)	S/W Reset	No Change	H/W Reset	05h (16Bit/Pixel)																												
Status	Default Value																																					
Power On Sequence	05h (16Bit/Pixel)																																					
S/W Reset	No Change																																					
H/W Reset	05h (16Bit/Pixel)																																					



8.1.33. RDID: Read ID Value (DAh)

NOTE: "-" Don't care

Command	A0	/RD	/WR	D7	D6	D5	D4	D3	D2	D1	D0	Hex
RDID1	0	1	0	1	1	0	1	1	0	1	0	(DAh)
Dummy Read	1	0	1	-	-	-	-	-	-	-	-	-
2nd parameter	1	0	1	0	0	0	0	0	0	ID1	ID0	-

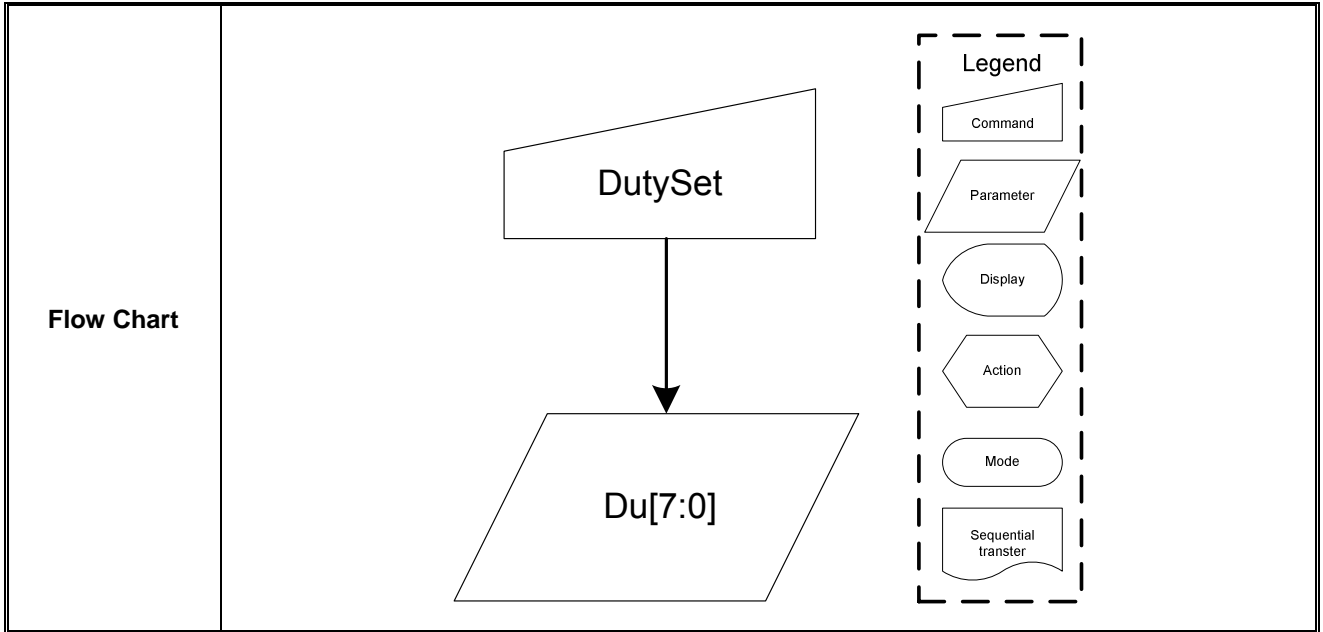
Description	This read byte returns 8-bit LCD module's manufacturer ID D1-D0 (ID1 to ID0): LCD module's manufacturer ID.													
Restriction														
Register Availability	<table border="1"> <thead> <tr> <th>Status</th> <th>Availability</th> </tr> </thead> <tbody> <tr> <td>Normal Mode On, Idle Mode Off, Sleep Out</td> <td>Yes</td> </tr> <tr> <td>Normal Mode On, Idle Mode On, Sleep Out</td> <td>Yes</td> </tr> <tr> <td>Partial Mode On, Idle Mode Off, Sleep Out</td> <td>Yes</td> </tr> <tr> <td>Partial Mode On, Idle Mode On, Sleep Out</td> <td>Yes</td> </tr> <tr> <td>Sleep In</td> <td>Yes</td> </tr> </tbody> </table>		Status	Availability	Normal Mode On, Idle Mode Off, Sleep Out	Yes	Normal Mode On, Idle Mode On, Sleep Out	Yes	Partial Mode On, Idle Mode Off, Sleep Out	Yes	Partial Mode On, Idle Mode On, Sleep Out	Yes	Sleep In	Yes
Status	Availability													
Normal Mode On, Idle Mode Off, Sleep Out	Yes													
Normal Mode On, Idle Mode On, Sleep Out	Yes													
Partial Mode On, Idle Mode Off, Sleep Out	Yes													
Partial Mode On, Idle Mode On, Sleep Out	Yes													
Sleep In	Yes													
Default	<table border="1"> <thead> <tr> <th>Status</th> <th>Default Value</th> </tr> </thead> <tbody> <tr> <td>Power On Sequence</td> <td>00h</td> </tr> <tr> <td>S/W Reset</td> <td>00h</td> </tr> <tr> <td>H/W Reset</td> <td>00h</td> </tr> </tbody> </table>		Status	Default Value	Power On Sequence	00h	S/W Reset	00h	H/W Reset	00h				
Status	Default Value													
Power On Sequence	00h													
S/W Reset	00h													
H/W Reset	00h													
Flow Chart	<div style="display: flex; justify-content: space-around;"> <div style="text-align: center;"> <p>Serial I/F Mode</p> </div> <div style="text-align: center;"> <p>Parallel I/F Mode</p> </div> </div> <div style="border: 1px dashed black; padding: 5px; margin-top: 10px;"> <p>Legend</p> <ul style="list-style-type: none"> Command Parameter Display Action Mode Sequential transfer </div>													

8.1.34. DutySet: Display Duty setting (B0H)

NOTE: "-" Don't care

Command	A0	/RD	/WR	D7	D6	D5	D4	D3	D2	D1	D0	Hex
DutySet	0	1	0	1	0	1	1	0	0	0	0	(B0h)
Parameter	1	1	0	Du7	Du6	Du5	Du4	Du3	Du2	Du1	Du0	-

Description	This command is used to set display duty. Command set = display duty numbers - 1. Example:									
	Duty	Du7	Du6	Du5	Du4	Du3	Du2	Du1	Du0	Command set= Display duty numbers-1
	Example: 1/128 duty	0	1	1	1	1	1	1	1	128-1=127
Restriction	Display duty must > 4 (1/4 duty)									
Register Availability	Status					Availability				
	Normal Mode On, Idle Mode Off, Sleep Out					Yes				
	Normal Mode On, Idle Mode On, Sleep Out					Yes				
	Partial Mode On, Idle Mode Off, Sleep Out					Yes				
	Partial Mode On, Idle Mode On, Sleep Out					Yes				
	Sleep In					Yes				
Default	Status					Default Value (Du[6:0])				
	Power On Sequence					0111111b (7Fh)				
	S/W Reset					0111111b (7Fh)				
	H/W Reset					0111111b (7Fh)				

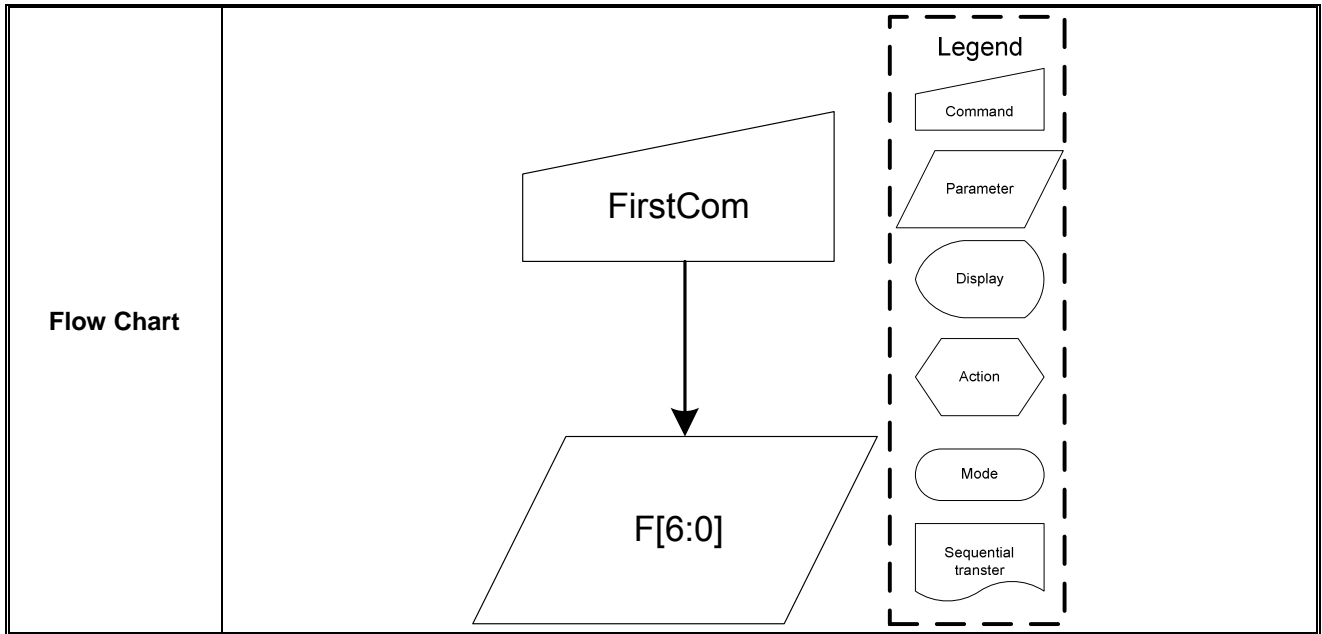


8.1.35. FirstCom: First Com. Page address (B1H)

NOTE: “-“ Don't care

Command	A0	/RD	/WR	D7	D6	D5	D4	D3	D2	D1	D0	Hex
FirstCom	0	1	0	1	0	1	1	0	0	0	1	(B1h)
Parameter	1	1	0	0	F6	F5	F4	F3	F2	F1	F0	-

Description	<p>This command defines the first output COM number that mapping to the RAM page address 0. For detail setting value, please see the table as below.</p> <table border="1"> <thead> <tr> <th>F6</th> <th>F5</th> <th>F4</th> <th>F3</th> <th>F2</th> <th>F1</th> <th>F0</th> <th>Line address</th> </tr> </thead> <tbody> <tr> <td>0</td> <td>0</td> <td>0</td> <td>0</td> <td></td> <td></td> <td>0</td> <td>0</td> </tr> <tr> <td>0</td> <td>0</td> <td>0</td> <td>0</td> <td></td> <td></td> <td>1</td> <td>1</td> </tr> <tr> <td>0</td> <td>0</td> <td>0</td> <td>1</td> <td></td> <td></td> <td>0</td> <td>2</td> </tr> <tr> <td>0</td> <td>0</td> <td>0</td> <td>1</td> <td></td> <td></td> <td>1</td> <td>3</td> </tr> <tr> <td>:</td> <td>:</td> <td>:</td> <td>:</td> <td></td> <td></td> <td>:</td> <td>:</td> </tr> <tr> <td>1</td> <td>1</td> <td>1</td> <td>1</td> <td>1</td> <td>1</td> <td>1</td> <td>127</td> </tr> </tbody> </table> <p>Example: If FirstCom=8, common 8 would output the data of RAM page address 0.</p>		F6	F5	F4	F3	F2	F1	F0	Line address	0	0	0	0			0	0	0	0	0	0			1	1	0	0	0	1			0	2	0	0	0	1			1	3	:	:	:	:			:	:	1	1	1	1	1	1	1	127
	F6	F5	F4	F3	F2	F1	F0	Line address																																																		
0	0	0	0			0	0																																																			
0	0	0	0			1	1																																																			
0	0	0	1			0	2																																																			
0	0	0	1			1	3																																																			
:	:	:	:			:	:																																																			
1	1	1	1	1	1	1	127																																																			
Restriction																																																										
Register Availability	<table border="1"> <thead> <tr> <th>Status</th> <th>Availability</th> </tr> </thead> <tbody> <tr> <td>Normal Mode On, Idle Mode Off, Sleep Out</td> <td>Yes</td> </tr> <tr> <td>Normal Mode On, Idle Mode On, Sleep Out</td> <td>Yes</td> </tr> <tr> <td>Partial Mode On, Idle Mode Off, Sleep Out</td> <td>Yes</td> </tr> <tr> <td>Partial Mode On, Idle Mode On, Sleep Out</td> <td>Yes</td> </tr> <tr> <td>Sleep In</td> <td>Yes</td> </tr> </tbody> </table>		Status	Availability	Normal Mode On, Idle Mode Off, Sleep Out	Yes	Normal Mode On, Idle Mode On, Sleep Out	Yes	Partial Mode On, Idle Mode Off, Sleep Out	Yes	Partial Mode On, Idle Mode On, Sleep Out	Yes	Sleep In	Yes																																												
	Status	Availability																																																								
	Normal Mode On, Idle Mode Off, Sleep Out	Yes																																																								
	Normal Mode On, Idle Mode On, Sleep Out	Yes																																																								
	Partial Mode On, Idle Mode Off, Sleep Out	Yes																																																								
Partial Mode On, Idle Mode On, Sleep Out	Yes																																																									
Sleep In	Yes																																																									
Default	<table border="1"> <thead> <tr> <th>Status</th> <th>Default Value (F[6:0])</th> </tr> </thead> <tbody> <tr> <td>Power On Sequence</td> <td>00h</td> </tr> <tr> <td>S/W Reset</td> <td>00h</td> </tr> <tr> <td>H/W Reset</td> <td>00h</td> </tr> </tbody> </table>		Status	Default Value (F[6:0])	Power On Sequence	00h	S/W Reset	00h	H/W Reset	00h																																																
	Status	Default Value (F[6:0])																																																								
	Power On Sequence	00h																																																								
S/W Reset	00h																																																									
H/W Reset	00h																																																									



8.1.36. OscDiv: FOSC Divider (B3H)

NOTE: "-" Don't care

Command	A0	/RD	/WR	D7	D6	D5	D4	D3	D2	D1	D0	Hex
OscDiv	0	1	0	1	0	1	1	0	0	1	1	(B3h)
Parameter	1	1	0	-	-	-	-	-	-	CLD1	CLD0	-

Description	This command is used to specify the Fosc dividing ratio. CLD1, CLD0: CL dividing ratio. They are used to change number of dividing stages of internal clock.															
	<table border="1"> <thead> <tr> <th>CLD1</th> <th>CLD0</th> <th>Fosc dividing ratio</th> </tr> </thead> <tbody> <tr> <td>0</td> <td>0</td> <td>Not divide</td> </tr> <tr> <td>0</td> <td>1</td> <td>2 divisions</td> </tr> <tr> <td>1</td> <td>0</td> <td>4 divisions</td> </tr> <tr> <td>1</td> <td>1</td> <td>8 divisions</td> </tr> </tbody> </table>		CLD1	CLD0	Fosc dividing ratio	0	0	Not divide	0	1	2 divisions	1	0	4 divisions	1	1
CLD1	CLD0	Fosc dividing ratio														
0	0	Not divide														
0	1	2 divisions														
1	0	4 divisions														
1	1	8 divisions														
Restriction																
Register Availability	<table border="1"> <thead> <tr> <th>Status</th> <th>Availability</th> </tr> </thead> <tbody> <tr> <td>Normal Mode On, Idle Mode Off, Sleep Out</td> <td>Yes</td> </tr> <tr> <td>Normal Mode On, Idle Mode On, Sleep Out</td> <td>Yes</td> </tr> <tr> <td>Partial Mode On, Idle Mode Off, Sleep Out</td> <td>Yes</td> </tr> <tr> <td>Partial Mode On, Idle Mode On, Sleep Out</td> <td>Yes</td> </tr> <tr> <td>Sleep In</td> <td>Yes</td> </tr> </tbody> </table>		Status	Availability	Normal Mode On, Idle Mode Off, Sleep Out	Yes	Normal Mode On, Idle Mode On, Sleep Out	Yes	Partial Mode On, Idle Mode Off, Sleep Out	Yes	Partial Mode On, Idle Mode On, Sleep Out	Yes	Sleep In	Yes		
	Status	Availability														
	Normal Mode On, Idle Mode Off, Sleep Out	Yes														
	Normal Mode On, Idle Mode On, Sleep Out	Yes														
	Partial Mode On, Idle Mode Off, Sleep Out	Yes														
Partial Mode On, Idle Mode On, Sleep Out	Yes															
Sleep In	Yes															
Default	<table border="1"> <thead> <tr> <th>Status</th> <th>Default Value (CLD[0:1])</th> </tr> </thead> <tbody> <tr> <td>Power On Sequence</td> <td>00b</td> </tr> <tr> <td>S/W Reset</td> <td>00b</td> </tr> <tr> <td>H/W Reset</td> <td>00b</td> </tr> </tbody> </table>		Status	Default Value (CLD[0:1])	Power On Sequence	00b	S/W Reset	00b	H/W Reset	00b						
	Status	Default Value (CLD[0:1])														
	Power On Sequence	00b														
S/W Reset	00b															
H/W Reset	00b															
Flow Chart																

8.1.37. NLInvSet: N-Line control (B5H)

NOTE: "-" Don't care

Command	A0	/RD	/WR	D7	D6	D5	D4	D3	D2	D1	D0	Hex
NLInvSet	0	1	0	1	0	1	1	0	1	0	1	(B5h)
Parameter	1	1	0	M	0	0	N4	N3	N2	N1	N0	-

Description	<p>This command is used to set the inverted line number with range of 2 to (duty-1) to improve display quality. When M=0, inversion occurs in every frame; when M=1, inversion is independent from frames. If N[6:0]=0, N-line inversion function is disable.</p> <p>Line inversion numbers=N[6:0] +1.</p> <p>Example: If N[6:0]=7, inversion occurs per 8 line.</p>														
Restriction															
Register Availability	<table border="1"> <thead> <tr> <th>Status</th> <th>Availability</th> </tr> </thead> <tbody> <tr> <td>Normal Mode On, Idle Mode Off, Sleep Out</td> <td>Yes</td> </tr> <tr> <td>Normal Mode On, Idle Mode On, Sleep Out</td> <td>Yes</td> </tr> <tr> <td>Partial Mode On, Idle Mode Off, Sleep Out</td> <td>Yes</td> </tr> <tr> <td>Partial Mode On, Idle Mode On, Sleep Out</td> <td>Yes</td> </tr> <tr> <td>Sleep In</td> <td>Yes</td> </tr> </tbody> </table>	Status	Availability	Normal Mode On, Idle Mode Off, Sleep Out	Yes	Normal Mode On, Idle Mode On, Sleep Out	Yes	Partial Mode On, Idle Mode Off, Sleep Out	Yes	Partial Mode On, Idle Mode On, Sleep Out	Yes	Sleep In	Yes		
Status	Availability														
Normal Mode On, Idle Mode Off, Sleep Out	Yes														
Normal Mode On, Idle Mode On, Sleep Out	Yes														
Partial Mode On, Idle Mode Off, Sleep Out	Yes														
Partial Mode On, Idle Mode On, Sleep Out	Yes														
Sleep In	Yes														
Default	<table border="1"> <thead> <tr> <th rowspan="2">Status</th> <th colspan="2">Default Value</th> </tr> <tr> <th>M</th> <th>N[4:0]</th> </tr> </thead> <tbody> <tr> <td>Power On Sequence</td> <td>0b</td> <td>00000b</td> </tr> <tr> <td>S/W Reset</td> <td>0b</td> <td>00000b</td> </tr> <tr> <td>H/W Reset</td> <td>0b</td> <td>00000b</td> </tr> </tbody> </table>	Status	Default Value		M	N[4:0]	Power On Sequence	0b	00000b	S/W Reset	0b	00000b	H/W Reset	0b	00000b
Status	Default Value														
	M	N[4:0]													
Power On Sequence	0b	00000b													
S/W Reset	0b	00000b													
H/W Reset	0b	00000b													
Flow Chart	<pre> graph TD NLInvSet[Command] --> M_N[M & N[4:0] Parameter] </pre> <p>The flow chart shows the NLInvSet command (represented by a rectangle) leading to the M & N[4:0] parameter (represented by a parallelogram). A legend on the right defines the symbols used: Command (rectangle), Parameter (parallelogram), Display (oval), Action (hexagon), Mode (rounded rectangle), and Sequential transfer (wavy line).</p>														

8.1.38. ComScanDir: Com/Seg Scan Direction for glass layout (B7H)

NOTE: "-" Don't care

Command	A0	/RD	/WR	D7	D6	D5	D4	D3	D2	D1	D0	Hex
ComScanDir	0	1	0	1	0	1	1	0	1	1	1	(B7h)
Parameter	1	1	0	0	SMX	0	0	SBGR	0	0	0	-

Description	Function		0	1
	SMX	Inverse the MX setting	Keep MX	Inverse MX
	SBGR	Inverse the BGR setting	Keep BGR	Inverse BGR
Restriction				
Register Availability	Status		Availability	
	Normal Mode On, Idle Mode Off, Sleep Out		Yes	
	Normal Mode On, Idle Mode On, Sleep Out		Yes	
	Partial Mode On, Idle Mode Off, Sleep Out		Yes	
	Partial Mode On, Idle Mode On, Sleep Out		Yes	
	Sleep In		Yes	
Default	Status		Default Value	
	Power On Sequence		40h	
	S/W Reset		40h	
	H/W Reset		40h	
Flow Chart	<pre> graph TD A[ComScanDir] --> B[/SMX & SBGR/] </pre>			
	<p>Legend</p> <ul style="list-style-type: none"> Command Parameter Display Action Mode Sequential transfer 			

8.1.39. RMWIN: Read Modify Write control in (B8H)

NOTE: "-- Don't care

Command	A0	/RD	/WR	D7	D6	D5	D4	D3	D2	D1	D0	Hex
RMWIN	0	1	0	1	0	1	1	1	0	0	0	(B8h)
Parameter	No Parameter											

Description	Read modify write control IN													
Restriction														
Register Availability	<table border="1"> <thead> <tr> <th>Status</th> <th>Availability</th> </tr> </thead> <tbody> <tr> <td>Normal Mode On, Idle Mode Off, Sleep Out</td> <td>Yes</td> </tr> <tr> <td>Normal Mode On, Idle Mode On, Sleep Out</td> <td>Yes</td> </tr> <tr> <td>Partial Mode On, Idle Mode Off, Sleep Out</td> <td>Yes</td> </tr> <tr> <td>Partial Mode On, Idle Mode On, Sleep Out</td> <td>Yes</td> </tr> <tr> <td>Sleep In</td> <td>Yes</td> </tr> </tbody> </table>		Status	Availability	Normal Mode On, Idle Mode Off, Sleep Out	Yes	Normal Mode On, Idle Mode On, Sleep Out	Yes	Partial Mode On, Idle Mode Off, Sleep Out	Yes	Partial Mode On, Idle Mode On, Sleep Out	Yes	Sleep In	Yes
	Status	Availability												
	Normal Mode On, Idle Mode Off, Sleep Out	Yes												
	Normal Mode On, Idle Mode On, Sleep Out	Yes												
	Partial Mode On, Idle Mode Off, Sleep Out	Yes												
	Partial Mode On, Idle Mode On, Sleep Out	Yes												
Sleep In	Yes													
Default	<table border="1"> <thead> <tr> <th>Status</th> <th>Default Value</th> </tr> </thead> <tbody> <tr> <td>Power On Sequence</td> <td>--</td> </tr> <tr> <td>S/W Reset</td> <td>--</td> </tr> <tr> <td>H/W Reset</td> <td>--</td> </tr> </tbody> </table>		Status	Default Value	Power On Sequence	--	S/W Reset	--	H/W Reset	--				
	Status	Default Value												
	Power On Sequence	--												
	S/W Reset	--												
H/W Reset	--													

8.1.40. RMWOUT: Read Modify Write control out (B9H)

NOTE: "-- Don't care

Command	A0	/RD	/WR	D7	D6	D5	D4	D3	D2	D1	D0	Hex
RMWOUT	0	1	0	1	0	1	1	1	0	0	1	(B9h)
Parameter	No Parameter											

Description	Read modify write control out													
Restriction														
Register Availability	<table border="1"> <thead> <tr> <th>Status</th> <th>Availability</th> </tr> </thead> <tbody> <tr> <td>Normal Mode On, Idle Mode Off, Sleep Out</td> <td>Yes</td> </tr> <tr> <td>Normal Mode On, Idle Mode On, Sleep Out</td> <td>Yes</td> </tr> <tr> <td>Partial Mode On, Idle Mode Off, Sleep Out</td> <td>Yes</td> </tr> <tr> <td>Partial Mode On, Idle Mode On, Sleep Out</td> <td>Yes</td> </tr> <tr> <td>Sleep In</td> <td>Yes</td> </tr> </tbody> </table>		Status	Availability	Normal Mode On, Idle Mode Off, Sleep Out	Yes	Normal Mode On, Idle Mode On, Sleep Out	Yes	Partial Mode On, Idle Mode Off, Sleep Out	Yes	Partial Mode On, Idle Mode On, Sleep Out	Yes	Sleep In	Yes
	Status	Availability												
	Normal Mode On, Idle Mode Off, Sleep Out	Yes												
	Normal Mode On, Idle Mode On, Sleep Out	Yes												
	Partial Mode On, Idle Mode Off, Sleep Out	Yes												
	Partial Mode On, Idle Mode On, Sleep Out	Yes												
Sleep In	Yes													
Default	<table border="1"> <thead> <tr> <th>Status</th> <th>Default Value</th> </tr> </thead> <tbody> <tr> <td>Power On Sequence</td> <td>--</td> </tr> <tr> <td>S/W Reset</td> <td>--</td> </tr> <tr> <td>H/W Reset</td> <td>--</td> </tr> </tbody> </table>		Status	Default Value	Power On Sequence	--	S/W Reset	--	H/W Reset	--				
	Status	Default Value												
	Power On Sequence	--												
	S/W Reset	--												
H/W Reset	--													

8.1.41. DispCompStep: Display Compensation Step (BDH)

NOTE: "-" Don't care

Command	A0	/RD	/WR	D7	D6	D5	D4	D3	D2	D1	D0	Hex
RMWOUT	0	1	0	1	0	1	1	1	1	0	1	(BDh)
Parameter	1	1	0	0	0	0	0	0	Step2	Step1	Step0	-

Description	The command is used to program the optimum LCD display quality.																																					
Restriction	<table border="1"> <thead> <tr> <th>Step2</th> <th>Step1</th> <th>Step0</th> <th>STEP</th> </tr> </thead> <tbody> <tr><td>0</td><td>0</td><td>0</td><td>1</td></tr> <tr><td>0</td><td>0</td><td>1</td><td>2</td></tr> <tr><td>0</td><td>1</td><td>0</td><td>3</td></tr> <tr><td>0</td><td>1</td><td>1</td><td>4</td></tr> <tr><td>1</td><td>0</td><td>0</td><td>5</td></tr> <tr><td>1</td><td>0</td><td>1</td><td>6</td></tr> <tr><td>1</td><td>1</td><td>0</td><td>7</td></tr> <tr><td>1</td><td>1</td><td>1</td><td>8</td></tr> </tbody> </table>		Step2	Step1	Step0	STEP	0	0	0	1	0	0	1	2	0	1	0	3	0	1	1	4	1	0	0	5	1	0	1	6	1	1	0	7	1	1	1	8
Step2	Step1	Step0	STEP																																			
0	0	0	1																																			
0	0	1	2																																			
0	1	0	3																																			
0	1	1	4																																			
1	0	0	5																																			
1	0	1	6																																			
1	1	0	7																																			
1	1	1	8																																			
Register Availability	<table border="1"> <thead> <tr> <th>Status</th> <th>Availability</th> </tr> </thead> <tbody> <tr> <td>Normal Mode On, Idle Mode Off, Sleep Out</td> <td>Yes</td> </tr> <tr> <td>Normal Mode On, Idle Mode On, Sleep Out</td> <td>Yes</td> </tr> <tr> <td>Partial Mode On, Idle Mode Off, Sleep Out</td> <td>Yes</td> </tr> <tr> <td>Partial Mode On, Idle Mode On, Sleep Out</td> <td>Yes</td> </tr> <tr> <td>Sleep In</td> <td>Yes</td> </tr> </tbody> </table>		Status	Availability	Normal Mode On, Idle Mode Off, Sleep Out	Yes	Normal Mode On, Idle Mode On, Sleep Out	Yes	Partial Mode On, Idle Mode Off, Sleep Out	Yes	Partial Mode On, Idle Mode On, Sleep Out	Yes	Sleep In	Yes																								
Status	Availability																																					
Normal Mode On, Idle Mode Off, Sleep Out	Yes																																					
Normal Mode On, Idle Mode On, Sleep Out	Yes																																					
Partial Mode On, Idle Mode Off, Sleep Out	Yes																																					
Partial Mode On, Idle Mode On, Sleep Out	Yes																																					
Sleep In	Yes																																					
Default	<table border="1"> <thead> <tr> <th>Status</th> <th>Default Value</th> </tr> </thead> <tbody> <tr> <td>Power On Sequence</td> <td>04h</td> </tr> <tr> <td>S/W Reset</td> <td>04h</td> </tr> <tr> <td>H/W Reset</td> <td>04h</td> </tr> </tbody> </table>		Status	Default Value	Power On Sequence	04h	S/W Reset	04h	H/W Reset	04h																												
Status	Default Value																																					
Power On Sequence	04h																																					
S/W Reset	04h																																					
H/W Reset	04h																																					

8.1.42. VopSet: Vop set (C0H)

NOTE: "-" Don't care

Command	A0	/RD	/WR	D7	D6	D5	D4	D3	D2	D1	D0	Hex
VopSet	0	1	0	1	1	0	0	0	0	0	0	(C0h)
1 st parameter	1	1	0	Vop7	Vop6	Vop5	Vop4	Vop3	Vop2	Vop1	Vop0	-
2 nd parameter	1	1	0	-	-	-	-	-	-	-	Vop8	

Description	The command is used to program the optimum LCD supply voltage V0. Please see Section 7.9 for reference.															
Restriction																
Register Availability	<table border="1"> <thead> <tr> <th>Status</th> <th>Availability</th> </tr> </thead> <tbody> <tr> <td>Normal Mode On, Idle Mode Off, Sleep Out</td> <td>Yes</td> </tr> <tr> <td>Normal Mode On, Idle Mode On, Sleep Out</td> <td>Yes</td> </tr> <tr> <td>Partial Mode On, Idle Mode Off, Sleep Out</td> <td>Yes</td> </tr> <tr> <td>Partial Mode On, Idle Mode On, Sleep Out</td> <td>Yes</td> </tr> <tr> <td>Sleep In</td> <td>Yes</td> </tr> </tbody> </table>		Status	Availability	Normal Mode On, Idle Mode Off, Sleep Out	Yes	Normal Mode On, Idle Mode On, Sleep Out	Yes	Partial Mode On, Idle Mode Off, Sleep Out	Yes	Partial Mode On, Idle Mode On, Sleep Out	Yes	Sleep In	Yes		
Status	Availability															
Normal Mode On, Idle Mode Off, Sleep Out	Yes															
Normal Mode On, Idle Mode On, Sleep Out	Yes															
Partial Mode On, Idle Mode Off, Sleep Out	Yes															
Partial Mode On, Idle Mode On, Sleep Out	Yes															
Sleep In	Yes															
Default	<table border="1"> <thead> <tr> <th rowspan="2">Status</th> <th colspan="2">Default Value (Vop=12V)</th> </tr> <tr> <th>Vop8</th> <th>Vop[7:0]</th> </tr> </thead> <tbody> <tr> <td>Power On Sequence</td> <td>0</td> <td>11010010b (D2h)</td> </tr> <tr> <td>S/W Reset</td> <td>0</td> <td>11010010b (D2h)</td> </tr> <tr> <td>H/W Reset</td> <td>0</td> <td>11010010b (D2h)</td> </tr> </tbody> </table>		Status	Default Value (Vop=12V)		Vop8	Vop[7:0]	Power On Sequence	0	11010010b (D2h)	S/W Reset	0	11010010b (D2h)	H/W Reset	0	11010010b (D2h)
Status	Default Value (Vop=12V)															
	Vop8	Vop[7:0]														
Power On Sequence	0	11010010b (D2h)														
S/W Reset	0	11010010b (D2h)														
H/W Reset	0	11010010b (D2h)														
Flow Chart	<p>The flow chart shows a trapezoidal shape labeled 'VopSet' with an arrow pointing down to a parallelogram labeled '1st & 2nd parameter Vop[8:0]'. To the right is a legend box containing: Command (trapezoid), Parameter (parallelogram), Display (oval), Action (hexagon), Mode (rounded rectangle), and Sequential transfer (wavy rectangle).</p>															

8.1.43. VopOffsetInc: Vop Increase 1 (C1H)

NOTE: “-“ Don't care

Command	A0	/RD	/WR	D7	D6	D5	D4	D3	D2	D1	D0	Hex
VopOffsetInc	0	1	0	1	1	0	0	0	0	0	1	(C1h)

<p>Description</p>	<p>With the VopOffsetInc and VopOffsetDec command the VLCD voltage and therewith the contrast of the LCD can be adjusted. This command increases the value of Vop offset register by 1. If you set the electronic control value to 1111111, the control value is set to 0000000 after this command has been executed.</p>												
<p>Restriction</p>													
<p>Register Availability</p>	<table border="1"> <thead> <tr> <th>Status</th> <th>Availability</th> </tr> </thead> <tbody> <tr> <td>Normal Mode On, Idle Mode Off, Sleep Out</td> <td>Yes</td> </tr> <tr> <td>Normal Mode On, Idle Mode On, Sleep Out</td> <td>Yes</td> </tr> <tr> <td>Partial Mode On, Idle Mode Off, Sleep Out</td> <td>Yes</td> </tr> <tr> <td>Partial Mode On, Idle Mode On, Sleep Out</td> <td>Yes</td> </tr> <tr> <td>Sleep In</td> <td>Yes</td> </tr> </tbody> </table>	Status	Availability	Normal Mode On, Idle Mode Off, Sleep Out	Yes	Normal Mode On, Idle Mode On, Sleep Out	Yes	Partial Mode On, Idle Mode Off, Sleep Out	Yes	Partial Mode On, Idle Mode On, Sleep Out	Yes	Sleep In	Yes
Status	Availability												
Normal Mode On, Idle Mode Off, Sleep Out	Yes												
Normal Mode On, Idle Mode On, Sleep Out	Yes												
Partial Mode On, Idle Mode Off, Sleep Out	Yes												
Partial Mode On, Idle Mode On, Sleep Out	Yes												
Sleep In	Yes												
<p>Default</p>	<table border="1"> <thead> <tr> <th>Status</th> <th>Default Value</th> </tr> </thead> <tbody> <tr> <td>Power On Sequence</td> <td>--</td> </tr> <tr> <td>S/W Reset</td> <td>--</td> </tr> <tr> <td>H/W Reset</td> <td>--</td> </tr> </tbody> </table>	Status	Default Value	Power On Sequence	--	S/W Reset	--	H/W Reset	--				
Status	Default Value												
Power On Sequence	--												
S/W Reset	--												
H/W Reset	--												
<p>Flow Chart</p>	<pre> graph TD A[VopOffsetInc] --> B{{Vop offset register = Vop offset register + 1}} </pre> <p>Legend</p> <ul style="list-style-type: none"> Command Parameter Display Action Mode Sequential transfer 												

8.1.44. VopOffsetDec: Vop Decrease 1 (C2H)

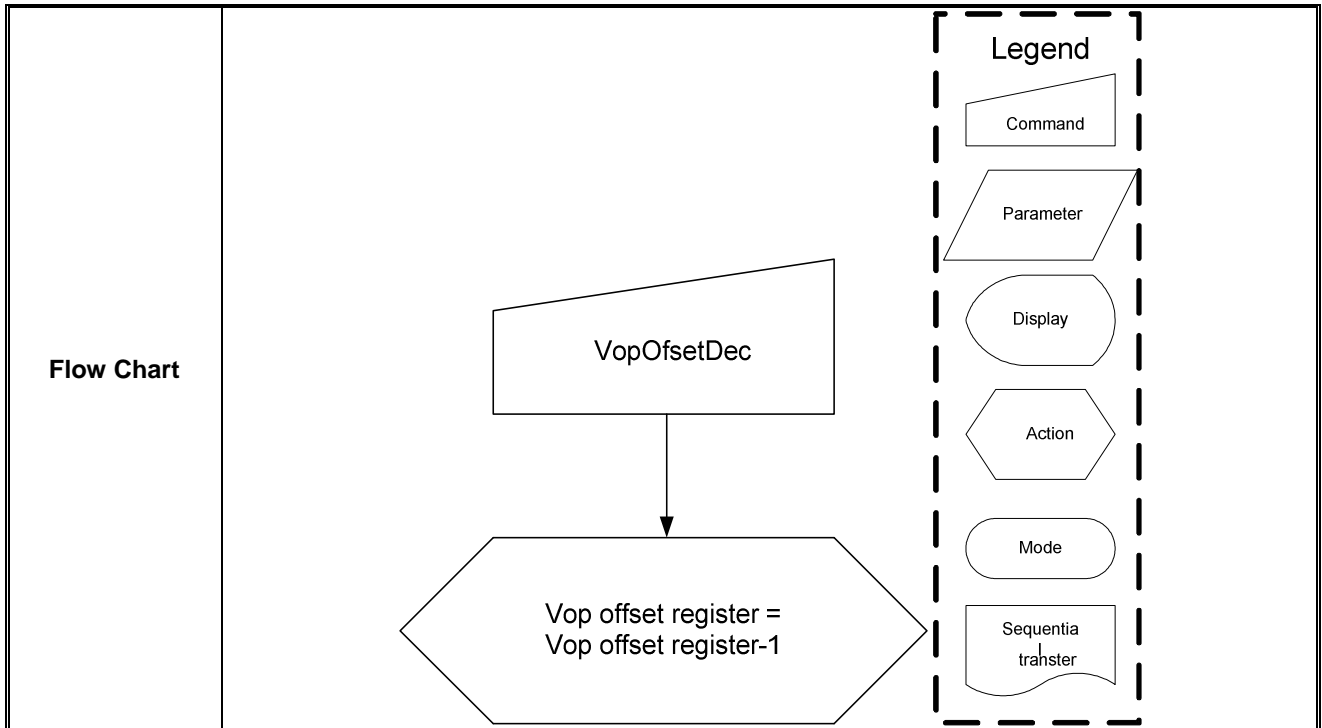
NOTE: "-- Don't care

Command	A0	/RD	/WR	D7	D6	D5	D4	D3	D2	D1	D0	Hex
VopOffsetDec	0	1	0	1	1	0	0	0	0	1	0	(C2h)

Description	<p>With the VopOffsetInc and VopOffsetDec command the VLCD voltage and therewith the contrast of the LCD can be adjusted. This command decreases the value of Vop offset register by 1.</p> <p>If you set the electronic control value to 00000, the control value is set to 11111 after this command has been executed.</p>	
	Electronic Control Value	Decimal Equivalent
	01111	15
	01110	14
	01101	13

	00010	2
	00001	1
	00000	0
	11111	-1
	11110	-2

	10010	-13
10001	-14	
10000	-15	
Restriction		
Register Availability	Status	Availability
	Normal Mode On, Idle Mode Off, Sleep Out	Yes
	Normal Mode On, Idle Mode On, Sleep Out	Yes
	Partial Mode On, Idle Mode Off, Sleep Out	Yes
	Partial Mode On, Idle Mode On, Sleep Out	Yes
	Sleep In	Yes
Default	Status	Default Value
	Power On Sequence	--
	S/W Reset	--
	H/W Reset	--

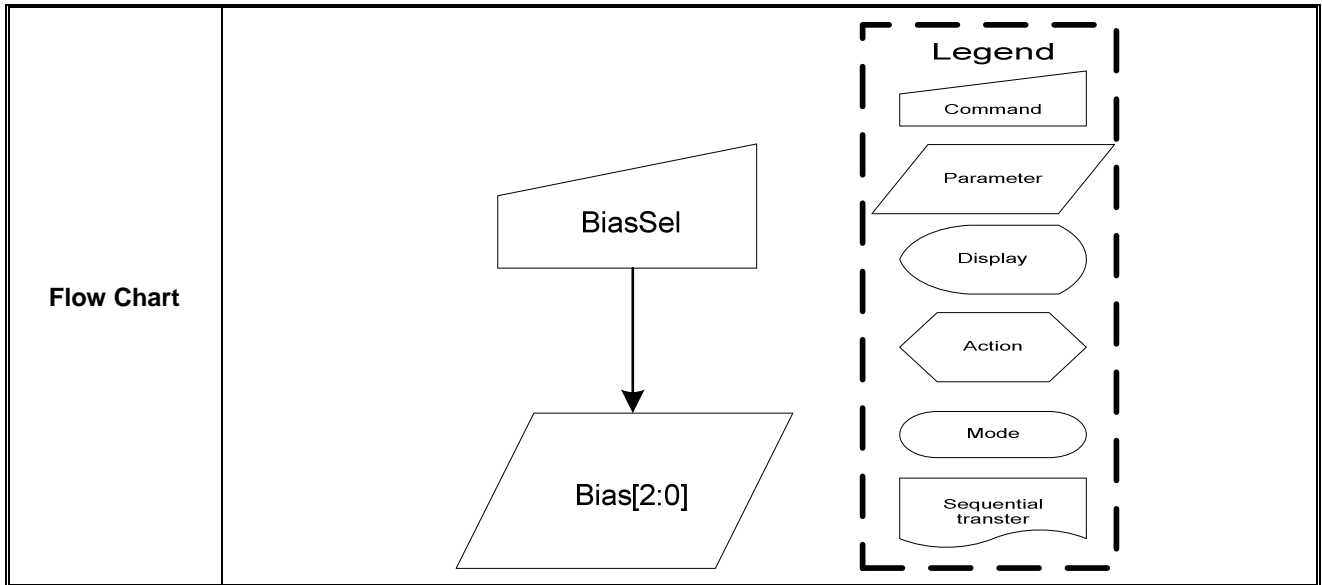


8.1.45. BiasSel: Bias Selection (C3H)

NOTE: "-" Don't care

Command	A0	/RD	/WR	D7	D6	D5	D4	D3	D2	D1	D0	Hex
BiasSel	0	1	0	1	1	0	0	0	0	1	1	(C3h)
Parameter	1	1	0	-	-	-	-	-	Bias2	Bias1	Bias0	-

Description	Select LCD bias ratio of the voltage required for driving the LCD.																																					
	<table border="1"> <thead> <tr> <th>Bais2</th> <th>Bais1</th> <th>Bais0</th> <th>LCD bias</th> </tr> </thead> <tbody> <tr> <td>0</td> <td>0</td> <td>0</td> <td>1/12</td> </tr> <tr> <td>0</td> <td>0</td> <td>1</td> <td>1/11</td> </tr> <tr> <td>0</td> <td>1</td> <td>0</td> <td>1/10</td> </tr> <tr> <td>0</td> <td>1</td> <td>1</td> <td>1/9</td> </tr> <tr> <td>1</td> <td>0</td> <td>0</td> <td>1/8</td> </tr> <tr> <td>1</td> <td>0</td> <td>1</td> <td>1/7</td> </tr> <tr> <td>1</td> <td>1</td> <td>0</td> <td>1/6</td> </tr> <tr> <td>1</td> <td>1</td> <td>1</td> <td>Reserved</td> </tr> </tbody> </table>	Bais2	Bais1	Bais0	LCD bias	0	0	0	1/12	0	0	1	1/11	0	1	0	1/10	0	1	1	1/9	1	0	0	1/8	1	0	1	1/7	1	1	0	1/6	1	1	1	Reserved	
	Bais2	Bais1	Bais0	LCD bias																																		
	0	0	0	1/12																																		
	0	0	1	1/11																																		
	0	1	0	1/10																																		
	0	1	1	1/9																																		
	1	0	0	1/8																																		
	1	0	1	1/7																																		
1	1	0	1/6																																			
1	1	1	Reserved																																			
Restriction																																						
Register Availability	<table border="1"> <thead> <tr> <th>Status</th> <th>Availability</th> </tr> </thead> <tbody> <tr> <td>Normal Mode On, Idle Mode Off, Sleep Out</td> <td>Yes</td> </tr> <tr> <td>Normal Mode On, Idle Mode On, Sleep Out</td> <td>Yes</td> </tr> <tr> <td>Partial Mode On, Idle Mode Off, Sleep Out</td> <td>Yes</td> </tr> <tr> <td>Partial Mode On, Idle Mode On, Sleep Out</td> <td>Yes</td> </tr> <tr> <td>Sleep In</td> <td>Yes</td> </tr> </tbody> </table>	Status	Availability	Normal Mode On, Idle Mode Off, Sleep Out	Yes	Normal Mode On, Idle Mode On, Sleep Out	Yes	Partial Mode On, Idle Mode Off, Sleep Out	Yes	Partial Mode On, Idle Mode On, Sleep Out	Yes	Sleep In	Yes																									
	Status	Availability																																				
	Normal Mode On, Idle Mode Off, Sleep Out	Yes																																				
	Normal Mode On, Idle Mode On, Sleep Out	Yes																																				
	Partial Mode On, Idle Mode Off, Sleep Out	Yes																																				
Partial Mode On, Idle Mode On, Sleep Out	Yes																																					
Sleep In	Yes																																					
Default	<table border="1"> <thead> <tr> <th>Status</th> <th>Default Value (Bias[2:0])</th> </tr> </thead> <tbody> <tr> <td>Power On Sequence</td> <td>011b</td> </tr> <tr> <td>S/W Reset</td> <td>011b</td> </tr> <tr> <td>H/W Reset</td> <td>011b</td> </tr> </tbody> </table>	Status	Default Value (Bias[2:0])	Power On Sequence	011b	S/W Reset	011b	H/W Reset	011b																													
	Status	Default Value (Bias[2:0])																																				
	Power On Sequence	011b																																				
	S/W Reset	011b																																				
H/W Reset	011b																																					

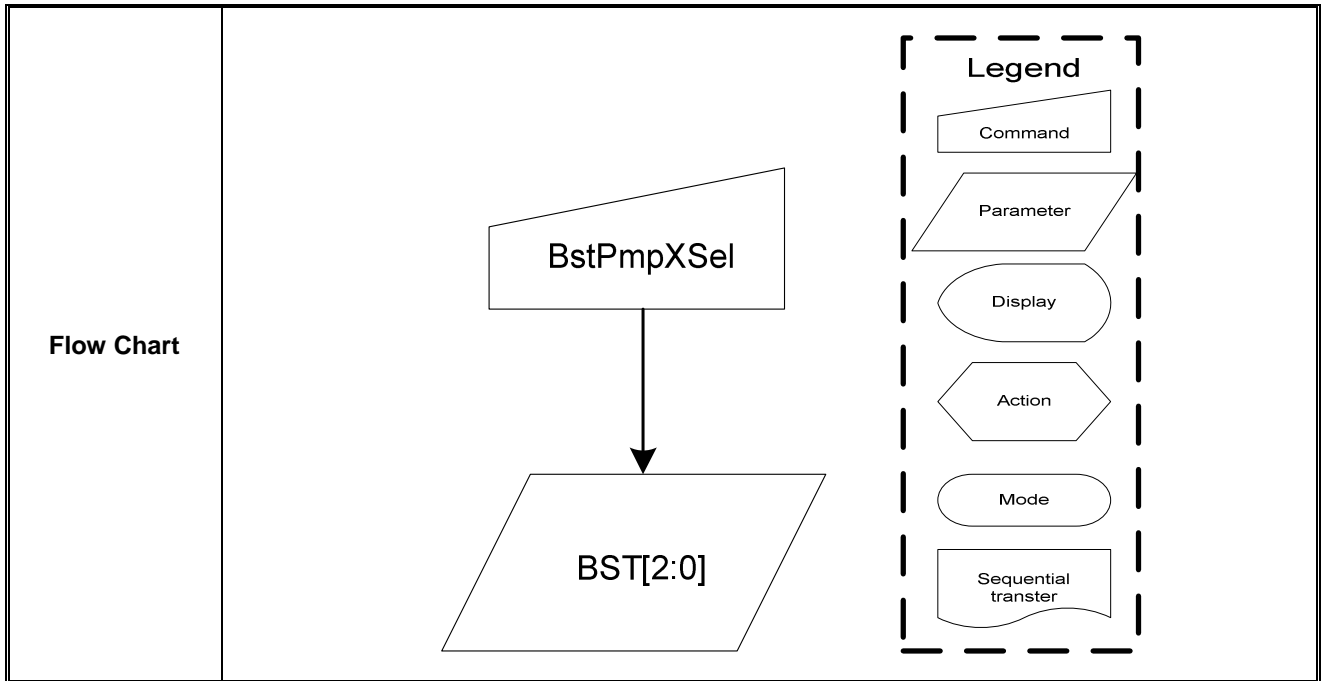


8.1.46. BstPmpXSel: Booster Setting (C4H)

NOTE: "-" Don't care

Command	A0	/RD	/WR	D7	D6	D5	D4	D3	D2	D1	D0	Hex
BstPmpXSel	0	1	0	1	1	0	0	0	1	0	0	(C4h)
Parameter	1	1	0	-	-	-	-	-	BST2	BST 1	BST0	-

Description	Booster setting		
	BST2	BST1	BST0
	0	0	0
	0	0	1
	0	1	0
	0	1	1
	1	0	0
	1	0	1
	1	1	0
	1	1	1
Restriction			
Register Availability	Status		Availability
	Normal Mode On, Idle Mode Off, Sleep Out		Yes
	Normal Mode On, Idle Mode On, Sleep Out		Yes
	Partial Mode On, Idle Mode Off, Sleep Out		Yes
	Partial Mode On, Idle Mode On, Sleep Out		Yes
	Sleep In		Yes
Default	Status		Default Value (BST[2:0])
	Power On Sequence		111b
	S/W Reset		111b
	H/W Reset		111b



8.1.47. VgSorcSel: Vg source control (CBH)

NOTE: "-" Don't care

Command	A0	/RD	/WR	D7	D6	D5	D4	D3	D2	D1	D0	Hex
V3SorcSel	0	1	0	1	1	0	0	1	0	1	1	(CBh)
Parameter	1	1	0	-	-	-	-	-	-	-	2BT0	-

Description	2BT0=0: Vg source comes from VDD2 ; 2BT0=1: Vg source comes from 2-times charge pump.													
Restriction														
Register Availability	<table border="1"> <thead> <tr> <th>Status</th> <th>Availability</th> </tr> </thead> <tbody> <tr> <td>Normal Mode On, Idle Mode Off, Sleep Out</td> <td>Yes</td> </tr> <tr> <td>Normal Mode On, Idle Mode On, Sleep Out</td> <td>Yes</td> </tr> <tr> <td>Partial Mode On, Idle Mode Off, Sleep Out</td> <td>Yes</td> </tr> <tr> <td>Partial Mode On, Idle Mode On, Sleep Out</td> <td>Yes</td> </tr> <tr> <td>Sleep In</td> <td>Yes</td> </tr> </tbody> </table>		Status	Availability	Normal Mode On, Idle Mode Off, Sleep Out	Yes	Normal Mode On, Idle Mode On, Sleep Out	Yes	Partial Mode On, Idle Mode Off, Sleep Out	Yes	Partial Mode On, Idle Mode On, Sleep Out	Yes	Sleep In	Yes
Status	Availability													
Normal Mode On, Idle Mode Off, Sleep Out	Yes													
Normal Mode On, Idle Mode On, Sleep Out	Yes													
Partial Mode On, Idle Mode Off, Sleep Out	Yes													
Partial Mode On, Idle Mode On, Sleep Out	Yes													
Sleep In	Yes													
Default	<table border="1"> <thead> <tr> <th>Status</th> <th>Default Value (2BT0)</th> </tr> </thead> <tbody> <tr> <td>Power On Sequence</td> <td>1</td> </tr> <tr> <td>S/W Reset</td> <td>1</td> </tr> <tr> <td>H/W Reset</td> <td>1</td> </tr> </tbody> </table>		Status	Default Value (2BT0)	Power On Sequence	1	S/W Reset	1	H/W Reset	1				
Status	Default Value (2BT0)													
Power On Sequence	1													
S/W Reset	1													
H/W Reset	1													
Flow Chart	<pre> graph TD VgSorcSel[Command] --> 2BT0[/Parameter/] </pre>													

8.1.48. IDSet : ID setting (CCH)

NOTE: "-" Don't care

Command	A0	/RD	/WR	D7	D6	D5	D4	D3	D2	D1	D0	Hex
ID1Set	0	1	0	1	1	0	0	1	1	0	0	(CCh)
Parameter	1	1	0	0	0	0	0	0	0	ID1	ID0	-

Description	ID setting for request by customer													
Restriction														
Register Availability	<table border="1"> <thead> <tr> <th>Status</th> <th>Availability</th> </tr> </thead> <tbody> <tr> <td>Normal Mode On, Idle Mode Off, Sleep Out</td> <td>Yes</td> </tr> <tr> <td>Normal Mode On, Idle Mode On, Sleep Out</td> <td>Yes</td> </tr> <tr> <td>Partial Mode On, Idle Mode Off, Sleep Out</td> <td>Yes</td> </tr> <tr> <td>Partial Mode On, Idle Mode On, Sleep Out</td> <td>Yes</td> </tr> <tr> <td>Sleep In</td> <td>Yes</td> </tr> </tbody> </table>	Status	Availability	Normal Mode On, Idle Mode Off, Sleep Out	Yes	Normal Mode On, Idle Mode On, Sleep Out	Yes	Partial Mode On, Idle Mode Off, Sleep Out	Yes	Partial Mode On, Idle Mode On, Sleep Out	Yes	Sleep In	Yes	
Status	Availability													
Normal Mode On, Idle Mode Off, Sleep Out	Yes													
Normal Mode On, Idle Mode On, Sleep Out	Yes													
Partial Mode On, Idle Mode Off, Sleep Out	Yes													
Partial Mode On, Idle Mode On, Sleep Out	Yes													
Sleep In	Yes													
Default	<table border="1"> <thead> <tr> <th>Status</th> <th>Default Value</th> </tr> </thead> <tbody> <tr> <td>Power On Sequence</td> <td>00h</td> </tr> <tr> <td>S/W Reset</td> <td>00h</td> </tr> <tr> <td>H/W Reset</td> <td>00h</td> </tr> </tbody> </table>	Status	Default Value	Power On Sequence	00h	S/W Reset	00h	H/W Reset	00h					
Status	Default Value													
Power On Sequence	00h													
S/W Reset	00h													
H/W Reset	00h													
Flow Chart	<pre> graph TD A[Command: ID Set] --> B[Parameter: ID[3:0]] </pre>													

8.1.49. NASET: Analog circuit setting (D0H)

NOTE: "-" Don't care

Command	A0	/RD	/WR	D7	D6	D5	D4	D3	D2	D1	D0	Hex
AutoLoadSet	0	1	0	1	1	0	1	0	0	0	0	(D0h)
Parameter	1	1	0	0	0	0	1	1	1	0	1	(1Dh)

Description	Analog circuit setting. Such as follower selection, level shifter power mode selection.													
Restriction														
Register Availability	<table border="1"> <thead> <tr> <th>Status</th> <th>Availability</th> </tr> </thead> <tbody> <tr> <td>Normal Mode On, Idle Mode Off, Sleep Out</td> <td>Yes</td> </tr> <tr> <td>Normal Mode On, Idle Mode On, Sleep Out</td> <td>Yes</td> </tr> <tr> <td>Partial Mode On, Idle Mode Off, Sleep Out</td> <td>Yes</td> </tr> <tr> <td>Partial Mode On, Idle Mode On, Sleep Out</td> <td>Yes</td> </tr> <tr> <td>Sleep In</td> <td>Yes</td> </tr> </tbody> </table>		Status	Availability	Normal Mode On, Idle Mode Off, Sleep Out	Yes	Normal Mode On, Idle Mode On, Sleep Out	Yes	Partial Mode On, Idle Mode Off, Sleep Out	Yes	Partial Mode On, Idle Mode On, Sleep Out	Yes	Sleep In	Yes
Status	Availability													
Normal Mode On, Idle Mode Off, Sleep Out	Yes													
Normal Mode On, Idle Mode On, Sleep Out	Yes													
Partial Mode On, Idle Mode Off, Sleep Out	Yes													
Partial Mode On, Idle Mode On, Sleep Out	Yes													
Sleep In	Yes													
Default	<table border="1"> <thead> <tr> <th>Status</th> <th>Default Value D[7:0]</th> </tr> </thead> <tbody> <tr> <td>Power On Sequence</td> <td>19h</td> </tr> <tr> <td>S/W Reset</td> <td>19h</td> </tr> <tr> <td>H/W Reset</td> <td>19h</td> </tr> </tbody> </table>		Status	Default Value D[7:0]	Power On Sequence	19h	S/W Reset	19h	H/W Reset	19h				
Status	Default Value D[7:0]													
Power On Sequence	19h													
S/W Reset	19h													
H/W Reset	19h													
Flow Chart	<pre> graph TD ANASET[ANASET] --> 1DH[1DH] </pre>													

8.1.50. AutoLoadSet: EEPROM data auto re-load control (D7H)

NOTE: "-" Don't care

Command	A0	/RD	/WR	D7	D6	D5	D4	D3	D2	D1	D0	Hex
AutoLoadSet	0	1	0	1	1	0	1	0	1	1	1	(D7h)
Parameter	1	1	0	1	0	0	ARD	1	1	1	1	-

Description	ARD : EEPROM auto read enable control, 1: Disable EEPROM auto read, 0: Enable EEPROM auto read												
Restriction													
Register Availability	<table border="1"> <thead> <tr> <th>Status</th> <th>Availability</th> </tr> </thead> <tbody> <tr> <td>Normal Mode On, Idle Mode Off, Sleep Out</td> <td>Yes</td> </tr> <tr> <td>Normal Mode On, Idle Mode On, Sleep Out</td> <td>Yes</td> </tr> <tr> <td>Partial Mode On, Idle Mode Off, Sleep Out</td> <td>Yes</td> </tr> <tr> <td>Partial Mode On, Idle Mode On, Sleep Out</td> <td>Yes</td> </tr> <tr> <td>Sleep In</td> <td>Yes</td> </tr> </tbody> </table>	Status	Availability	Normal Mode On, Idle Mode Off, Sleep Out	Yes	Normal Mode On, Idle Mode On, Sleep Out	Yes	Partial Mode On, Idle Mode Off, Sleep Out	Yes	Partial Mode On, Idle Mode On, Sleep Out	Yes	Sleep In	Yes
Status	Availability												
Normal Mode On, Idle Mode Off, Sleep Out	Yes												
Normal Mode On, Idle Mode On, Sleep Out	Yes												
Partial Mode On, Idle Mode Off, Sleep Out	Yes												
Partial Mode On, Idle Mode On, Sleep Out	Yes												
Sleep In	Yes												
Default	<table border="1"> <thead> <tr> <th>Status</th> <th>Default ValueD[7:0]</th> </tr> </thead> <tbody> <tr> <td>Power On Sequence</td> <td>1Fh</td> </tr> <tr> <td>S/W Reset</td> <td>1Fh</td> </tr> <tr> <td>H/W Reset</td> <td>1Fh</td> </tr> </tbody> </table>	Status	Default ValueD[7:0]	Power On Sequence	1Fh	S/W Reset	1Fh	H/W Reset	1Fh				
Status	Default ValueD[7:0]												
Power On Sequence	1Fh												
S/W Reset	1Fh												
H/W Reset	1Fh												
Flow Chart	<pre> graph TD A[AutoLoadSet] --> B[/ARD/] </pre> <p>The flow chart shows a trapezoidal box labeled 'AutoLoadSet' with an arrow pointing down to a parallelogram box labeled 'ARD'. To the right is a legend box containing six symbols: a trapezoid for 'Command', a parallelogram for 'Parameter', an oval for 'Display', a hexagon for 'Action', a rounded rectangle for 'Mode', and a wavy rectangle for 'Sequential transfer'.</p>												

8.1.51. RDTstStatus: Read IC status (DEH)

NOTE: "-" Don't care

Command	A0	/RD	/WR	D7	D6	D5	D4	D3	D2	D1	D0	Hex
RDTstStatus	0	1	0	1	1	0	1	1	1	1	0	(DEh)
Dummy Read	1	0	1	-	-	-	-	-	-	-	-	
Parameter	1	0	1	RD7	RD6	RD5	RD4	RD3	RD2	RD1	RD0	-

Description	Read IC status. Contect of EEPROM / RDA / PWR_VOP read control (selection Byte by StusOutByteSel[3:0] control)												
Restriction													
Register Availability	<table border="1" style="width: 100%;"> <thead> <tr> <th>Status</th> <th>Availability</th> </tr> </thead> <tbody> <tr> <td>Normal Mode On, Idle Mode Off, Sleep Out</td> <td>Yes</td> </tr> <tr> <td>Normal Mode On, Idle Mode On, Sleep Out</td> <td>Yes</td> </tr> <tr> <td>Partial Mode On, Idle Mode Off, Sleep Out</td> <td>Yes</td> </tr> <tr> <td>Partial Mode On, Idle Mode On, Sleep Out</td> <td>Yes</td> </tr> <tr> <td>Sleep In</td> <td>Yes</td> </tr> </tbody> </table>	Status	Availability	Normal Mode On, Idle Mode Off, Sleep Out	Yes	Normal Mode On, Idle Mode On, Sleep Out	Yes	Partial Mode On, Idle Mode Off, Sleep Out	Yes	Partial Mode On, Idle Mode On, Sleep Out	Yes	Sleep In	Yes
Status	Availability												
Normal Mode On, Idle Mode Off, Sleep Out	Yes												
Normal Mode On, Idle Mode On, Sleep Out	Yes												
Partial Mode On, Idle Mode Off, Sleep Out	Yes												
Partial Mode On, Idle Mode On, Sleep Out	Yes												
Sleep In	Yes												
Default	<table border="1" style="width: 100%;"> <thead> <tr> <th>Status</th> <th>Default Value</th> </tr> </thead> <tbody> <tr> <td>Power On Sequence</td> <td>-</td> </tr> <tr> <td>S/W Reset</td> <td>-</td> </tr> <tr> <td>H/W Reset</td> <td>-</td> </tr> </tbody> </table>	Status	Default Value	Power On Sequence	-	S/W Reset	-	H/W Reset	-				
Status	Default Value												
Power On Sequence	-												
S/W Reset	-												
H/W Reset	-												
Flow Chart	<div style="display: flex; justify-content: space-around;"> <div style="text-align: center;"> <p>Serial I/F Mode</p> </div> <div style="text-align: center;"> <p>Parallel I/F Mode</p> </div> </div> <div style="margin-top: 20px;"> <p>Legend</p> <ul style="list-style-type: none"> Command Parameter Display Action Mode Sequential transfer </div>												

8.1.52. EEPCIN: control EEPROM WR/ERS/RD (E0H)

NOTE: “-“ Don't care

Command	A0	/RD	/WR	D7	D6	D5	D4	D3	D2	D1	D0	Hex
EEPCIN	0	1	0	1	1	1	0	0	0	0	0	(E0h)
Parameter	1	1	0	0	0	WR/ER S/RD	0	0	0	0	0	-

Description	WR/ERS/RD: when setting “1”, the Write/Erase enable of EEPROM will be opened. WR/ERS/RD: when setting “0”, the Read enable of EEPROM will be opened.												
Restriction													
Register Availability	<table border="1"> <thead> <tr> <th>Status</th> <th>Availability</th> </tr> </thead> <tbody> <tr> <td>Normal Mode On, Idle Mode Off, Sleep Out</td> <td>Yes</td> </tr> <tr> <td>Normal Mode On, Idle Mode On, Sleep Out</td> <td>Yes</td> </tr> <tr> <td>Partial Mode On, Idle Mode Off, Sleep Out</td> <td>Yes</td> </tr> <tr> <td>Partial Mode On, Idle Mode On, Sleep Out</td> <td>Yes</td> </tr> <tr> <td>Sleep In</td> <td>Yes</td> </tr> </tbody> </table>	Status	Availability	Normal Mode On, Idle Mode Off, Sleep Out	Yes	Normal Mode On, Idle Mode On, Sleep Out	Yes	Partial Mode On, Idle Mode Off, Sleep Out	Yes	Partial Mode On, Idle Mode On, Sleep Out	Yes	Sleep In	Yes
Status	Availability												
Normal Mode On, Idle Mode Off, Sleep Out	Yes												
Normal Mode On, Idle Mode On, Sleep Out	Yes												
Partial Mode On, Idle Mode Off, Sleep Out	Yes												
Partial Mode On, Idle Mode On, Sleep Out	Yes												
Sleep In	Yes												
Default	<table border="1"> <thead> <tr> <th>Status</th> <th>Default Value</th> </tr> </thead> <tbody> <tr> <td>Power On Sequence</td> <td>0</td> </tr> <tr> <td>S/W Reset</td> <td>0</td> </tr> <tr> <td>H/W Reset</td> <td>0</td> </tr> </tbody> </table>	Status	Default Value	Power On Sequence	0	S/W Reset	0	H/W Reset	0				
Status	Default Value												
Power On Sequence	0												
S/W Reset	0												
H/W Reset	0												
Flow Chart	<pre> graph TD EEPCIN[EEPCIN] --> WR_XRD_ERS[/WR/XRD/ERS/] </pre> <p>Legend</p> <ul style="list-style-type: none"> Command (trapezoid) Parameter (parallelogram) Display (oval) Action (hexagon) Mode (rounded rectangle) Sequential transfer (dashed box) 												

8.1.53. EEPCOUT: EEPROM control out (E1H)

NOTE: “-“ Don't care

Command	A0	/RD	/WR	D7	D6	D5	D4	D3	D2	D1	D0	Hex
EEPCOUT	0	1	0	1	1	1	0	0	0	0	1	(E1h)

Description	IC exits the EEPROM control circuit when executing this command.												
Restriction													
Register Availability	<table border="1"> <thead> <tr> <th>Status</th> <th>Availability</th> </tr> </thead> <tbody> <tr> <td>Normal Mode On, Idle Mode Off, Sleep Out</td> <td>Yes</td> </tr> <tr> <td>Normal Mode On, Idle Mode On, Sleep Out</td> <td>Yes</td> </tr> <tr> <td>Partial Mode On, Idle Mode Off, Sleep Out</td> <td>Yes</td> </tr> <tr> <td>Partial Mode On, Idle Mode On, Sleep Out</td> <td>Yes</td> </tr> <tr> <td>Sleep In</td> <td>Yes</td> </tr> </tbody> </table>	Status	Availability	Normal Mode On, Idle Mode Off, Sleep Out	Yes	Normal Mode On, Idle Mode On, Sleep Out	Yes	Partial Mode On, Idle Mode Off, Sleep Out	Yes	Partial Mode On, Idle Mode On, Sleep Out	Yes	Sleep In	Yes
Status	Availability												
Normal Mode On, Idle Mode Off, Sleep Out	Yes												
Normal Mode On, Idle Mode On, Sleep Out	Yes												
Partial Mode On, Idle Mode Off, Sleep Out	Yes												
Partial Mode On, Idle Mode On, Sleep Out	Yes												
Sleep In	Yes												
Default	<table border="1"> <thead> <tr> <th>Status</th> <th>Default Value</th> </tr> </thead> <tbody> <tr> <td>Power On Sequence</td> <td>--</td> </tr> <tr> <td>S/W Reset</td> <td>--</td> </tr> <tr> <td>H/W Reset</td> <td>--</td> </tr> </tbody> </table>	Status	Default Value	Power On Sequence	--	S/W Reset	--	H/W Reset	--				
Status	Default Value												
Power On Sequence	--												
S/W Reset	--												
H/W Reset	--												
Flow Chart	<pre> graph TD EEPCIN[/EEPCIN/] --> EEPANFSEL[/EEPANFSEL/] EEPANFSEL --> EEPWR[/EEPWR/] EEPWR --> EEPCOUT[/EEPCOUT/] </pre> <p>Legend</p> <ul style="list-style-type: none"> Command: Parallelogram Parameter: Trapezoid Display: Oval Action: Hexagon Mode: Rounded rectangle Sequential transfer: Rectangle with wavy bottom 												

8.1.54. EEPWR: Write to EEPROM (E2H)

NOTE: "-- Don't care

Command	A0	/RD	/WR	D7	D6	D5	D4	D3	D2	D1	D0	Hex
EPCOUT	0	1	0	1	1	1	0	0	0	1	0	(E2h)

Description	IC activates trigger to start EEPROM programming when executing this command.												
Restriction													
Register Availability	<table border="1"> <thead> <tr> <th>Status</th> <th>Availability</th> </tr> </thead> <tbody> <tr> <td>Normal Mode On, Idle Mode Off, Sleep Out</td> <td>Yes</td> </tr> <tr> <td>Normal Mode On, Idle Mode On, Sleep Out</td> <td>Yes</td> </tr> <tr> <td>Partial Mode On, Idle Mode Off, Sleep Out</td> <td>Yes</td> </tr> <tr> <td>Partial Mode On, Idle Mode On, Sleep Out</td> <td>Yes</td> </tr> <tr> <td>Sleep In</td> <td>Yes</td> </tr> </tbody> </table>	Status	Availability	Normal Mode On, Idle Mode Off, Sleep Out	Yes	Normal Mode On, Idle Mode On, Sleep Out	Yes	Partial Mode On, Idle Mode Off, Sleep Out	Yes	Partial Mode On, Idle Mode On, Sleep Out	Yes	Sleep In	Yes
Status	Availability												
Normal Mode On, Idle Mode Off, Sleep Out	Yes												
Normal Mode On, Idle Mode On, Sleep Out	Yes												
Partial Mode On, Idle Mode Off, Sleep Out	Yes												
Partial Mode On, Idle Mode On, Sleep Out	Yes												
Sleep In	Yes												
Default	<table border="1"> <thead> <tr> <th>Status</th> <th>Default Value</th> </tr> </thead> <tbody> <tr> <td>Power On Sequence</td> <td>--</td> </tr> <tr> <td>S/W Reset</td> <td>--</td> </tr> <tr> <td>H/W Reset</td> <td>--</td> </tr> </tbody> </table>	Status	Default Value	Power On Sequence	--	S/W Reset	--	H/W Reset	--				
Status	Default Value												
Power On Sequence	--												
S/W Reset	--												
H/W Reset	--												
Flow Chart	<pre> graph TD EEPCIN[/EEPCIN/] --> EEPANFSEL[/EEPANFSEL/] EEPANFSEL --> EEPWR[/EEPWR/] EEPWR --> EEPCCOUT[/EEPCCOUT/] </pre> <p>Legend</p> <ul style="list-style-type: none"> Command: Parallelogram Parameter: Trapezoid Display: Oval Action: Hexagon Mode: Rounded rectangle Sequential transfer: Wavy rectangle 												

8.1.55. EEP RD: Read from EEPROM (E3H)

NOTE: "-- Don't care

Command	A0	/RD	/WR	D7	D6	D5	D4	D3	D2	D1	D0	Hex
EPMRD	0	1	0	1	1	1	0	0	0	1	1	(E3h)

Description	IC activates trigger to start EEPROM data download to circuit when executing this command.												
Restriction													
Register Availability	<table border="1"> <thead> <tr> <th>Status</th> <th>Availability</th> </tr> </thead> <tbody> <tr> <td>Normal Mode On, Idle Mode Off, Sleep Out</td> <td>Yes</td> </tr> <tr> <td>Normal Mode On, Idle Mode On, Sleep Out</td> <td>Yes</td> </tr> <tr> <td>Partial Mode On, Idle Mode Off, Sleep Out</td> <td>Yes</td> </tr> <tr> <td>Partial Mode On, Idle Mode On, Sleep Out</td> <td>Yes</td> </tr> <tr> <td>Sleep In</td> <td>Yes</td> </tr> </tbody> </table>	Status	Availability	Normal Mode On, Idle Mode Off, Sleep Out	Yes	Normal Mode On, Idle Mode On, Sleep Out	Yes	Partial Mode On, Idle Mode Off, Sleep Out	Yes	Partial Mode On, Idle Mode On, Sleep Out	Yes	Sleep In	Yes
Status	Availability												
Normal Mode On, Idle Mode Off, Sleep Out	Yes												
Normal Mode On, Idle Mode On, Sleep Out	Yes												
Partial Mode On, Idle Mode Off, Sleep Out	Yes												
Partial Mode On, Idle Mode On, Sleep Out	Yes												
Sleep In	Yes												
Default	<table border="1"> <thead> <tr> <th>Status</th> <th>Default Value</th> </tr> </thead> <tbody> <tr> <td>Power On Sequence</td> <td>--</td> </tr> <tr> <td>S/W Reset</td> <td>--</td> </tr> <tr> <td>H/W Reset</td> <td>--</td> </tr> </tbody> </table>	Status	Default Value	Power On Sequence	--	S/W Reset	--	H/W Reset	--				
Status	Default Value												
Power On Sequence	--												
S/W Reset	--												
H/W Reset	--												
Flow Chart	<pre> graph TD EEPCIN[EEPCIN] --> EEPANFSEL[/EEPANFSEL/] EEPANFSEL --> EEP RD[/EEP RD/] EEP RD --> EEPCOUT[/EEPCOUT/] </pre> <p>Legend</p> <ul style="list-style-type: none"> Command Parameter Display Action Mode Sequential transfer 												

8.1.56. ROMSET: Programmable rom setting (E5H)

NOTE: "-" Don't care

Command	A0	/RD	/WR	D7	D6	D5	D4	D3	D2	D1	D0	Hex
AutoLoadSet	0	1	0	0	1	1	1	0	1	0	1	(E5h)
Parameter	1	1	0	0	0	0	0	1	1	1	1	(0Fh)

Description	Set the EEPROM writing timing.												
Restriction													
Register Availability	<table border="1"> <thead> <tr> <th>Status</th> <th>Availability</th> </tr> </thead> <tbody> <tr> <td>Normal Mode On, Idle Mode Off, Sleep Out</td> <td>Yes</td> </tr> <tr> <td>Normal Mode On, Idle Mode On, Sleep Out</td> <td>Yes</td> </tr> <tr> <td>Partial Mode On, Idle Mode Off, Sleep Out</td> <td>Yes</td> </tr> <tr> <td>Partial Mode On, Idle Mode On, Sleep Out</td> <td>Yes</td> </tr> <tr> <td>Sleep In</td> <td>Yes</td> </tr> </tbody> </table>	Status	Availability	Normal Mode On, Idle Mode Off, Sleep Out	Yes	Normal Mode On, Idle Mode On, Sleep Out	Yes	Partial Mode On, Idle Mode Off, Sleep Out	Yes	Partial Mode On, Idle Mode On, Sleep Out	Yes	Sleep In	Yes
Status	Availability												
Normal Mode On, Idle Mode Off, Sleep Out	Yes												
Normal Mode On, Idle Mode On, Sleep Out	Yes												
Partial Mode On, Idle Mode Off, Sleep Out	Yes												
Partial Mode On, Idle Mode On, Sleep Out	Yes												
Sleep In	Yes												
Default	<table border="1"> <thead> <tr> <th>Status</th> <th>Default Value D[7:0]</th> </tr> </thead> <tbody> <tr> <td>Power On Sequence</td> <td>0Fh</td> </tr> <tr> <td>S/W Reset</td> <td>0Fh</td> </tr> <tr> <td>H/W Reset</td> <td>0Fh</td> </tr> </tbody> </table>	Status	Default Value D[7:0]	Power On Sequence	0Fh	S/W Reset	0Fh	H/W Reset	0Fh				
Status	Default Value D[7:0]												
Power On Sequence	0Fh												
S/W Reset	0Fh												
H/W Reset	0Fh												
Flow Chart	<p>The flow chart shows a trapezoidal shape labeled 'ROMSET' with an arrow pointing down to a parallelogram shape labeled '0FH'. To the right is a legend box containing: Command (trapezoid), Parameter (parallelogram), Display (oval), Action (hexagon), Mode (rounded rectangle), and Sequential transfer (wavy rectangle).</p>												

8.1.57. LVMS: Low voltage mode setting (E8H)

	A0	RD	WR	D7	D6	D5	D4	D3	D2	D1	D0	HEX
Command 1	0	1	0	1	1	1	0	1	0	0	0	(E8h)
1 st parameter	1	1	0	1	0	0	0	1	1	0	1	(8Dh)
2 nd parameter	1	1	0	0	0	0	0	1	1	0	1	(0Dh)
3 rd parameter	1	1	0	0	0	0	1	1	1	0	0	(1Ch)

Description	Low voltage mode setting.																			
Restriction																				
Register Availability	<table border="1"> <thead> <tr> <th>Status</th> <th>Availability</th> </tr> </thead> <tbody> <tr> <td>Normal Mode On, Idle Mode Off, Sleep Out</td> <td>Yes</td> </tr> <tr> <td>Normal Mode On, Idle Mode On, Sleep Out</td> <td>Yes</td> </tr> <tr> <td>Partial Mode On, Idle Mode Off, Sleep Out</td> <td>Yes</td> </tr> <tr> <td>Partial Mode On, Idle Mode On, Sleep Out</td> <td>Yes</td> </tr> <tr> <td>Sleep In</td> <td>Yes</td> </tr> </tbody> </table>	Status	Availability	Normal Mode On, Idle Mode Off, Sleep Out	Yes	Normal Mode On, Idle Mode On, Sleep Out	Yes	Partial Mode On, Idle Mode Off, Sleep Out	Yes	Partial Mode On, Idle Mode On, Sleep Out	Yes	Sleep In	Yes							
Status	Availability																			
Normal Mode On, Idle Mode Off, Sleep Out	Yes																			
Normal Mode On, Idle Mode On, Sleep Out	Yes																			
Partial Mode On, Idle Mode Off, Sleep Out	Yes																			
Partial Mode On, Idle Mode On, Sleep Out	Yes																			
Sleep In	Yes																			
Default	<table border="1"> <thead> <tr> <th rowspan="2">Status</th> <th colspan="3">Default Value</th> </tr> <tr> <th>D1[7:0]</th> <th>D2[7:0]</th> <th>D3[7:0]</th> </tr> </thead> <tbody> <tr> <td>Power On Sequence</td> <td>8Dh</td> <td>0Dh</td> <td>1Ch</td> </tr> <tr> <td>S/W Reset</td> <td>8Dh</td> <td>0Dh</td> <td>1Ch</td> </tr> <tr> <td>H/W Reset</td> <td>8Dh</td> <td>0Dh</td> <td>1Ch</td> </tr> </tbody> </table>	Status	Default Value			D1[7:0]	D2[7:0]	D3[7:0]	Power On Sequence	8Dh	0Dh	1Ch	S/W Reset	8Dh	0Dh	1Ch	H/W Reset	8Dh	0Dh	1Ch
Status	Default Value																			
	D1[7:0]	D2[7:0]	D3[7:0]																	
Power On Sequence	8Dh	0Dh	1Ch																	
S/W Reset	8Dh	0Dh	1Ch																	
H/W Reset	8Dh	0Dh	1Ch																	
Flow Chart																				

8.1.58. DispComStep2: Display Compensation Step2 (ECH)

	A0	RD	WR	D7	D6	D5	D4	D3	D2	D1	D0	HEX
DisCompStep2	0	1	0	1	1	1	1	0	0	0	0	(ECH)
parameter	1	1	0	0	0	0	0	Step3	Step 2	Step 1	Step 0	-

Description	The command is used to program the optimum LCD display quality.				
	Step3	Step2	Step1	Step0	STEP
	0	0	0	0	1
	0	0	0	1	2
	0	0	1	0	3
	0	0	1	1	4
	0	1	0	0	5
	0	1	0	1	6
	0	1	1	0	7
	0	1	1	1	8
	1	0	0	0	9
	1	0	0	1	10
	1	0	1	0	11
	1	0	1	1	12
	1	1	0	0	13
	1	1	0	1	14
1	1	1	0	15	
1	1	1	1	16	
Restriction					
Register Availability	Status				Availability
	Normal Mode On, Idle Mode Off, Sleep Out				Yes
	Normal Mode On, Idle Mode On, Sleep Out				Yes
	Partial Mode On, Idle Mode Off, Sleep Out				Yes
	Partial Mode On, Idle Mode On, Sleep Out				Yes
	Sleep In				Yes

Default	Status	Default Value
	Power On Sequence	04h
	S/W Reset	04h
	H/W Reset	04h

8.1.59. FRMSEL: Frame Freq. in Temperature range (F0H)

	A0	RD	WR	D7	D6	D5	D4	D3	D2	D1	D0	HEX
Command	0	1	0	1	1	1	1	0	0	0	0	(F0H)
1 st parameter	1	1	0	-	-	-	DIVA	FA3	FA2	FA1	FA0	Range A
2 nd parameter	1	1	0	-	-	-	DIVB	FB3	FB2	FB1	FB0	Range B
3 rd parameter	1	1	0	-	-	-	DIVC	FC3	FC2	FC1	FC0	Range C
4 th parameter	1	1	0	-	-	-	DIVD	FD3	FD2	FD1	FD0	Range D

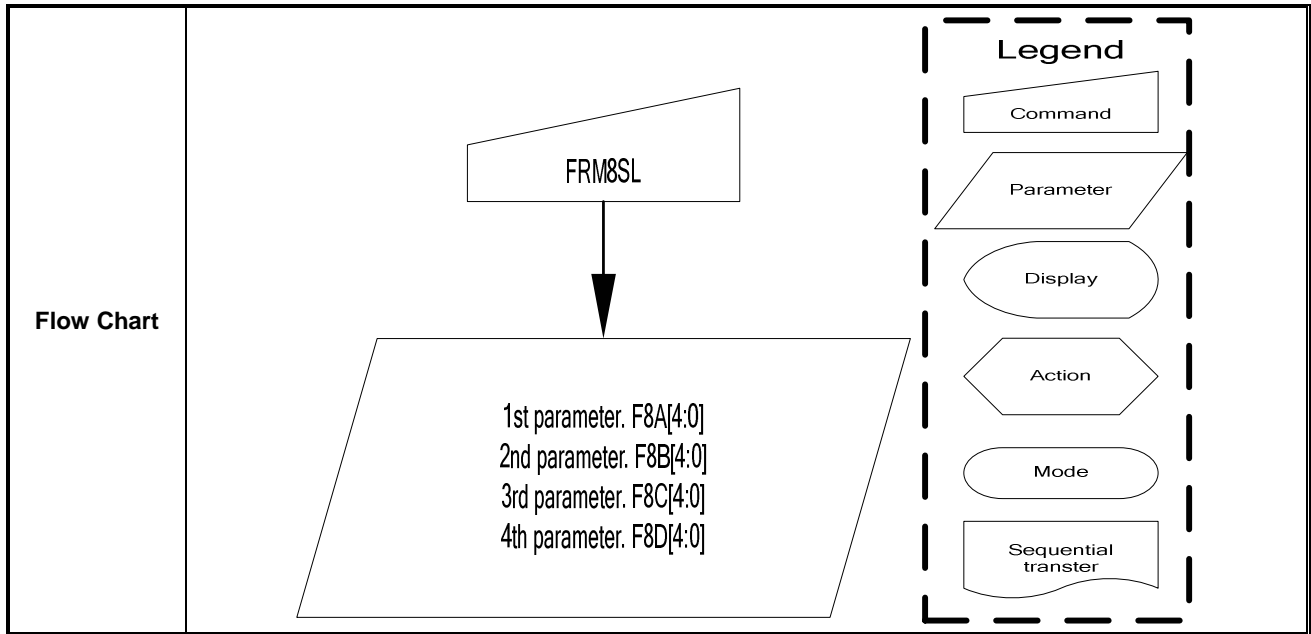
Description	Select Frame Freq. in normal display mode.																																																																														
	1 st parameter : Frame freq. value set in temperature range 30(-30°C) to TA																																																																														
	2 nd parameter : Frame freq. value set in temperature P range TA to TB																																																																														
	3 rd parameter : Frame freq. value set in temperature range TB to TC																																																																														
	4 th parameter : Frame freq. value set in temperature range TC to 145(90°C)																																																																														
	For command setting to frame rate value look-up-table, please see the following table:																																																																														
	<table border="1" style="width: 100%; border-collapse: collapse;"> <thead> <tr> <th style="width: 10%;">DIVx</th> <th colspan="2" style="width: 45%;">1</th> <th colspan="2" style="width: 45%;">0</th> </tr> <tr> <th></th> <th style="width: 15%;">Fx[3:0]</th> <th style="width: 30%;">Frame Rate (Hz)</th> <th style="width: 15%;">Fx[3:0]</th> <th style="width: 30%;">Frame Rate (Hz)</th> </tr> </thead> <tbody> <tr> <td rowspan="14" style="text-align: center; vertical-align: middle;">1</td> <td>0</td> <td>77.6</td> <td>0</td> <td>38.8</td> </tr> <tr> <td>1</td> <td>77.6</td> <td>1</td> <td>38.8</td> </tr> <tr> <td>2</td> <td>77.6</td> <td>2</td> <td>38.8</td> </tr> <tr> <td>3</td> <td>77.6</td> <td>3</td> <td>38.8</td> </tr> <tr> <td>4</td> <td>77.6</td> <td>4</td> <td>38.8</td> </tr> <tr> <td>5</td> <td>97</td> <td>5</td> <td>48.5</td> </tr> <tr> <td>6</td> <td>97</td> <td>6</td> <td>48.5</td> </tr> <tr> <td>7</td> <td>97</td> <td>7</td> <td>48.5</td> </tr> <tr> <td>8</td> <td>97</td> <td>8</td> <td>48.5</td> </tr> <tr> <td>9</td> <td>97</td> <td>9</td> <td>48.5</td> </tr> <tr> <td>A</td> <td>129.3</td> <td>A</td> <td>64.6</td> </tr> <tr> <td>B</td> <td>129.3</td> <td>B</td> <td>64.6</td> </tr> <tr> <td>C</td> <td>129.3</td> <td>C</td> <td>64.6</td> </tr> <tr> <td>D</td> <td>129.3</td> <td>D</td> <td>64.6</td> </tr> <tr> <td>E</td> <td>129.3</td> <td>E</td> <td>64.6</td> </tr> <tr> <td>F</td> <td>194</td> <td>F</td> <td>97</td> </tr> </tbody> </table>				DIVx	1		0			Fx[3:0]	Frame Rate (Hz)	Fx[3:0]	Frame Rate (Hz)	1	0	77.6	0	38.8	1	77.6	1	38.8	2	77.6	2	38.8	3	77.6	3	38.8	4	77.6	4	38.8	5	97	5	48.5	6	97	6	48.5	7	97	7	48.5	8	97	8	48.5	9	97	9	48.5	A	129.3	A	64.6	B	129.3	B	64.6	C	129.3	C	64.6	D	129.3	D	64.6	E	129.3	E	64.6	F	194	F	97
	DIVx	1		0																																																																											
		Fx[3:0]	Frame Rate (Hz)	Fx[3:0]	Frame Rate (Hz)																																																																										
	1	0	77.6	0	38.8																																																																										
		1	77.6	1	38.8																																																																										
		2	77.6	2	38.8																																																																										
		3	77.6	3	38.8																																																																										
		4	77.6	4	38.8																																																																										
		5	97	5	48.5																																																																										
6		97	6	48.5																																																																											
7		97	7	48.5																																																																											
8		97	8	48.5																																																																											
9		97	9	48.5																																																																											
A		129.3	A	64.6																																																																											
B		129.3	B	64.6																																																																											
C		129.3	C	64.6																																																																											
D		129.3	D	64.6																																																																											
E	129.3	E	64.6																																																																												
F	194	F	97																																																																												
Restriction	The frame rate shown as above is when duty setting is 128.																																																																														
	When duty setting is not 128: Frame rate=default frame rate x (129/(duty setting+1))																																																																														

<p>Register Availability</p>	<table border="1"> <thead> <tr> <th>Status</th> <th>Availability</th> </tr> </thead> <tbody> <tr> <td>Normal Mode On, Idle Mode Off, Sleep Out</td> <td>Yes</td> </tr> <tr> <td>Normal Mode On, Idle Mode On, Sleep Out</td> <td>Yes</td> </tr> <tr> <td>Partial Mode On, Idle Mode Off, Sleep Out</td> <td>Yes</td> </tr> <tr> <td>Partial Mode On, Idle Mode On, Sleep Out</td> <td>Yes</td> </tr> <tr> <td>Sleep In</td> <td>Yes</td> </tr> </tbody> </table>	Status	Availability	Normal Mode On, Idle Mode Off, Sleep Out	Yes	Normal Mode On, Idle Mode On, Sleep Out	Yes	Partial Mode On, Idle Mode Off, Sleep Out	Yes	Partial Mode On, Idle Mode On, Sleep Out	Yes	Sleep In	Yes												
Status	Availability																								
Normal Mode On, Idle Mode Off, Sleep Out	Yes																								
Normal Mode On, Idle Mode On, Sleep Out	Yes																								
Partial Mode On, Idle Mode Off, Sleep Out	Yes																								
Partial Mode On, Idle Mode On, Sleep Out	Yes																								
Sleep In	Yes																								
<p>Default</p>	<table border="1"> <thead> <tr> <th rowspan="2">Status</th> <th colspan="4">Default Value</th> </tr> <tr> <th>FA[4:0]</th> <th>FB[4:0]</th> <th>FC[4:0]</th> <th>FD[4:0]</th> </tr> </thead> <tbody> <tr> <td>Power On Sequence</td> <td>06h</td> <td>0Bh</td> <td>0Dh</td> <td>12h</td> </tr> <tr> <td>S/W Reset</td> <td>06h</td> <td>0Bh</td> <td>0Dh</td> <td>12h</td> </tr> <tr> <td>H/W Reset</td> <td>06h</td> <td>0Bh</td> <td>0Dh</td> <td>12h</td> </tr> </tbody> </table>	Status	Default Value				FA[4:0]	FB[4:0]	FC[4:0]	FD[4:0]	Power On Sequence	06h	0Bh	0Dh	12h	S/W Reset	06h	0Bh	0Dh	12h	H/W Reset	06h	0Bh	0Dh	12h
Status	Default Value																								
	FA[4:0]	FB[4:0]	FC[4:0]	FD[4:0]																					
Power On Sequence	06h	0Bh	0Dh	12h																					
S/W Reset	06h	0Bh	0Dh	12h																					
H/W Reset	06h	0Bh	0Dh	12h																					
<p>Flow Chart</p>	<div style="display: flex; align-items: center;"> <div style="flex: 1;"> <pre> graph TD FRMSL[FRMSL] --> ParamList[1st parameter. FA[4:0] 2nd parameter. FB[4:0] 3rd parameter. FC[4:0] 4th parameter. FD[4:0]] </pre> </div> <div style="flex: 1; border: 1px dashed black; padding: 5px;"> <p>Legend</p> <ul style="list-style-type: none"> Command Parameter Display Action Mode Sequential transfer </div> </div>																								

8.1.60. FRM8SEL: Frame Freq. in Temperature range (idle-8 color) (F1H)

	A0	RD	WR	D7	D6	D5	D4	D3	D2	D1	D0	HEX
Command	0	1	0	1	1	1	1	0	0	0	1	(F1h)
1 st parameter	1	1	0	-	-	-	F8A4	F8A3	F8A2	F8A1	F8A0	Range A
2 nd parameter	1	1	0	-	-	-	F8B4	F8B3	F8B2	F8B1	F8B0	Range B
3 rd parameter	1	1	0	-	-	-	F8C4	F8C3	F8C2	F8C1	F8C0	Range C
4 th parameter	1	1	0	-	-	-	F8D4	F8D3	F8D2	F8D1	F8D0	Range D

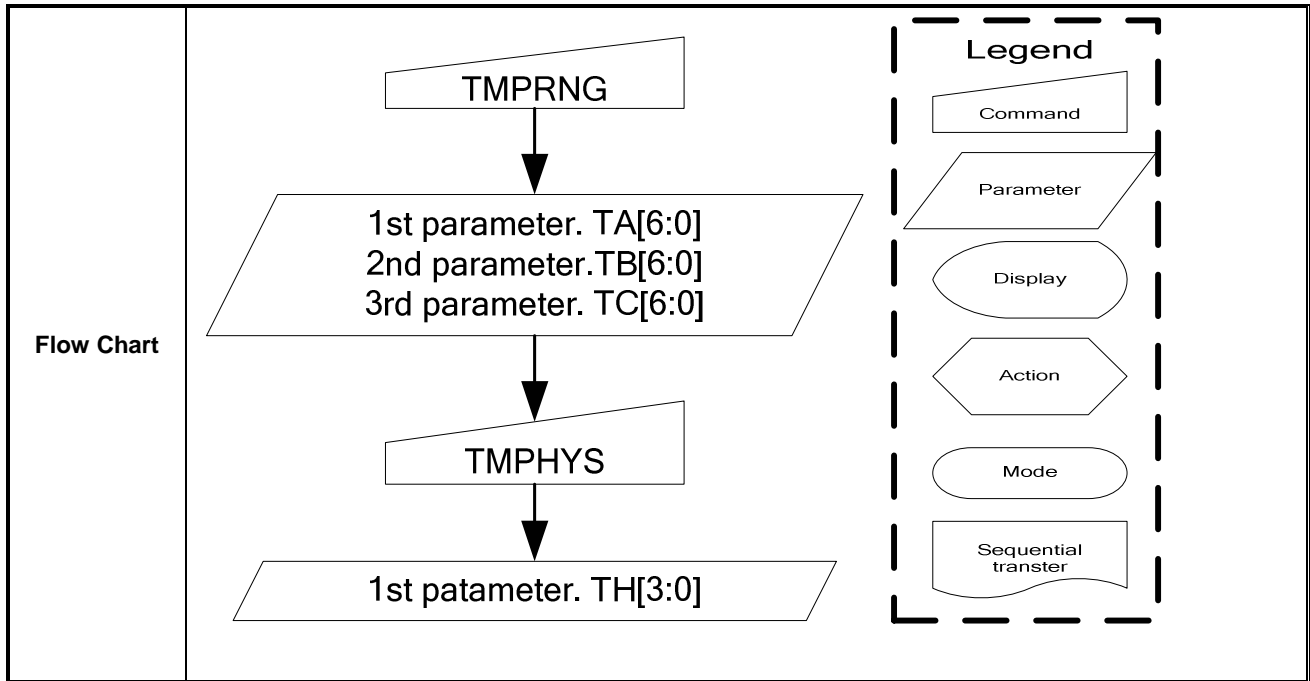
Description	Select Frame Freq. in normal display mode.(idle;8 color mode) 1 st parameter : Frame freq. value set in TEMP range 30(-30°C) to TA 2 nd parameter : Frame freq. value set in TEMP range TA to TB 3 rd parameter : Frame freq. value set in TEMP range TB to TC 4 th parameter : Frame freq. value set in TEMP range TC to 145(90°C)																											
	Restriction																											
Register Availability	<table border="1"> <thead> <tr> <th>Status</th> <th>Availability</th> </tr> </thead> <tbody> <tr> <td>Normal Mode On, Idle Mode Off, Sleep Out</td> <td>Yes</td> </tr> <tr> <td>Normal Mode On, Idle Mode On, Sleep Out</td> <td>Yes</td> </tr> <tr> <td>Partial Mode On, Idle Mode Off, Sleep Out</td> <td>Yes</td> </tr> <tr> <td>Partial Mode On, Idle Mode On, Sleep Out</td> <td>Yes</td> </tr> <tr> <td>Sleep In</td> <td>Yes</td> </tr> </tbody> </table>				Status	Availability	Normal Mode On, Idle Mode Off, Sleep Out	Yes	Normal Mode On, Idle Mode On, Sleep Out	Yes	Partial Mode On, Idle Mode Off, Sleep Out	Yes	Partial Mode On, Idle Mode On, Sleep Out	Yes	Sleep In	Yes												
	Status	Availability																										
	Normal Mode On, Idle Mode Off, Sleep Out	Yes																										
	Normal Mode On, Idle Mode On, Sleep Out	Yes																										
	Partial Mode On, Idle Mode Off, Sleep Out	Yes																										
	Partial Mode On, Idle Mode On, Sleep Out	Yes																										
Sleep In	Yes																											
Default	<table border="1"> <thead> <tr> <th rowspan="2">Status</th> <th colspan="4">Default Value</th> </tr> <tr> <th>FA[4:0]</th> <th>FB[4:0]</th> <th>FC[4:0]</th> <th>FD[4:0]</th> </tr> </thead> <tbody> <tr> <td>Power On Sequence</td> <td>06h</td> <td>0Bh</td> <td>0Dh</td> <td>12h</td> </tr> <tr> <td>S/W Reset</td> <td>06h</td> <td>0Bh</td> <td>0Dh</td> <td>12h</td> </tr> <tr> <td>H/W Reset</td> <td>06h</td> <td>0Bh</td> <td>0Dh</td> <td>12h</td> </tr> </tbody> </table>				Status	Default Value				FA[4:0]	FB[4:0]	FC[4:0]	FD[4:0]	Power On Sequence	06h	0Bh	0Dh	12h	S/W Reset	06h	0Bh	0Dh	12h	H/W Reset	06h	0Bh	0Dh	12h
	Status	Default Value																										
		FA[4:0]	FB[4:0]	FC[4:0]	FD[4:0]																							
	Power On Sequence	06h	0Bh	0Dh	12h																							
	S/W Reset	06h	0Bh	0Dh	12h																							
H/W Reset	06h	0Bh	0Dh	12h																								



8.1.61. Tmprng: Temp. range set for Frame Freq. Adj. (F2H)

	A0	RD	WR	D7	D6	D5	D4	D3	D2	D1	D0	HEX
Command	0	1	0	1	1	1	1	0	0	1	0	(F2h)
1 st parameter	1	1	0	-	TA6	TA5	TA4	TA3	TA2	TA1	TA0	Range A
2 nd parameter	1	1	0	-	TB6	TB5	TB4	TB3	TB2	TB1	TB0	Range B
3 rd parameter	1	1	0	-	TC6	TC5	TC4	TC3	TC2	TC1	TC0	Range C

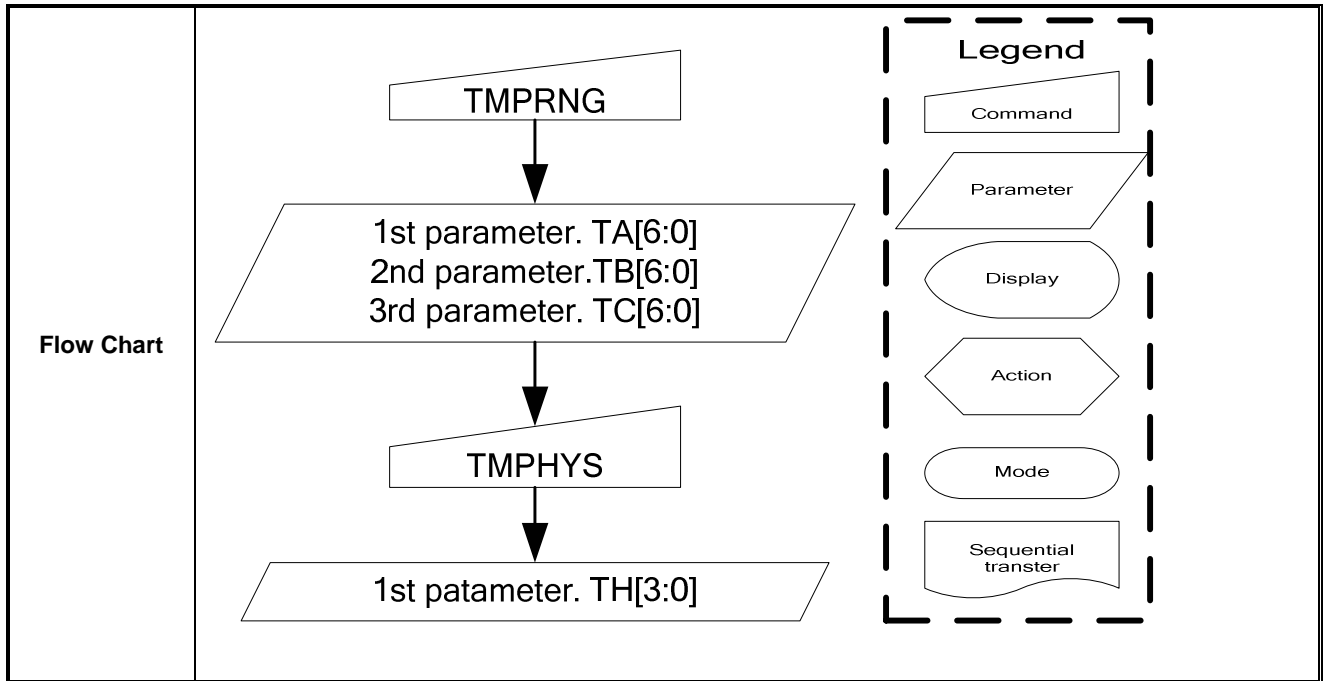
Description	<p>Temp. range set for automatic frame freq. adj. operation according the current temp. value.</p> <p>1st parameter: Temp. range A value set</p> <p>2nd parameter: Temp. range B value set</p> <p>3rd parameter: Temp. range C value set</p> <p>TA/TB/TC Temperature(°C) + 40 = TA/TB/TC[6 :0]</p> <p>Example:</p> <p>If TA wants to be set at 24°C, TA[6:0]=24+40=64(40h),</p>																			
Restriction	$-40^{\circ}\text{C} \leq \text{TA} \leq \text{TA}+\text{TH} \leq \text{TB} \leq \text{TB}+\text{TH} \leq \text{TC} \leq 87^{\circ}\text{C}$																			
Register Availability	<table border="1" style="margin-left: auto; margin-right: auto;"> <thead> <tr> <th>Status</th> <th>Availability</th> </tr> </thead> <tbody> <tr> <td>Normal Mode On, Idle Mode Off, Sleep Out</td> <td>Yes</td> </tr> <tr> <td>Normal Mode On, Idle Mode On, Sleep Out</td> <td>Yes</td> </tr> <tr> <td>Partial Mode On, Idle Mode Off, Sleep Out</td> <td>Yes</td> </tr> <tr> <td>Partial Mode On, Idle Mode On, Sleep Out</td> <td>Yes</td> </tr> <tr> <td>Sleep In</td> <td>Yes</td> </tr> </tbody> </table>	Status	Availability	Normal Mode On, Idle Mode Off, Sleep Out	Yes	Normal Mode On, Idle Mode On, Sleep Out	Yes	Partial Mode On, Idle Mode Off, Sleep Out	Yes	Partial Mode On, Idle Mode On, Sleep Out	Yes	Sleep In	Yes							
Status	Availability																			
Normal Mode On, Idle Mode Off, Sleep Out	Yes																			
Normal Mode On, Idle Mode On, Sleep Out	Yes																			
Partial Mode On, Idle Mode Off, Sleep Out	Yes																			
Partial Mode On, Idle Mode On, Sleep Out	Yes																			
Sleep In	Yes																			
Default	<table border="1" style="margin-left: auto; margin-right: auto;"> <thead> <tr> <th rowspan="2">Status</th> <th colspan="3">Default Value</th> </tr> <tr> <th>TA[6:0]</th> <th>TB[6:0]</th> <th>TC[6:0]</th> </tr> </thead> <tbody> <tr> <td>Power On Sequence</td> <td>1Eh</td> <td>28h</td> <td>32h</td> </tr> <tr> <td>S/W Reset</td> <td>1Eh</td> <td>28h</td> <td>32h</td> </tr> <tr> <td>H/W Reset</td> <td>1Eh</td> <td>28h</td> <td>32h</td> </tr> </tbody> </table>	Status	Default Value			TA[6:0]	TB[6:0]	TC[6:0]	Power On Sequence	1Eh	28h	32h	S/W Reset	1Eh	28h	32h	H/W Reset	1Eh	28h	32h
Status	Default Value																			
	TA[6:0]	TB[6:0]	TC[6:0]																	
Power On Sequence	1Eh	28h	32h																	
S/W Reset	1Eh	28h	32h																	
H/W Reset	1Eh	28h	32h																	



8.1.62. TMPHYS: Temp. Hysteresis Set for Frame Freq. Adj. (F3H)

	A0	RD	WR	D7	D6	D5	D4	D3	D2	D1	D0	HEX
Command	0	1	0	1	1	1	1	0	0	1	1	(F3h)
1 st parameter	1	1	0	-	-	-	-	TH3	TH2	TH1	TH0	

Description	<p>Temp. hysteresis range set for frame freq. adj.</p> <p>Parameter TH[3:0] is used to set Temp. hysteresis range.</p> <p>The relationship between temp. state and temp. range value is shown below.</p> <table border="1" style="margin-left: auto; margin-right: auto;"> <thead> <tr> <th>TEMP Range Value</th> <th>TEMP Rising State</th> <th>TEMP Falling State</th> </tr> </thead> <tbody> <tr> <td>Freq. changing point A</td> <td>TA[6:0]+TH[3:0]</td> <td>TA[6:0]</td> </tr> <tr> <td>Freq. changing point B</td> <td>TB[6:0]+TH[3:0]</td> <td>TB[6:0]</td> </tr> <tr> <td>Freq. changing point C</td> <td>TC[6:0]+TH[3:0]</td> <td>TC[6:0]</td> </tr> </tbody> </table> <p>TH Temperature(°C) – 1 = TH[3:0]</p> <p>Example: If TH wants to set 5°C, TH[3:0]=5-1=4.</p>	TEMP Range Value	TEMP Rising State	TEMP Falling State	Freq. changing point A	TA[6:0]+TH[3:0]	TA[6:0]	Freq. changing point B	TB[6:0]+TH[3:0]	TB[6:0]	Freq. changing point C	TC[6:0]+TH[3:0]	TC[6:0]
TEMP Range Value	TEMP Rising State	TEMP Falling State											
Freq. changing point A	TA[6:0]+TH[3:0]	TA[6:0]											
Freq. changing point B	TB[6:0]+TH[3:0]	TB[6:0]											
Freq. changing point C	TC[6:0]+TH[3:0]	TC[6:0]											
Restriction	Temp. hysteresis value should be smaller than the gap of temp. range.												
Register Availability	<table border="1" style="margin-left: auto; margin-right: auto;"> <thead> <tr> <th>Status</th> <th>Availability</th> </tr> </thead> <tbody> <tr> <td>Normal Mode On, Idle Mode Off, Sleep Out</td> <td>Yes</td> </tr> <tr> <td>Normal Mode On, Idle Mode On, Sleep Out</td> <td>Yes</td> </tr> <tr> <td>Partial Mode On, Idle Mode Off, Sleep Out</td> <td>Yes</td> </tr> <tr> <td>Partial Mode On, Idle Mode On, Sleep Out</td> <td>Yes</td> </tr> <tr> <td>Sleep In</td> <td>Yes</td> </tr> </tbody> </table>	Status	Availability	Normal Mode On, Idle Mode Off, Sleep Out	Yes	Normal Mode On, Idle Mode On, Sleep Out	Yes	Partial Mode On, Idle Mode Off, Sleep Out	Yes	Partial Mode On, Idle Mode On, Sleep Out	Yes	Sleep In	Yes
Status	Availability												
Normal Mode On, Idle Mode Off, Sleep Out	Yes												
Normal Mode On, Idle Mode On, Sleep Out	Yes												
Partial Mode On, Idle Mode Off, Sleep Out	Yes												
Partial Mode On, Idle Mode On, Sleep Out	Yes												
Sleep In	Yes												
Default	<table border="1" style="margin-left: auto; margin-right: auto;"> <thead> <tr> <th>Status</th> <th>Default Value(TH[3:0])</th> </tr> </thead> <tbody> <tr> <td>Power On Sequence</td> <td>02h</td> </tr> <tr> <td>S/W Reset</td> <td>02h</td> </tr> <tr> <td>H/W Reset</td> <td>02h</td> </tr> </tbody> </table>	Status	Default Value(TH[3:0])	Power On Sequence	02h	S/W Reset	02h	H/W Reset	02h				
Status	Default Value(TH[3:0])												
Power On Sequence	02h												
S/W Reset	02h												
H/W Reset	02h												



8.1.63. TEMPSEL: Temperature Gradient Compensation Coefficient Set (F4H)

NOTE: “-“ Don't care

Command	A0	/RD	/WR	D7	D6	D5	D4	D3	D2	D1	D0	Hex
TEMPSEL	0	1	0	1	1	1	1	0	1	0	0	(F4h)
1 st parameter	1	1	0	MT13	MT12	MT11	MT10	MT03	MT02	MT01	MT00	MT1x: (-24 °C to -32 °C) MT0x: (-32 °C to -40 °C)
2 nd parameter	1	1	0	MT33	MT32	MT31	MT30	MT23	MT22	MT21	MT20	MT3x: (-8 °C to -16 °C) MT2x: (-16 °C to -24 °C)
3 rd parameter	1	1	0	MT53	MT52	MT51	MT50	MT43	MT42	MT41	MT40	MT5x: (8 °C to 0 °C) MT4x: (0 °C to -8 °C)
4 th parameter	1	1	0	MT73	MT72	MT71	MT70	MT63	MT62	MT61	MT60	MT7x: (24 °C to 16 °C) MT6x: (16 °C to 8 °C)
5 th parameter	1	1	0	MT93	MT92	MT91	MT90	MT83	MT82	MT81	MT80	MT9x: (40 °C to 32 °C) MT8x: (32 °C to 24 °C)
6 th parameter	1	1	0	MTB3	MTB2	MTB1	MTB0	MTA3	MTA2	MTA1	MTA0	MTBx: (56 °C to 48 °C) MTAx: (48 °C to 40 °C)
7 th parameter	1	1	0	MTD3	MTD2	MTD1	MTD0	MTC3	MTC2	MTC1	MTC0	MTDx: (72 °C to 64 °C) MTCx: (64 °C to 56 °C)
8 th parameter	1	1	0	MTF3	MTF2	MTF1	MTF0	MTE3	MTE2	MTE1	MTE0	MTFx: (87 °C to 80 °C) MTEx: (80 °C to 72 °C)

Description	This command defines temperature gradient compensation coefficient. For this command detail description and operation, please see Section 7.10.					
	Parameter n	MT n 3	MT n 2	MT n 1	MT n 0	Voltage / °C
	0	0	0	0	0	+5 mv / °C
	1	0	0	0	1	0 mv / °C
	2	0	0	1	0	-5 mv / °C
	3	0	0	1	1	-10 mv / °C
	:	:	:	:	:	:
	:	:	:	:	:	:
	:	:	:	:	:	:
	12	1	1	0	0	-55 mv / °C
	13	1	1	0	1	-60 mv / °C
	14	1	1	1	0	-65 mv / °C
	15	1	1	1	1	-70 mv / °C
	Voltage / °C (+/- 3mv tolerance)					

Restriction	Please refer to the specification in absolute maximum ratings for operating voltage range.													
Register Availability	<table border="1"> <thead> <tr> <th>Status</th> <th>Availability</th> </tr> </thead> <tbody> <tr> <td>Normal Mode On, Idle Mode Off, Sleep Out</td> <td>Yes</td> </tr> <tr> <td>Normal Mode On, Idle Mode On, Sleep Out</td> <td>Yes</td> </tr> <tr> <td>Partial Mode On, Idle Mode Off, Sleep Out</td> <td>Yes</td> </tr> <tr> <td>Partial Mode On, Idle Mode On, Sleep Out</td> <td>Yes</td> </tr> <tr> <td>Sleep In</td> <td>Yes</td> </tr> </tbody> </table>	Status	Availability	Normal Mode On, Idle Mode Off, Sleep Out	Yes	Normal Mode On, Idle Mode On, Sleep Out	Yes	Partial Mode On, Idle Mode Off, Sleep Out	Yes	Partial Mode On, Idle Mode On, Sleep Out	Yes	Sleep In	Yes	
Status	Availability													
Normal Mode On, Idle Mode Off, Sleep Out	Yes													
Normal Mode On, Idle Mode On, Sleep Out	Yes													
Partial Mode On, Idle Mode Off, Sleep Out	Yes													
Partial Mode On, Idle Mode On, Sleep Out	Yes													
Sleep In	Yes													
Default	<table border="1"> <thead> <tr> <th>Status</th> <th>Default Value (MTn[3:0])</th> </tr> </thead> <tbody> <tr> <td>Power On Sequence</td> <td>--</td> </tr> <tr> <td>S/W Reset</td> <td>--</td> </tr> <tr> <td>H/W Reset</td> <td>--</td> </tr> </tbody> </table>	Status	Default Value (MTn[3:0])	Power On Sequence	--	S/W Reset	--	H/W Reset	--					
Status	Default Value (MTn[3:0])													
Power On Sequence	--													
S/W Reset	--													
H/W Reset	--													
Flow Chart														

NOTE:

The default value of temperature gradient compensation coefficient Set

1 st parameter	0xFF
2 nd parameter	0x36
3 rd parameter	0x04
4 th parameter	0x00
5 th parameter	0x33
6 th parameter	0x42
7 th parameter	0xC4
8 th parameter	0x59

8.1.64. THYS : Temperature detection threshold(F7H)

NOTE: "-" Don't care

Command	A0	/RD	/WR	D7	D6	D5	D4	D3	D2	D1	D0	Hex
THYS	0	1	0	1	1	1	1	0	1	1	1	(F7h)
Parameter	1	1	0	THYS7	THYS6	THYS5	THYS4	THYS3	THYS2	THYS1	THYS0	-

Description	Temperature detection threshold setting.													
Restriction														
Register Availability	<table border="1"> <thead> <tr> <th>Status</th> <th>Availability</th> </tr> </thead> <tbody> <tr> <td>Normal Mode On, Idle Mode Off, Sleep Out</td> <td>Yes</td> </tr> <tr> <td>Normal Mode On, Idle Mode On, Sleep Out</td> <td>Yes</td> </tr> <tr> <td>Partial Mode On, Idle Mode Off, Sleep Out</td> <td>Yes</td> </tr> <tr> <td>Partial Mode On, Idle Mode On, Sleep Out</td> <td>Yes</td> </tr> <tr> <td>Sleep In</td> <td>Yes</td> </tr> </tbody> </table>	Status	Availability	Normal Mode On, Idle Mode Off, Sleep Out	Yes	Normal Mode On, Idle Mode On, Sleep Out	Yes	Partial Mode On, Idle Mode Off, Sleep Out	Yes	Partial Mode On, Idle Mode On, Sleep Out	Yes	Sleep In	Yes	
Status	Availability													
Normal Mode On, Idle Mode Off, Sleep Out	Yes													
Normal Mode On, Idle Mode On, Sleep Out	Yes													
Partial Mode On, Idle Mode Off, Sleep Out	Yes													
Partial Mode On, Idle Mode On, Sleep Out	Yes													
Sleep In	Yes													
Default	<table border="1"> <thead> <tr> <th>Status</th> <th>Default Value D[7:0]</th> </tr> </thead> <tbody> <tr> <td>Power On Sequence</td> <td>08h</td> </tr> <tr> <td>S/W Reset</td> <td>08h</td> </tr> <tr> <td>H/W Reset</td> <td>08h</td> </tr> </tbody> </table>	Status	Default Value D[7:0]	Power On Sequence	08h	S/W Reset	08h	H/W Reset	08h					
Status	Default Value D[7:0]													
Power On Sequence	08h													
S/W Reset	08h													
H/W Reset	08h													
Flow Chart	<p>The flow chart shows a trapezoidal symbol labeled 'THYS' with an arrow pointing down to a parallelogram symbol labeled 'D[7:0]'. To the right is a legend box containing symbols for Command, Parameter, Display, Action, Mode, and Sequential transfer.</p>													

8.1.65. Frame Set: Frame PWM Set (F9H)

NOTE: "-- Don't care

Command	A0	/RD	/WR	D7	D6	D5	D4	D3	D2	D1	D0	Hex
Frame1 Set	0	1	0	1	1	1	1	1	0	0	1	(F9h)
1 st parameter	1	1	0	-	-	-	P14	P13	P12	P11	P10	-
2 nd parameter	1	1	0	-	-	-	P24	P23	P22	P21	P20	-
:	:	:	:	:	:	:	:	:	:	:	:	-
15 th parameter	1	1	0	-	-	-	P154	P153	P152	P151	P150	-
16 th parameter	1	1	0	-	-	-	P164	P163	P162	P161	P160	-

Description	This command is used to set frame PWM.												
Restriction													
Register Availability	<table border="1"> <thead> <tr> <th>Status</th> <th>Availability</th> </tr> </thead> <tbody> <tr> <td>Normal Mode On, Idle Mode Off, Sleep Out</td> <td>Yes</td> </tr> <tr> <td>Normal Mode On, Idle Mode On, Sleep Out</td> <td>Yes</td> </tr> <tr> <td>Partial Mode On, Idle Mode Off, Sleep Out</td> <td>Yes</td> </tr> <tr> <td>Partial Mode On, Idle Mode On, Sleep Out</td> <td>Yes</td> </tr> <tr> <td>Sleep In</td> <td>Yes</td> </tr> </tbody> </table>	Status	Availability	Normal Mode On, Idle Mode Off, Sleep Out	Yes	Normal Mode On, Idle Mode On, Sleep Out	Yes	Partial Mode On, Idle Mode Off, Sleep Out	Yes	Partial Mode On, Idle Mode On, Sleep Out	Yes	Sleep In	Yes
Status	Availability												
Normal Mode On, Idle Mode Off, Sleep Out	Yes												
Normal Mode On, Idle Mode On, Sleep Out	Yes												
Partial Mode On, Idle Mode Off, Sleep Out	Yes												
Partial Mode On, Idle Mode On, Sleep Out	Yes												
Sleep In	Yes												
Default	<table border="1"> <thead> <tr> <th>Status</th> <th>Default Value</th> </tr> </thead> <tbody> <tr> <td>Power On Sequence</td> <td>--</td> </tr> <tr> <td>S/W Reset</td> <td>--</td> </tr> <tr> <td>H/W Reset</td> <td>--</td> </tr> </tbody> </table>	Status	Default Value	Power On Sequence	--	S/W Reset	--	H/W Reset	--				
Status	Default Value												
Power On Sequence	--												
S/W Reset	--												
H/W Reset	--												
Flow Chart	<p>The flow chart illustrates the process of setting frame PWM. It starts with a trapezoidal shape representing the 'Frame 1 Set' command, which points down to a parallelogram representing the '1st ~ 16th parameters'. A legend on the right side of the diagram defines the symbols used: a trapezoid for 'Command', a parallelogram for 'Parameter', an oval for 'Display', a hexagon for 'Action', a rounded rectangle for 'Mode', and a wavy rectangle for 'Sequential transfer'.</p>												

NOTE:

The default value of RGB level set

RGB level0	00
RGB level1	02
RGB level2	04
RGB level3	06
RGB level4	08
RGB level5	0A
RGB level6	0C
RGB level7	0E
RGB level8	10
RGB level9	12
RGB level10	14
RGB level11	16
RGB level12	18
RGB level13	1A
RGB level14	1C
RGB level15	1E

All the modulation range of each level for each frame is from 00'H to 1F'H.

8.1.66. EEPANFSEL: EEPROM Function Selection (FAH)

NOTE: "-" Don't care

Command	A0	/RD	/WR	D7	D6	D5	D4	D3	D2	D1	D0	Hex
THYS	0	1	0	1	1	1	1	1	0	1	0	(FAh)
Parameter	1	1	0	0	0	0	0	-	ERAE	WRE	-	-

Description	ERAE : EEPROM erase enable control, 1: EEPROM erase enable, 0 : EEPROM erase disable WRE : EEPROM write enable control, 1: EEPROM write enable, 0 : EEPROM write disable												
Restriction													
Register Availability	<table border="1"> <thead> <tr> <th>Status</th> <th>Availability</th> </tr> </thead> <tbody> <tr> <td>Normal Mode On, Idle Mode Off, Sleep Out</td> <td>Yes</td> </tr> <tr> <td>Normal Mode On, Idle Mode On, Sleep Out</td> <td>Yes</td> </tr> <tr> <td>Partial Mode On, Idle Mode Off, Sleep Out</td> <td>Yes</td> </tr> <tr> <td>Partial Mode On, Idle Mode On, Sleep Out</td> <td>Yes</td> </tr> <tr> <td>Sleep In</td> <td>Yes</td> </tr> </tbody> </table>	Status	Availability	Normal Mode On, Idle Mode Off, Sleep Out	Yes	Normal Mode On, Idle Mode On, Sleep Out	Yes	Partial Mode On, Idle Mode Off, Sleep Out	Yes	Partial Mode On, Idle Mode On, Sleep Out	Yes	Sleep In	Yes
Status	Availability												
Normal Mode On, Idle Mode Off, Sleep Out	Yes												
Normal Mode On, Idle Mode On, Sleep Out	Yes												
Partial Mode On, Idle Mode Off, Sleep Out	Yes												
Partial Mode On, Idle Mode On, Sleep Out	Yes												
Sleep In	Yes												
Default	<table border="1"> <thead> <tr> <th>Status</th> <th>Default ValueD[7:0]</th> </tr> </thead> <tbody> <tr> <td>Power On Sequence</td> <td>08h</td> </tr> <tr> <td>S/W Reset</td> <td>08h</td> </tr> <tr> <td>H/W Reset</td> <td>08h</td> </tr> </tbody> </table>	Status	Default ValueD[7:0]	Power On Sequence	08h	S/W Reset	08h	H/W Reset	08h				
Status	Default ValueD[7:0]												
Power On Sequence	08h												
S/W Reset	08h												
H/W Reset	08h												
Flow Chart	<pre> graph TD EEPCIN[EEPCIN] --> EEPANFSEL[/EEPANFSEL/] EEPANFSEL --> EEPWR{{EEPWR}} EEPWR --> EEPCOUT[/EEPCOUT/] </pre> <p>Legend</p> <ul style="list-style-type: none"> Command: Rectangle Parameter: Parallelogram Display: Oval Action: Hexagon Mode: Rounded rectangle Sequential transfer: Dashed line 												

8.1.67. EEPERS: Erase EEPROM (FBH)

NOTE: “-“ Don't care

Command	A0	/RD	/WR	D7	D6	D5	D4	D3	D2	D1	D0	Hex
EEPCOUT	0	1	0	1	1	1	1	1	0	1	1	(FBh)

Description	Erase EEPROM												
Restriction													
Register Availability	<table border="1"> <thead> <tr> <th>Status</th> <th>Availability</th> </tr> </thead> <tbody> <tr> <td>Normal Mode On, Idle Mode Off, Sleep Out</td> <td>Yes</td> </tr> <tr> <td>Normal Mode On, Idle Mode On, Sleep Out</td> <td>Yes</td> </tr> <tr> <td>Partial Mode On, Idle Mode Off, Sleep Out</td> <td>Yes</td> </tr> <tr> <td>Partial Mode On, Idle Mode On, Sleep Out</td> <td>Yes</td> </tr> <tr> <td>Sleep In</td> <td>Yes</td> </tr> </tbody> </table>	Status	Availability	Normal Mode On, Idle Mode Off, Sleep Out	Yes	Normal Mode On, Idle Mode On, Sleep Out	Yes	Partial Mode On, Idle Mode Off, Sleep Out	Yes	Partial Mode On, Idle Mode On, Sleep Out	Yes	Sleep In	Yes
Status	Availability												
Normal Mode On, Idle Mode Off, Sleep Out	Yes												
Normal Mode On, Idle Mode On, Sleep Out	Yes												
Partial Mode On, Idle Mode Off, Sleep Out	Yes												
Partial Mode On, Idle Mode On, Sleep Out	Yes												
Sleep In	Yes												
Default	<table border="1"> <thead> <tr> <th>Status</th> <th>Default Value</th> </tr> </thead> <tbody> <tr> <td>Power On Sequence</td> <td>--</td> </tr> <tr> <td>S/W Reset</td> <td>--</td> </tr> <tr> <td>H/W Reset</td> <td>--</td> </tr> </tbody> </table>	Status	Default Value	Power On Sequence	--	S/W Reset	--	H/W Reset	--				
Status	Default Value												
Power On Sequence	--												
S/W Reset	--												
H/W Reset	--												
Flow Chart	<pre> graph TD EEPCIN[/EEPCIN/] --> EEPANFSEL[/EEPANFSEL/] EEPANFSEL --> EEPERS[/EEPERS/] EEPERS --> EEPCOUT[/EEPCOUT/] </pre> <p>Legend</p> <ul style="list-style-type: none"> Command: Trapezoid Parameter: Parallelogram Display: Oval Action: Hexagon Mode: Rounded rectangle Sequential transfer: Wavy rectangle 												

9. SPECIFICATIONS

9.1 Absolute Maximum Ratings

(VSS = 0V)

Item	Symbol	Value	Unit
Supply voltage 1	VDD	- 0.3 ~ + 3.6	V
Supply voltage 2	VDD2,VDD3,VDD4,VDD5	- 0.3 ~ + 3.6	V
Supply voltage 3	VLCD (V0- XV0)	- 0.3 ~ + 18.0	V
Input voltage range	VIN	- 0.3 ~ VDD + 0.3	V
Operating temperature range	TOPR	- 30 ~ + 85	°C
Storage temperature range	TSTG	- 40 ~ + 125	°C

NOTE:

(1). Voltages are all based on VSS = 0V.

(2). Voltage relationship: V0 > Vg > Vm > VSS > XV0 must always be satisfied.

9.2 DC Characteristics

9.2.1. Basic Characteristics

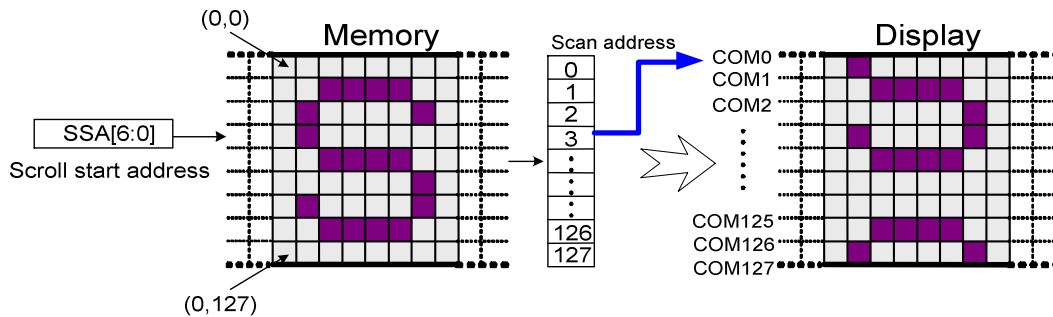
(VSS=0V , Ta = -30 to 85°C)

Parameter	Symbol	Conditions	Related Pins	MIN	TYP	MAX	Unit
Logic Operating voltage	VDDI	-	*2)VDD	1.65	1.8	3.3	V
Analog Operating voltage	VDDA	-	*2)VDD2,3,4,5	2.4	2.8	3.3	
Driving voltage input	VLCD	V0 – XV0	*3)V0, XV0	-	-	18.0	
High level input voltage	VIH		*1) *2)	0.7VDD	-	VDD	
Low level input voltage	VIL	-	*1) *2)	VSS	-	0.3VDD	
High level output voltage	VOH	IOH = -1.0mA	*2) SI, TE	0.8VDD	-	VDD	
Low level output voltage	VOL	IOL = +1.0mA		VSS	-	0.2VDD	
Input leakage current	IIL	VIN = VDD or VSS	*1) *2)	-1.0	-	+1.0	μA
Driver on resistance (SEG)	RONSEG	Vg = 2.8V, Ta=25°C	S0 to S383	-	1	-	KΩ
Driver on resistance (COM)	RONCOM	V0 = 14.0V, Ta=25°C	C0 to C127	-	0.8	-	
Frame rate	FR	Ta=25°C, n-line=0x00, Duty=128, FR=0x12	-	-	77	-	Hz

NOTE:

*1) Applies to IF1, IF2, IF3, /CS, /RST, /WR, /RD, A0(SCL) and D7-D2, D1 (A0), D0(SI) pins

*2) *3) When the measurements are performed with LCD module, Measurement Points are like below.



9.2.2. Current Consumption (Bare die)

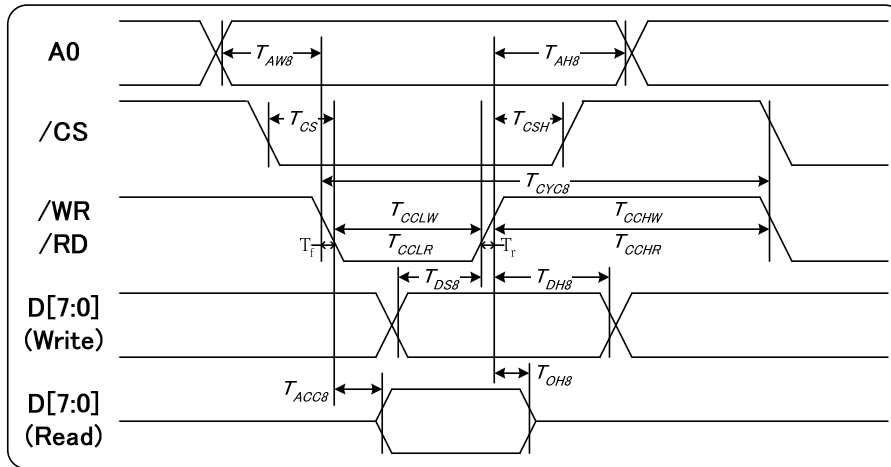
Operation mode	Condition	Current consumption	
		Typical	Maximum
		IDD (mA)	IDD (mA)
- Normal Mode	1. 1/2 gray pattern 2. Vddi=1.8V, Vdda=2.8V 3. Vop=14V, bias=1/9, n-line=0x00, FR=77Hz, x8 booster, Ta=25°C	0.6	0.9
- Sleep In Mode	Vddi=1.8V, Vdda=2.8V, Ta=25°C	0.01	0.02

Note:

The current consumption is DC characteristic.

10. TIMING CHARACTERISTICS

10.1 Parallel Interface Characteristics bus (8080-series MCU)



($V_{DDA}=2.4$ to $3.3V$, $V_{DDi}=1.65$ to $3.3V$, $T_a= 25^\circ C$, die)

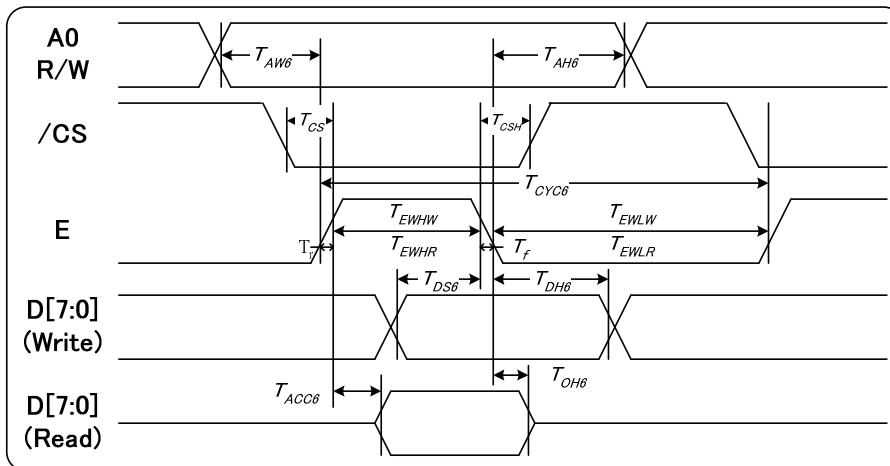
Item	Signal	Symbol	Condition	Rating		Units
				Min.	Max.	
Address hold time	A0	T_{AH8}		0	—	ns
Address setup time		T_{AW8}		0	—	
Chip select setup time	/CS	T_{CS}		10	—	
Chip select hold time		T_{CSH}		10	—	
System cycle time (WRITE)	WR	T_{CYC8}		200	—	
/WR L pulse width (WRITE)		T_{CCLW}		80	—	
/WR H pulse width (WRITE)		T_{CCHW}		90	—	
System cycle time (READ)	RD (ID)	T_{CYC8}	When read ID data	200	—	
/RD L pulse width (READ)		T_{CCLR}		80	—	
/RD H pulse width (READ)		T_{CCHR}		80	—	
System cycle time (READ)	RD (FM)	T_{CYC8}	When read from frame memory	400	—	
/RD L pulse width (READ)		T_{CCLR}		200	—	
/RD H pulse width (READ)		T_{CCHR}		200	—	
WRITE data setup time	D0 to D7	T_{DS8}		15	—	
WRITE data hold time		T_{DH8}		15	—	
READ access time (ID)		T_{ACC8} (ID)		—	60	
READ access time (FM)		T_{ACC8} (FM)	CL = 30 pF	—	90	
READ Output disable time		T_{OH8}	CL = 30 pF	—	80	

*1 The input signal rise time and fall time (T_r , T_f) is specified at 15 ns or less. When the system cycle time is extremely fast, $(T_r + T_f) \leq (T_{CYC8} - T_{CCLW} - T_{CCHW})$ for $(T_r + T_f) \leq (T_{CYC8} - T_{CCLR} - T_{CCHR})$ are specified.

*2 All timing is specified using 20% and 80% of VDD as the reference.

*3 T_{CCLW} and T_{CCLR} are specified as the overlap between /CS being "L" and WR and RD being at the "L" level.

10.2 Parallel Interface Characteristics bus (6800-series MCU)



($V_{DDA}=2.4$ to $3.3V$, $V_{DDI}=1.65$ to $3.3V$, $T_a=25^\circ C$, die)

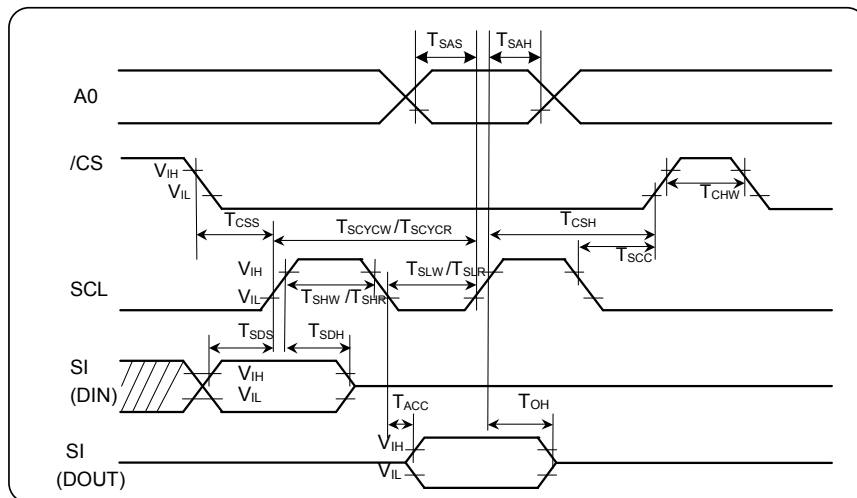
Item	Signal	Symbol	Condition	Rating		Units
				Min.	Max.	
Address hold time	A0	T_{AH6}		0	—	ns
Address setup time		T_{AW6}		0	—	
Chip select setup time	/CS	T_{CS}		10	—	
Chip select hold time		T_{CSH}		10	—	
System cycle time (WRITE)	E	T_{CYC6}		200	—	
Low pulse width (WRITE)		T_{EHLW}		60	—	
High pulse width (WRITE)		T_{EHWLH}		80	—	
System cycle time (READ)	RW (ID)	T_{CYC6}	When read ID data	200	—	
Low pulse width (READ)		T_{EHLR}		70	—	
High pulse width (READ)		T_{EHWHR}		80	—	
System cycle time (READ)	RW (FM)	T_{CYC8}	When read from frame memory	400	—	
Low pulse width (READ)		T_{CCLR}		200	—	
High pulse width (READ)		T_{CCHR}		200	—	
WRITE data setup time	D0 to D7	T_{DS6}		15	—	
WRITE data hold time		T_{DH6}		15	—	
READ access time (ID)		T_{ACC6} (ID)		—	60	
READ access time (FM)		T_{ACC6} (FM)	CL = 30 pF	—	90	
READ Output disable time		T_{OH6}	CL = 30 pF	—	80	

*1 The input signal rise time and fall time (T_r , T_f) is specified at 15 ns or less. When the system cycle time is extremely fast, $(T_r + T_f) \leq (T_{CYC6} - T_{EHLW} - T_{EHWLH})$ for $(T_r + T_f) \leq (T_{CYC6} - T_{EHLR} - T_{EHWHR})$ are specified.

*2 All timing is specified using 20% and 80% of VDD as the reference.

*3 t_{EHLW} and t_{EHLR} are specified as the overlap between /CS being "L" and E.

10.3 Serial Interface Characteristics (4-pin Serial)



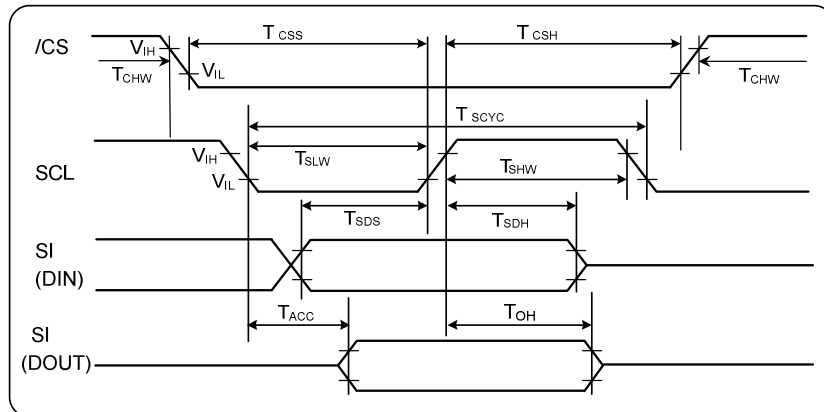
(V_{DDA}=2.4 to 3.3V, V_{DDI}=1.65 to 3.3V, T_a= 25°C, die)

Item	Signal	Symbol	Condition	Rating		Units
				Min.	Max.	
Serial clock period (write)	SCL	T _{SCYCW}		70	—	ns
SCL "H" pulse width (write)		T _{SHW}		35	—	
SCL "L" pulse width (write)		T _{SLW}		35	—	
Serial clock period (read)		T _{SCYCR}		150	—	
SCL "H" pulse width (read)		T _{SHR}		70	—	
SCL "L" pulse width (read)		T _{SLR}		70	—	
Address setup time	A0	T _{SAS}		10	—	
Address hold time		T _{SAH}		10	—	
Data setup time	SI	T _{SDS}		10	—	
Data hold time		T _{SDH}		10	—	
Data access time		T _{ACC}	CL = 30 pF	—	60	
Output disable time		T _{OH}	CL = 30 pF	—	60	
Chip select setup time	/CS	T _{CSS}		35	—	
Chip select hold time		T _{CSH}		35	—	
Chip select "H" pulse width		T _{CHW}		0	—	

*1 The input signal rise and fall time (T_r, T_f) are specified at 15 ns or less.

*2 All timing is specified using 20% and 80% of V_{DD} as the standard.

10.4 Serial Interface Characteristics (3-pin Serial)



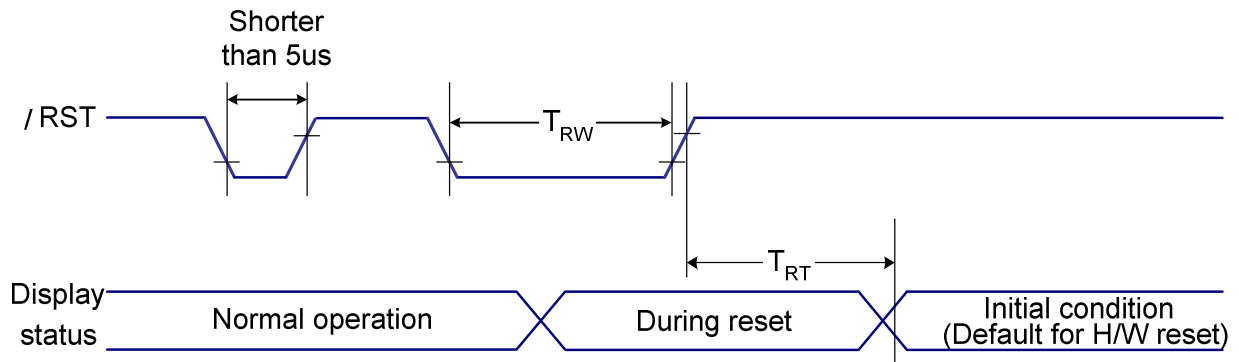
($V_{DDA}=2.4$ to $3.3V$, $V_{DDI}=1.65$ to $3.3V$, $T_a= 25^{\circ}C$, die)

Item	Signal	Symbol	Condition	Rating		Units
				Min.	Max.	
Serial clock period (write)	SCL	T_{SCYC}		70	—	ns
SCL "H" pulse width (write)		T_{SHW}		35	—	
SCL "L" pulse width (write)		T_{SLW}		35	—	
Serial clock period (read)		T_{SCYC}		150	—	
SCL "H" pulse width (read)		T_{SHW}		70	—	
SCL "L" pulse width (read)		T_{SLW}		70	—	
Data setup time	SI	T_{SDS}		10	—	
Data hold time		T_{SDH}		10	—	
Access time		T_{ACC}	CL = 30 pF	—	60	
Output disable time		T_{OH}	CL = 30 pF	—	60	
Chip select setup time	/CS	T_{CSS}		35	—	
Chip select hold time		T_{CSH}		35	—	
Chip select "H" pulse width		T_{CHW}		0	—	

*1 The input signal rise and fall time (T_r , T_f) are specified at 15 ns or less.

*2 All timing is specified using 20% and 80% of VDD as the standard.

11. RESET TIMING



($V_{DDA}=2.4$ to $3.3V$, $V_{DDI}=1.65$ to $3.3V$, $T_a = 25^{\circ}C$)

Item	Signal	Symbol	Condition	Rating		Units
				Min.	Max.	
Reset "L" pulse width	/RST	T_{RW}		10us	—	us
Reset time		T_{RT}		5 (*note 5)	—	ms
Reset time		T_{RT}		120 (*note 6,7)	—	ms

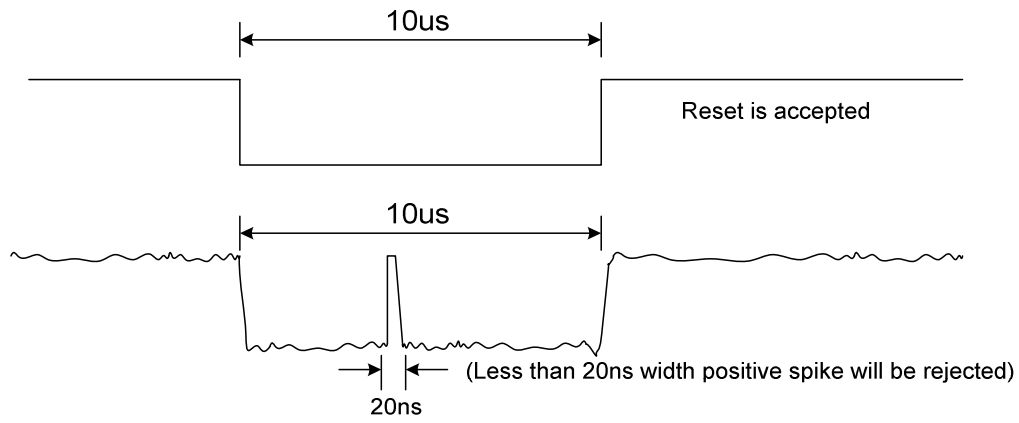
Notes:

1. Spike due to an electrostatic discharge on RST line does not cause irregular system reset according to the table below:

RST Pulse	Action
Shorter than $3\mu s$	Reset Rejected
Longer than $9\mu s$	Reset
Between $3\mu s$ and $9\mu s$	Reset starts

2. During the Resetting period, the display will be blanked (The display is entering blanking sequence, which maximum time is 120 ms, when Reset Starts in Sleep Out –mode. The display remains the blank state in Sleep In –mode.) and then return to Default condition for Hardware Reset.

3. Spike Rejection also applies during a valid reset pulse as shown below:



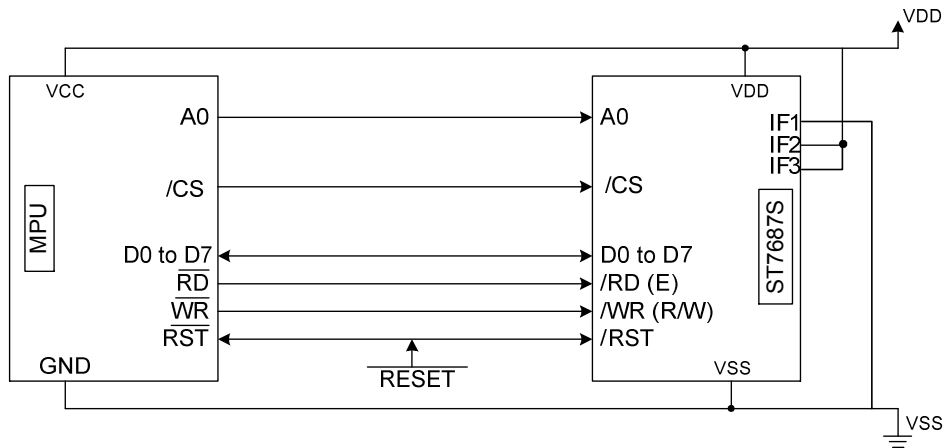
- 5. When Reset applied during Sleep In Mode.
- 6. When Reset applied during Sleep Out Mode.
- 7. It is necessary to wait 5msec after releasing RST before sending commands. Also Sleep Out command cannot be sent for 120msec.

12. THE MPU INTERFACE (REFERENCE EXAMPLES)

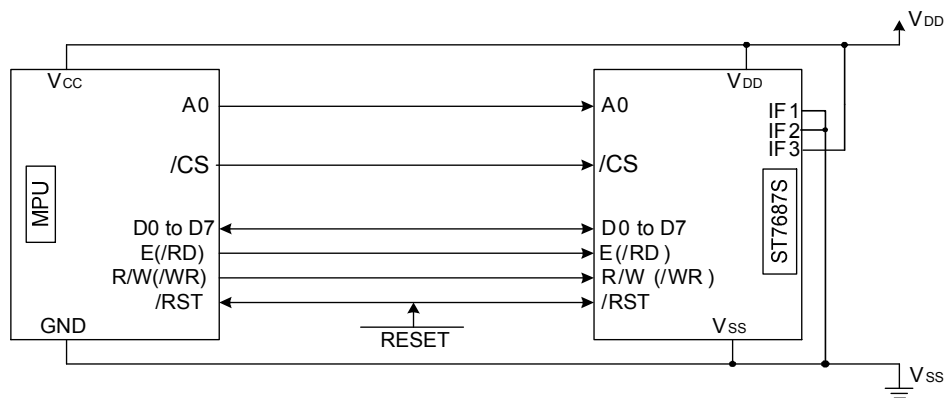
The ST7687S Series can be connected to either 8080 Series MPUs or to 6800 Series MPUs. Moreover, using the serial interface it is possible to operate the ST7687S series chips with fewer signal lines.

The display area can be enlarged by using multiple ST7687S Series chips. When this is done, the chip select signal can be used to select the individual lcs to access.

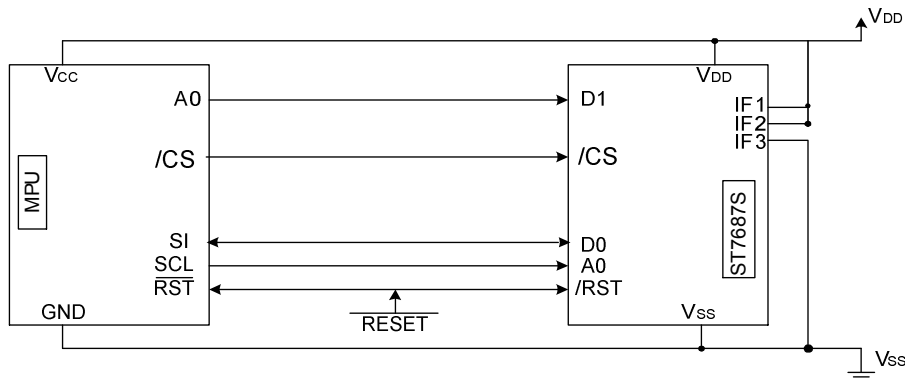
(1) 8080 Series MPUs



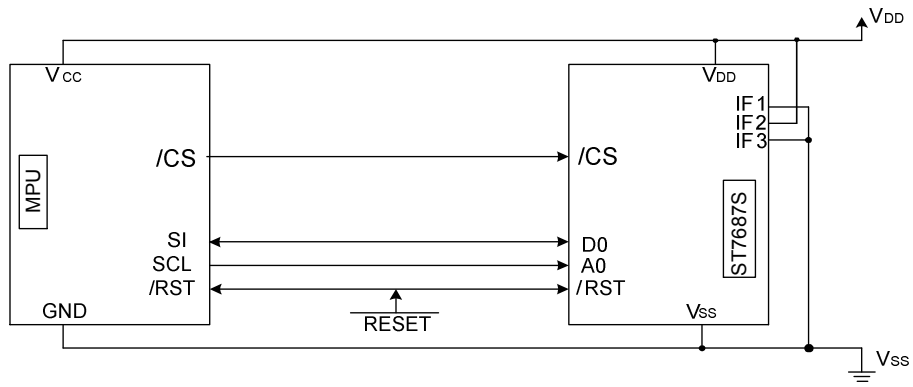
(2) 6800 Series MPUs



(3) Using the Serial Interface (4-line interface)



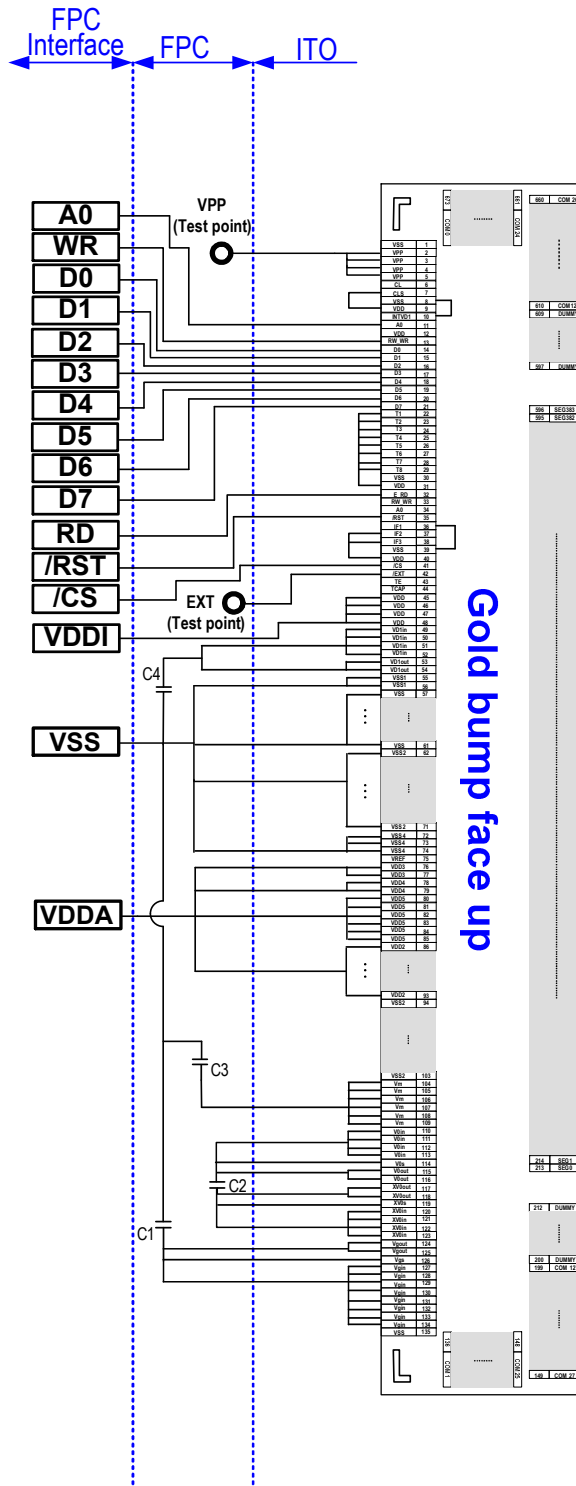
(4) Using the Serial Interface (3-line interface)



A – Application Note

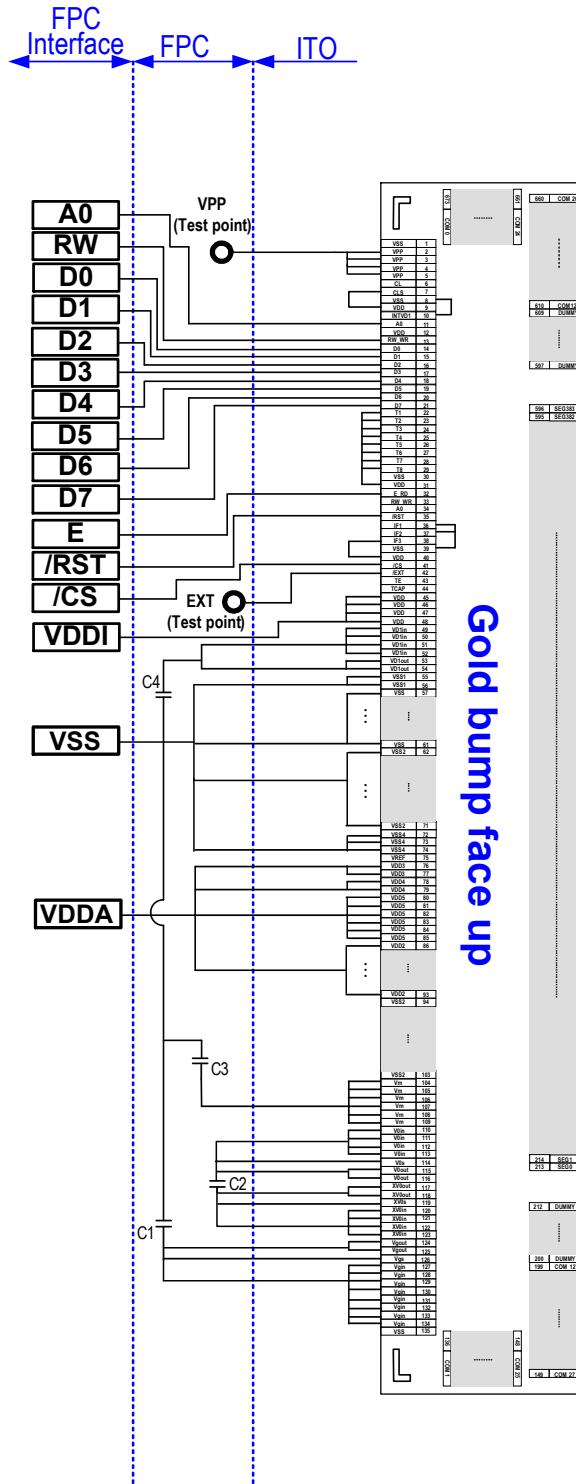
A1a – 80-8bit parallel interlace Mode

Typical VDDI	1.8V/2.8V
VDDA	$2.4V \leq VDDA \leq 3.3V$
IF[3:1]	HHL
CLS	H (internal OSC)
INTVD1	L
C1	1uF/16V
C2	1uF/25V
C3	1uF/16V
C4	1uF/16V (optional)



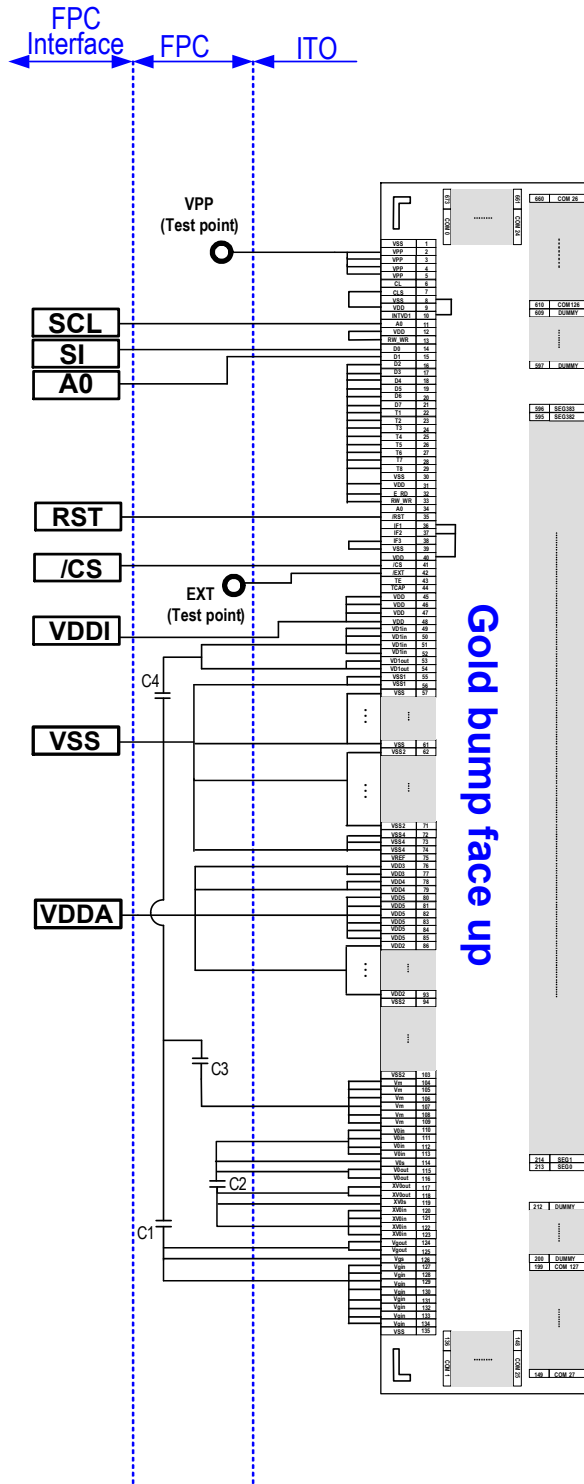
A1c –68-8bit parallel interlace Mode

Typical VDDI	1.8V/2.8V
VDDA	$2.4V \leq VDDA \leq 3.3V$
IF[3:1]	HLL
CLS	H (internal OSC)
INTVD1	L
C1	1uF/16V
C2	1uF/25V
C3	1uF/16V
C4	1uF/16V (optional)



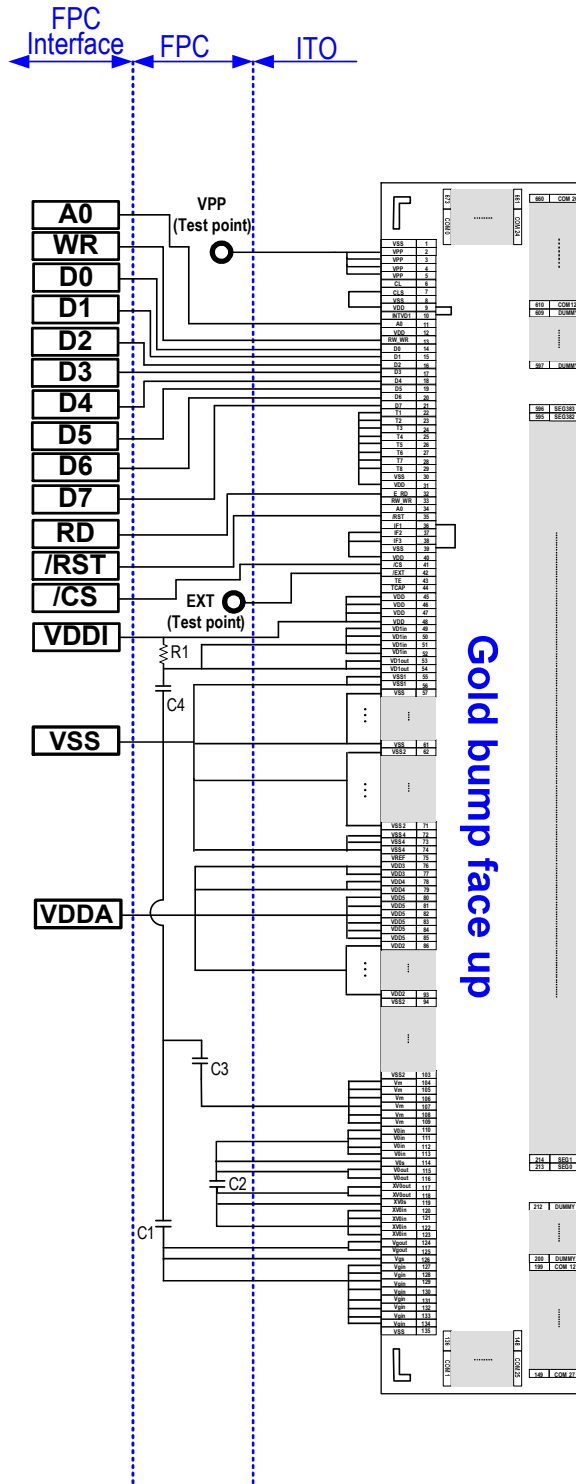
A1f – 4-line serial interlace Mode

Typical VDDI	1.8V/2.8V
VDDA	$2.4V \leq VDDA \leq 3.3V$
IF[3:1]	LHH
CLS	H (internal OSC)
INTVD1	L
C1	1uF/16V
C2	1uF/25V
C3	1uF/16V
C4	1uF/16V (optional)



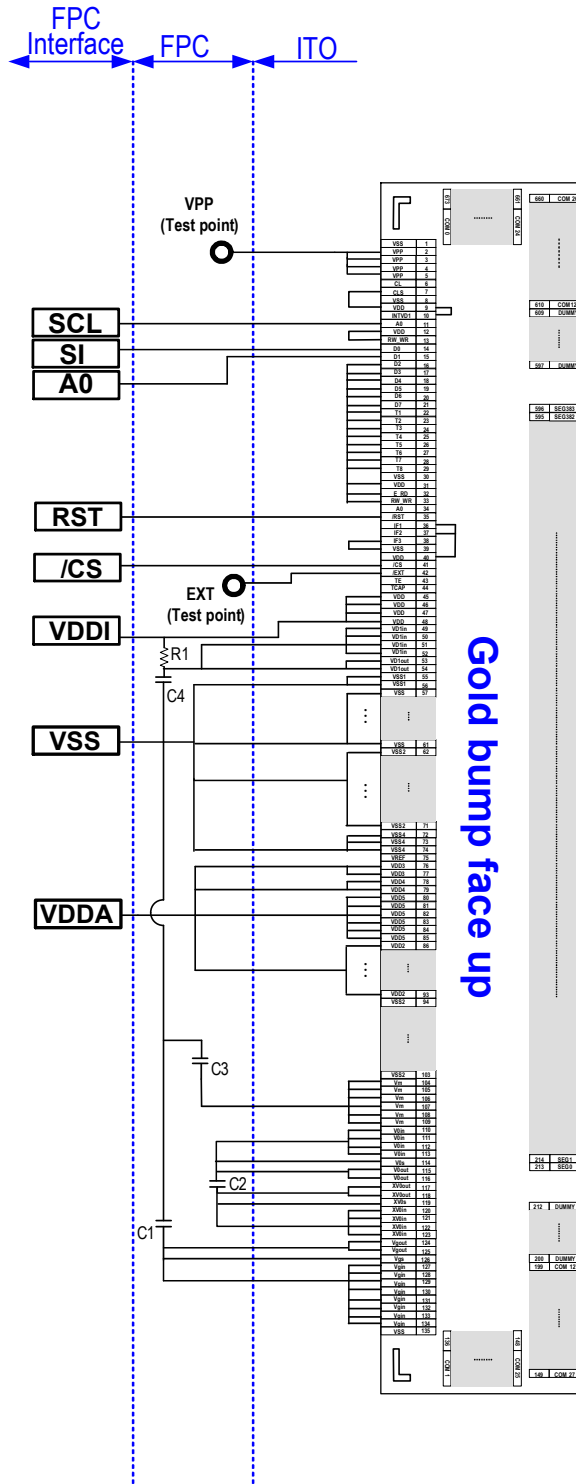
A1g –80-8bit parallel interlace Mode while typical Vddi=3V/3.3V

Typical VDDI	3V/3.3V
VDDA	$2.4V \leq VDDA \leq 3.3V$
IF[3:1]	HHL
CLS	H (internal OSC)
INTVD1	H
C1	1uF/16V
C2	1uF/25V
C3	1uF/16V
C4	1uF/16V
R1	200kΩ

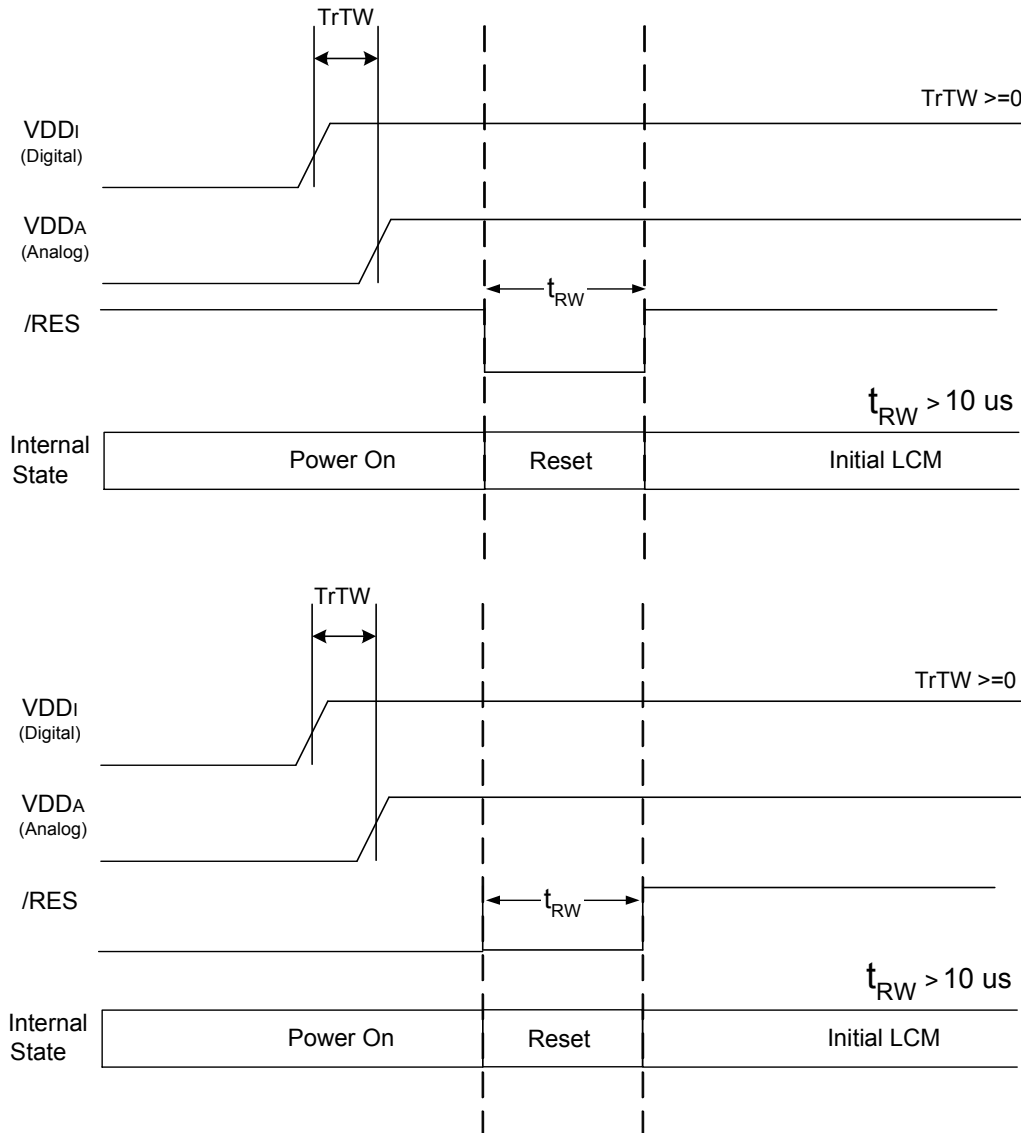
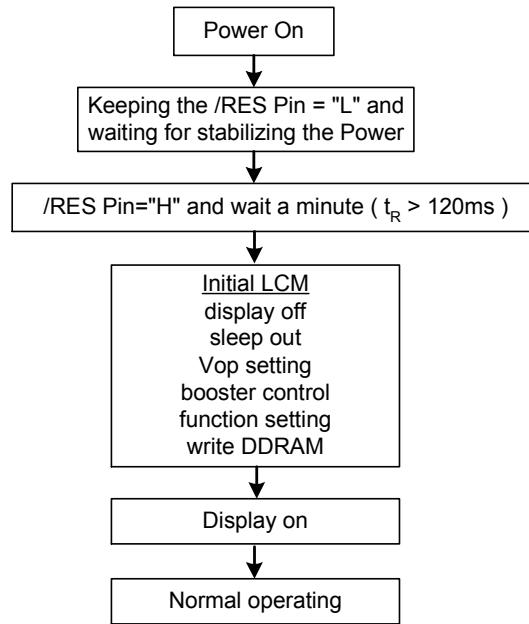


A1h – 4-line serial interlace Mode while typical Vddi=3V/3.3V

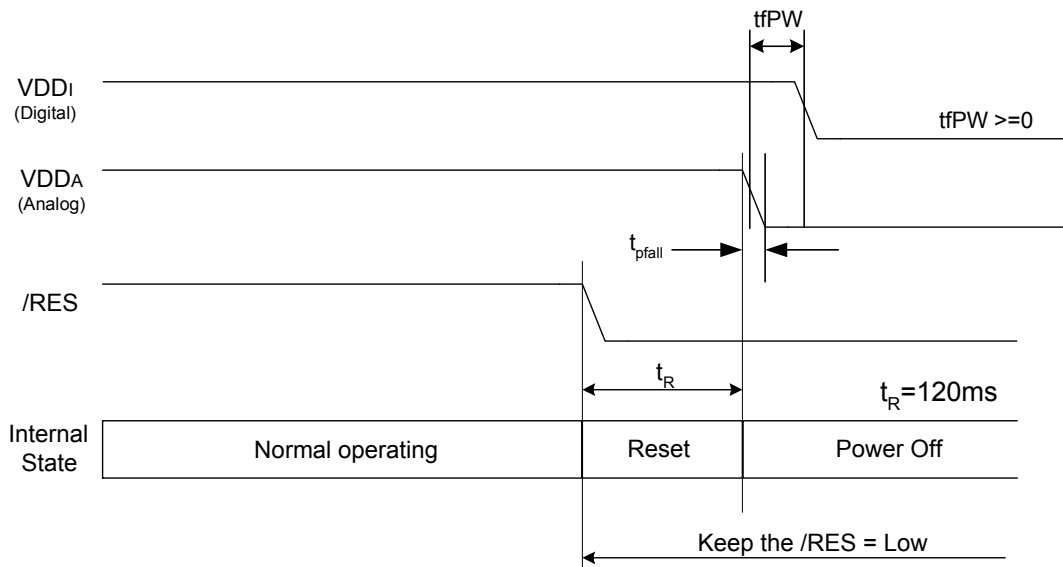
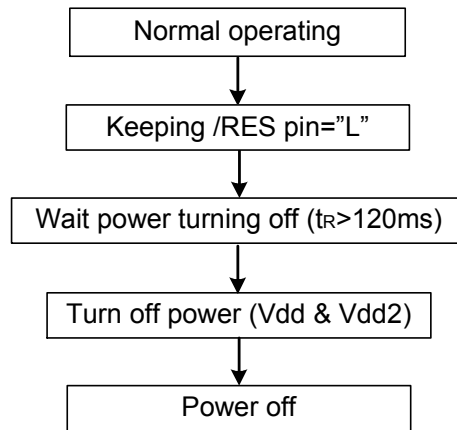
Typical VDDI	3V/3.3V
VDDA	$2.4V \leq VDDA \leq 3.3V$
IF[3:1]	LHH
CLS	H (internal OSC)
INTVD1	H
C1	1uF/16V
C2	1uF/25V
C3	1uF/16V
C4	1uF/16V
R1	200kΩ



A2 – Power on flow and sequence:



◆ A3 – Power off flow and sequence

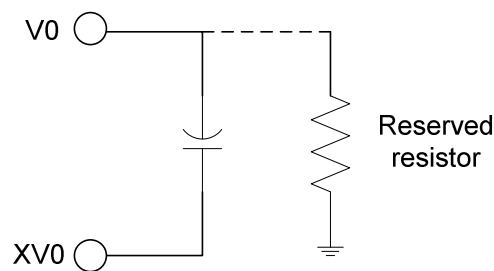


Note:

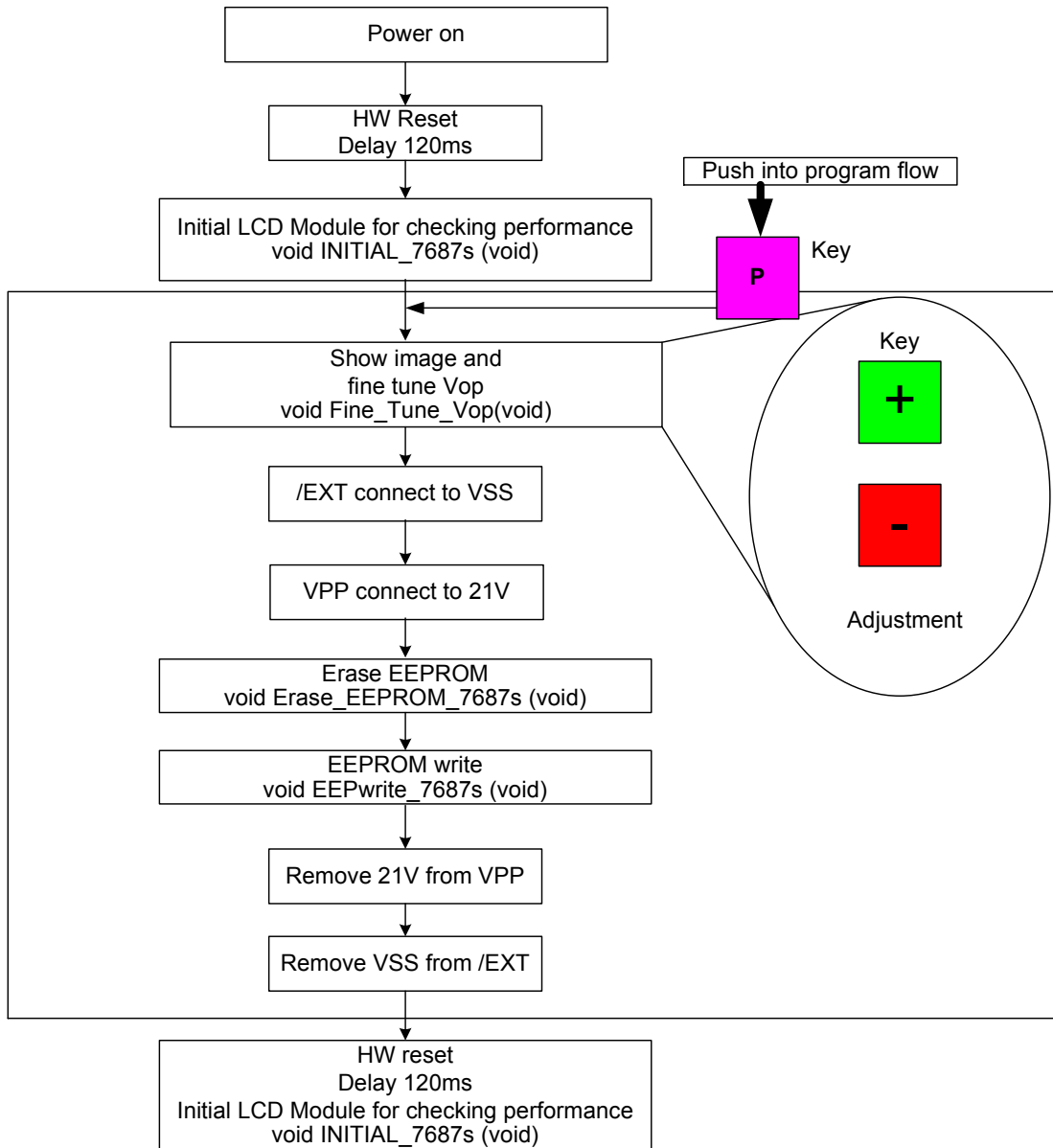
1. When turning VDD_A OFF, the falling time should follow the specification:

$$t_{pfall} \leq 300msec$$

2. If the power off flow cannot meet this specification, it's recommend to use the resistor shown as blow.



◆ A4 –EEPROM Burning Flow:



◆ A5 –Software coding flow:

void INITIAL_7687S_code (void)		
{		
//-----Disable Auto read -----//		
Write(COMMAND,0XD7);		// Disable auto read
Write(DATA,0x9F);		
//-----Read Data From EEPROM-----//		
Write(COMMAND,0xE0);		// EE control in
Write(DATA,0x00);		
delaysms(200);		// Delay 200ms
Write(COMMAND,0xE3);		// Read from EEPROM
delaysms(200);		// Delay 200ms
Write(COMMAND,0xE1);		// EEPROM control out
//----- Sleep OUT -----//		
Write(COMMAND, 0x28);		// display off
Write(COMMAND, 0x11);		// Sleep Out
delaysms(50);		//Delay 50ms
//-----Vop Setting-----//		
Write(COMMAND,0xC0);		//Vop setting
Write(DATA, 0x12);		//Vop = 14.56V
Write(DATA, 0x01);		// base on Module
//-----Set Register-----//		
Write(COMMAND,0xC3);		// Bias selection
Write(DATA,0x04);		// 1/8 Bias
Write(COMMAND,0xC4);		// Booster setting
Write(DATA,0x07);		// Booster X 8
Write(COMMAND,0xE8);		// Low voltage mode setting
Write(DATA,0x8D);		//
Write(DATA,0x0D);		//
Write(DATA,0x1C);		//
Write(COMMAND,0xCB);		// Vg source control
Write(DATA,0x01);		// Vg from 2xVdda
Write(COMMAND,0x36);		// Memory data access control
Write(DATA,0x80);		//

Write(COMMAND,0xB5);		// N-line Setting
Write(DATA,0x04);		//
Write(COMMAND,0xBD);		//cross talk compensation setting
Write(DATA,0x04);		//
Write(COMMAND,0xD0);		// Analog circuit setting
Write(DATA,0x1D);		//
Write(COMMAND,0x25);		// Write Contrast
Write(DATA,0x3F);		//
Write(COMMAND,0x3A);		// Interface Pixel Format
Write(DATA,0x05);		//16bits/pixel
Write(COMMAND,0xB0);		//Display Duty Setting
Write(DATA,0x7F);		// Duty = 128 duty
Write(COMMAND,0x2A);		// Column address setting
Write(DATA,0x00);		// 0~127
Write(DATA,0x7F);		
Write(COMMAND,0x2B);		// Row address setting
Write(DATA,0x00);		// 0~127
Write(DATA,0x7F);		
void gamma (void);		
void TC_setting (void);		
Write(COMMAND,0x29);		// Display On
}		

//-----Set Gamma-----//		
void gamma (void)		
{		
Write(COMMAND,0xF9);		// Set frame RGB value
Write(DATA,0x00);		
Write(DATA,0x02);		
Write(DATA,0x04);		
Write(DATA,0x06);		
Write(DATA,0x08);		
Write(DATA,0x0A);		
Write(DATA,0x0C);		
Write(DATA,0x0E);		

```

Write(DATA,0x10);
Write(DATA,0x12);
Write(DATA,0x14);
Write(DATA,0x16);
Write(DATA,0x18);
Write(DATA,0x1A);
Write(DATA,0x1C);
Write(DATA,0x1E);
}

```

```

//-----TC setting-----//
void TC_setting (void)
{
Write(COMMAND,0xF4); //TC setting
Write(DATA,0xFF);
Write(DATA,0x49);
Write(DATA,0x23);
Write(DATA,0x02);
Write(DATA,0x00);
Write(DATA,0x42);
Write(DATA,0x75);
Write(DATA,0x87);
}

```

```

void Fine_Tune_Vop(void)
{
//----- Show Map -----
Show_Image(); //Display a image
//----- Display ON -----
Write(COMMAND, 0x29 ); // Display On
//-----Fine tune Vop offset-----
Write( COMMAND, 0xC1); //Fine tuning Vop here by command
or //0xc1(VopOffsetInc),0xc2(VopOffsetDec).
Write( COMMAND, 0xC2);
}

```

```

void Erase_EEPROM_7687S (void)

```

```

{
//-----display off-----//
Write(COMMAND,0x28); //Display off
delayms(50); // Delay 50ms
//-----EEPROM Erase mode-----//
Write(COMMAND,0xF0); // Frame Freq. in Temp range A,B,C and D
Write(DATA, 0x12);
Write(DATA, 0x12);
Write(DATA, 0x12);
Write(DATA, 0x12);

Write(COMMAND,0xE5); // Programmable rom setting
Write(DATA, 0x0F);

Write(COMMAND,0xE0); //EEPROM control in
Write(DATA, 0x20);
delayms(100); //Delay 100ms

Write(COMMAND,0xFA); //EEPORM Erase mode
Write(DATA, 0x0C);
delayms(100); //Delay 100ms

Write(COMMAND,0xFB); // Erase EEPORM
delayms(250); //delay 250ms

Write(COMMAND,0xE1); //EEPROM control out
}

```

```

void EEPwrite_7687S (void)
{
//-----display off-----//
Write(COMMAND,0x28); // Display off
delayms(50); // Delay 50ms
//-----EEPROM write mode-----//
Write(COMMAND,0xF0); // Frame Freq. in Temp range A,B,C and D
Write(DATA, 0x12);
Write(DATA, 0x12);
Write(DATA, 0x12);
}

```

Write(DATA, 0x12);		
Write(COMMAND,0xE5);		// Programmable rom setting
Write(DATA, 0x0F);		
Write(COMMAND,0xE0);		//EEPROM control in
Write(DATA, 0x20);		
delayms(100);		//Delay 100ms
Write(COMMAND,0xFA);		// EEPROM Function selection
Write(DATA, 0x0A);		
delayms(100);		//Delay 100ms
Write(COMMAND,0xE2);		// Write to EEPROM
delayms(250);		//delay 250ms
Write(COMMAND,0xE1);		//EEPROM control out
}		

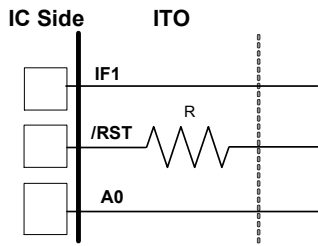
Note:

- #1 If the Vop and display performance is not suitable after burning EEPROM · the Vop has to fine tune again.
- #2 In this section "+" & "-" key button, please execute Write(COMMAND,0xC1) to increase one step at Vop and execute Write(COMMAND,0xC2) to decrease one step at Vop, if necessary.
- #3 The TC is turn on in burning flow. If LCD module is too dark or bright, it's an effect of backlight.

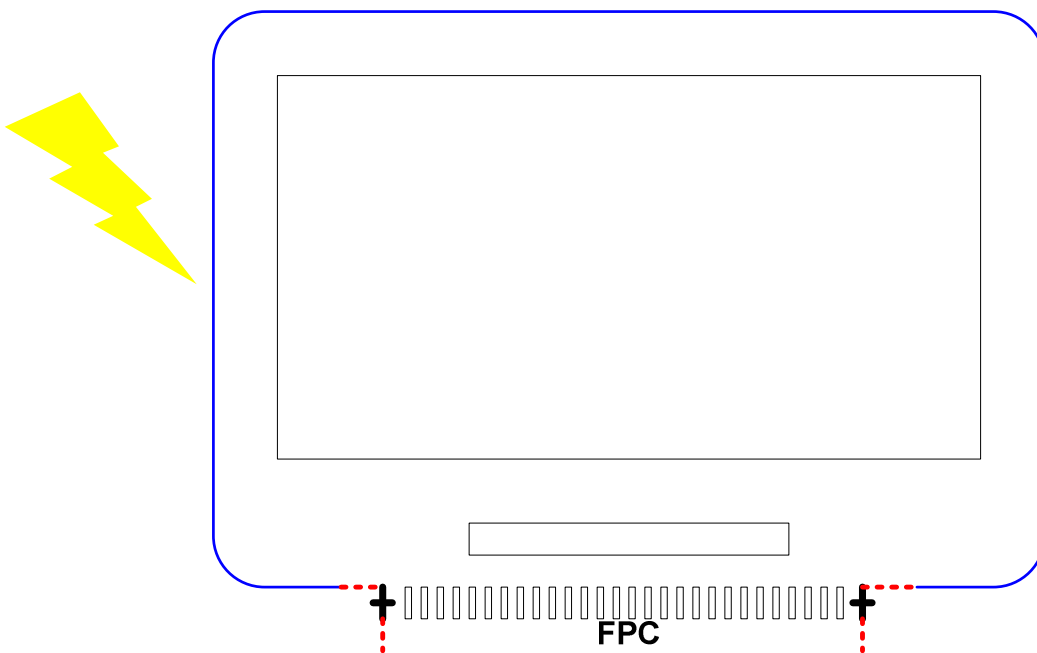
◆ A6 –ESD Protection:

- For ESD protection of the LCM, here are some recommendations:

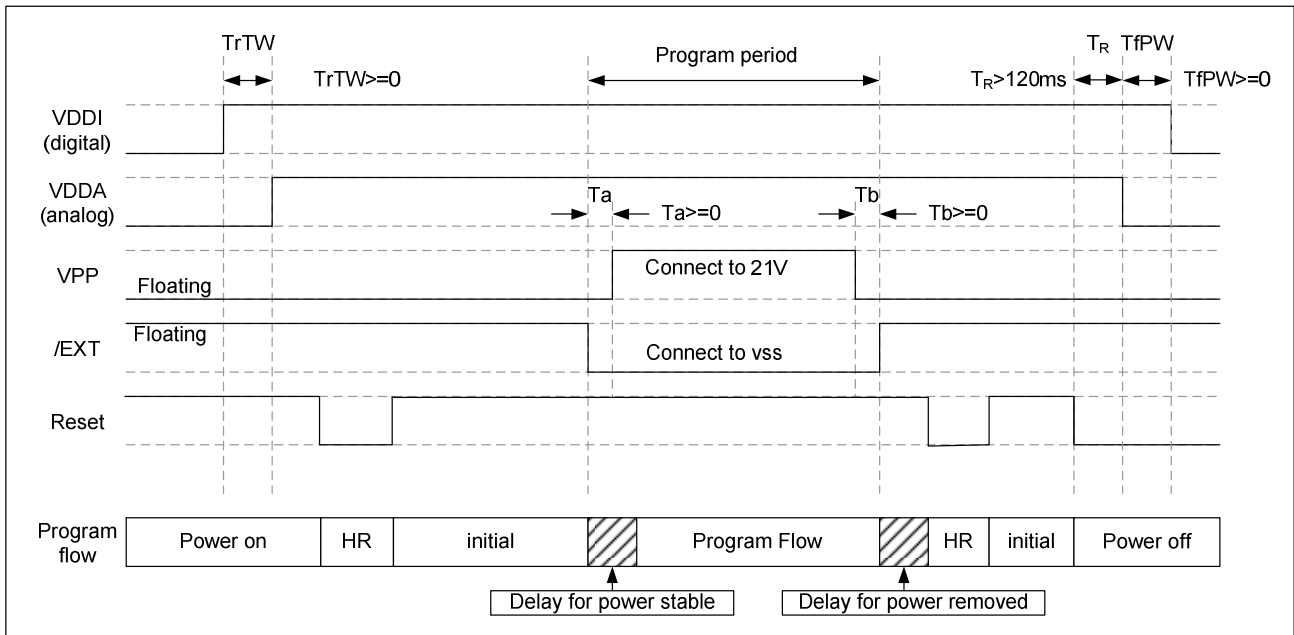
1. RST (Reset pin): Please increase the resistance of this pin.



2. ESD Protection Ring: “Shielding Ground” is the first protection of ESD. By connecting the “Blue” (ITO) ring to the FPC, the protection ring is finished.



◆ A7 –Timing sequence of each power level in initial and program flow:

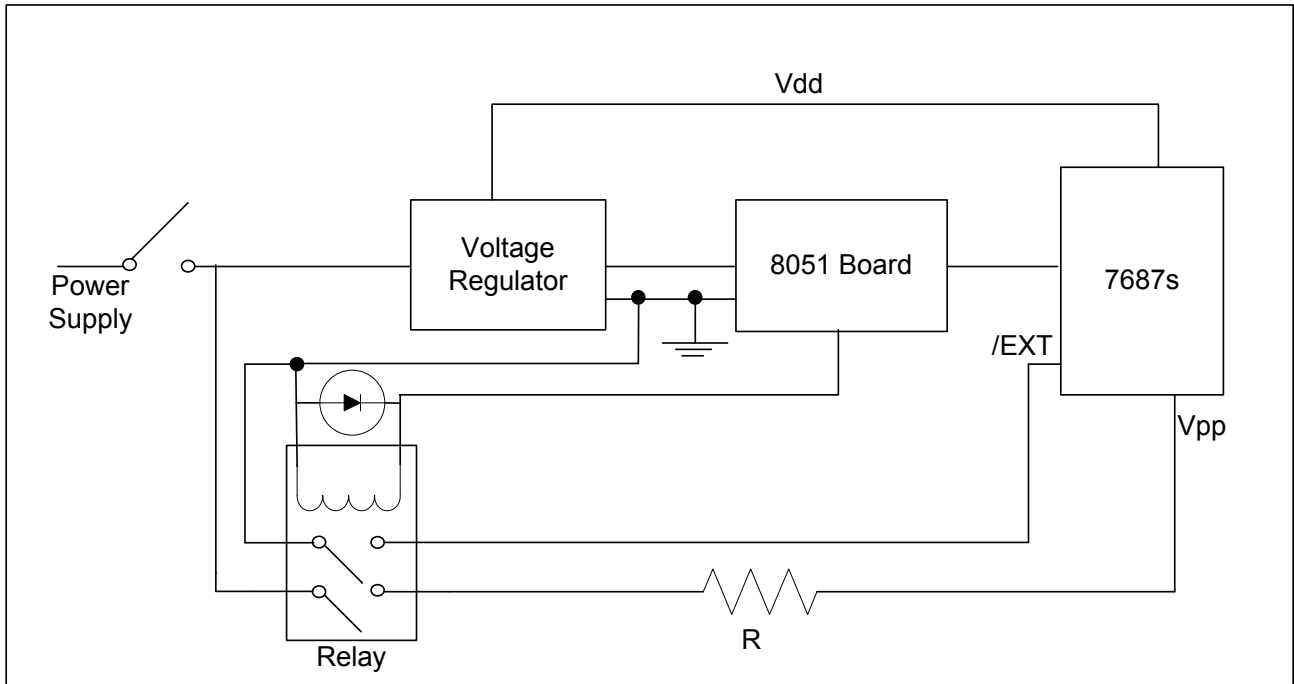


Note:

#1 VPP pad can have 21V only when Vddi and Vdda have power.

#2 Reset signal can not be low level in program period.

◆ A8 –Suggestion circuit:



Note:

#1 In order to accomplish VPP pad have 21v only when vddi and vdda have power and /ext pad connect to vss in programming period, the EEPROM programming system suggestion is shown above that use relay controlled by mcu to achieve controlling VPP and /ext power level by software.

#2 Resistor R between relay and VPP pad can weaken the power of glitch generated from switch bounce. Suggestion value of R is about 400Ω~600Ω.

ST7687S Serial Specification Revision History		
Version	Date	Description
0.x		Preliminary version
1.0	2008/12	First issue
1.1	2009/1	Fix type error in command 0xE5
1.2	2009/6	Modify the voltage of VPP from 18v to 21v and regonized as ST7687S-G4-2.
1.3	2009/8	Specify command 0xEC
1.4	2009/10	Specify the height and hardness of ST7687S-G4-3